

INSTALL INSTRUCTIONS C-VSW-1014-RAM-2 Vehicle Specific Console with 24" inches Equipment space

**For Ram 5th Generation body style Trucks with 40/20/40 seats
2019-2026 Ram 1500 Pickup Truck (5th gen- Body Code DT)
****Does not fit RAM TRX or RHO trims******

Note:

Console mounts to OEM seat brackets when center /20/ seat section is removed.

TOOLS NEEDED:

Phillips Screw Driver	Wire Cutters	Wire Crimping tool
Socket set (Standard & Metric)	Open End wrench set	T-20 Torx bit

INSTALLATION PARTS AND MOUNTING HARDWARE:

<u>QTY</u>	<u>DESCRIPTION</u>	<u>PART #</u>
2	Speaker grill	23047
1	Pole knockout / AUX filler panel	27166
1	Floor trim / Passenger side front	41652
1	Floor trim / Drivers side front	41651
2	Floor trim / Rear	41653
1	Switch blank (C-SW-B)	14000
8	#10-16 X 3/8, Screw	16548
1	1-1/8" Dome plug	15804
1	Hex Nut Kit	25520

ALWAYS!

- * Read all Instructions before installing any Havis, Inc. products.
- * Use Hardware included with install kit

**C-VSW-1014-RAM-2
(Assembly)**

Console comes with the following shipped loose:

- 1 - 15804 (GSM20017-1) 1-1/8" hole plug
- 1 - 14000 (C-SW-B) Switch blank
- 1 - 41652 Floor trim / Passenger side front
- 1 - 41651 Floor trim / Drivers side front
- 2 - 41653 Floor trim / Rear

**Console comes with the following
Pre-installed in crossbar:**

- 2 - 25834 12 volt socket
- 1 - 13852 (CMC-E2) Harness for dual 12v sockets
- 1 - 15804 (GSM20017-1) 1-1/8" hole plug
- 3 - 14000 (C-SW-B) Switch blank

27166
Pole knockout / AUX
filler panel

23047
Speaker grill

41651
Drivers side
Forward Trim
Panel

41653
Rear Trim
Panels

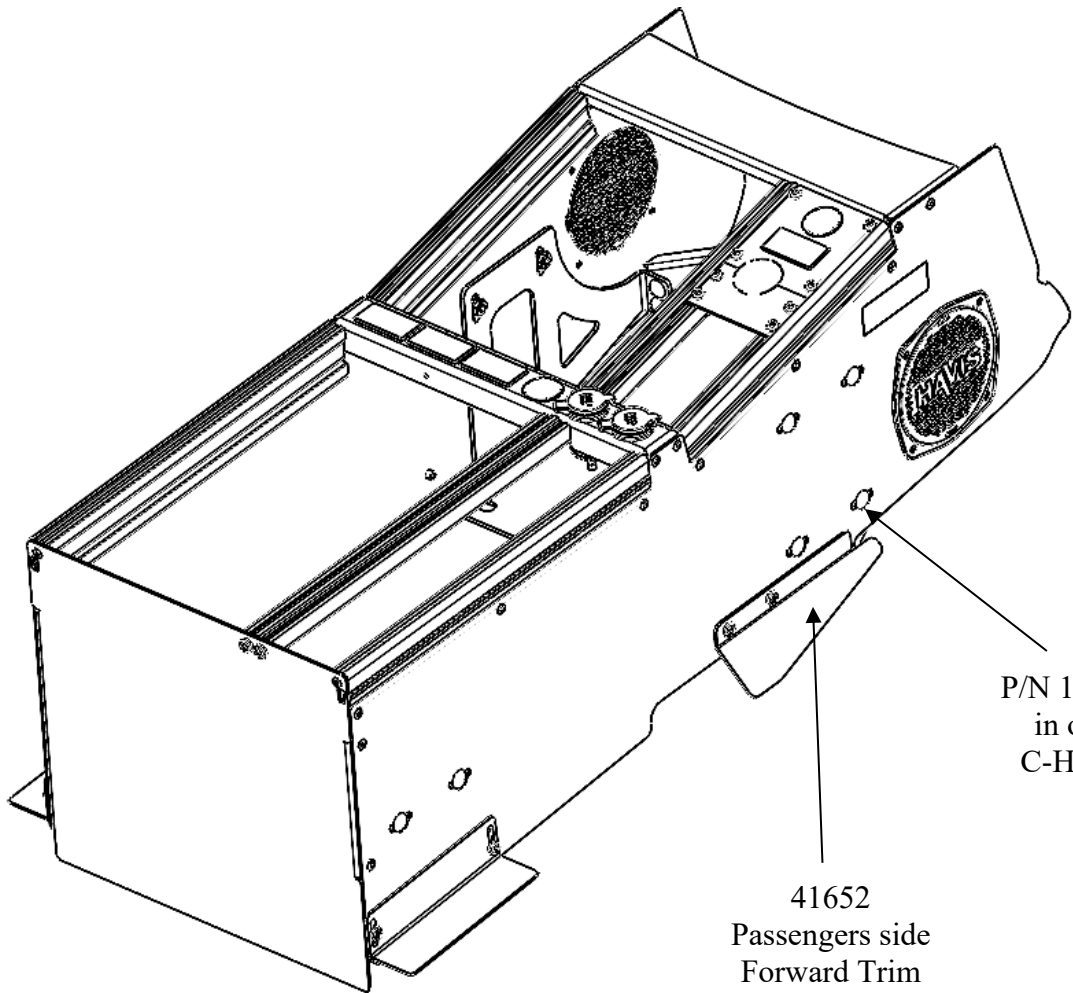
Main Console Housing

Note:

Newer style plastic speaker grills snap into the large holes in the side of console. Grill mount hardware is only required if attaching speaker on the inside of grill.

Hardware not provided.

Recommended Hardware:
(4x) #8 Keps nuts, (4x) 8-32
x 3/4" screws



P/N 16223 used
in optional
C-HDM-214

41652
Passengers side
Forward Trim
Panel



View of OEM interior prior to installation of C-VS-1014-RAM-2 console.



Remove center seat and front accessory pocket.



****Be careful not to damage OEM plugs and harnesses on transmission hump****



Carefully place console housing into vehicle on top of OEM center seat brackets.



Position console up against lower center dash



Attach console floor brackets to OEM seat mount points utilizing stock seat bolts



Optional C-HDM-214 pole can be installed at this time using the existing P/N 16223 (1/4" x 3/4" carriage bolts) in the side of console. Remove round knockout in pole face plate and attach plate to console around



Console housing installed and ready to complete wiring, control head, and accessory installation. Slide P/N 25520 (1/4-20 hex nuts) (provided) into side extrusions as needed for side mounted accessories



Attach trim panels front and rear on both sides of console with supplied P/N 16548 (10-16 X 3/8 screws). Adjust to cover edges of carpet. This should be done after console is installed