

INSTALLATION INSTRUCTIONS Vehicle Specific Console C-VSW-1700-F150-PM-3 or C-VSW-1700-F150-PM-4

17" inches of Equipment space with mount for Brother Pocket Jet Printer

**For 2021-2026 for Ford F-150 Responder and SSV Pickup
 2023-2026 Ford F-250, 350, 450 XL and XLT Super Duty pickup,
 F-450 & 550 cab chassis and F-600 Chassis Cab**

* Console does not work with 4 X 4 floor shifter or higher trim level trucks with full length center console*

TOOLS REQUIRED:

Phillips Screw Driver	Standard Socket set	T-20 Torx Bit
Metric Socket set	7/16" Wrench	

INSTALLATION PARTS AND MOUNTING HARDWARE:

<u>QTY</u>	<u>DESCRIPTION</u>	<u>PART#</u>
1	Ford small Aux panel adaptor	13071
1	Small Aux blank panel	13072
2	Speaker grill	23047
1	Rod for holding printer paper	12660
1	O-RING 1-9/16" ID X 1-3/4" OD X .093	16214
2	#8-18 X 3/8 PFHMS	16425
1	1/4" Hex nut kit	25520 (includes 12 nuts)
1	USB-A to 90° USB Mini-B extension cable	16934 for PocketJet 6 & 7 (C-VSW-1700-F150-PM-3)
OR		
1	USB-A to 90° USB-C extension cable (DS-DA-340)	37554 for PocketJet 8 (C-VSW-1700-F150-PM-4)

Parts already attached to console housing

1	Front floor mounting bracket	12884
1	Rear floor mounting bracket	26086
1	Front console trim panel	38459
1	Ford Pole knockout / AUX filler panel	12870
1	Electrical accessory mounting plate	12890

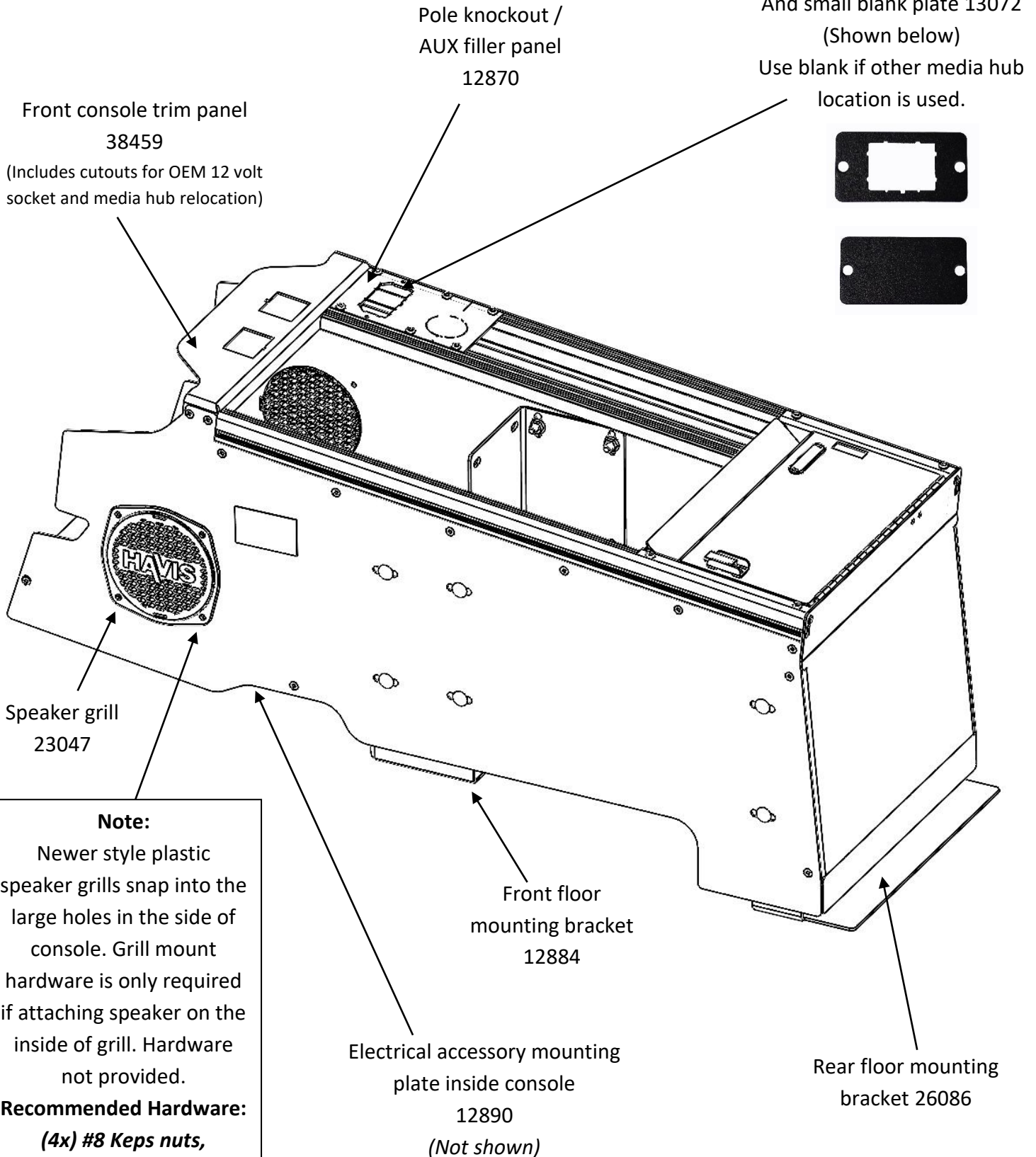
Note:

**Some images in this instruction do not show the actual printer mount console.
 However the installation process the same.**

Always!

- Read all instructions before installing any Havis, Inc. products.
- Use hardware provided with install kit

**C-VSW-1700-F150-PM-3
Assembly**

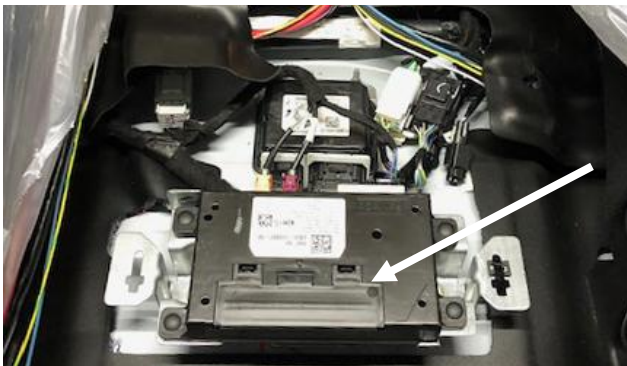


Note:
Newer style plastic
speaker grills snap into the
large holes in the side of
console. Grill mount
hardware is only required
if attaching speaker on the
inside of grill. Hardware
not provided.
Recommended Hardware:
(4x) #8 Keps nuts,
(4x) 8-32 x 3/4" screws



Remove factory center seat or mini console.
Note: Seat belts (for center seat) must be left in vehicle and plugged back into OEM harness. Wire tie seat belts out of the way as desired.

Unbolt factory bolts and save for later.
18mm socket



NOTE: Some vehicles include an OEM SmartLink / Telematics module mounted to transmission hump using the same bolts needed for the rear console bracket.

The OEM module must be unbolted and simply relocated under console by installer as desired. Relocating OEM module will not affect OEM system.

Remove OEM AUX module from dash and save to be reused.



Place console with floor mount brackets into the vehicle.
Shown with optional 3.3 wide panels and pocket.

Slide console forward until the mounting brackets line up with the OEM mounting points in floor.



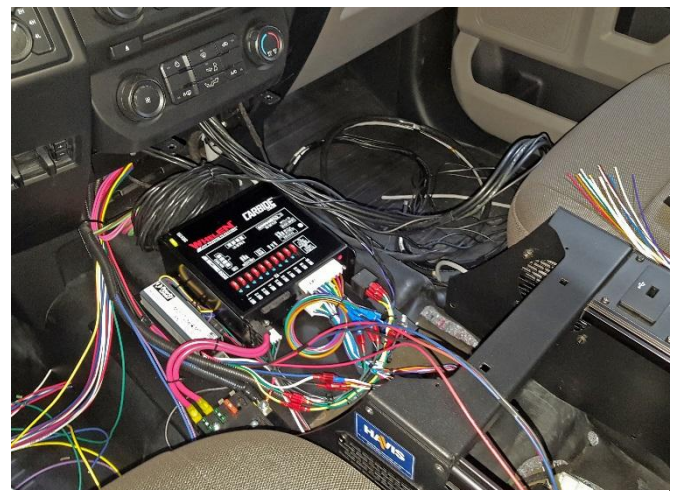
Loosely reinstall factory floor bolts through console floor brackets.



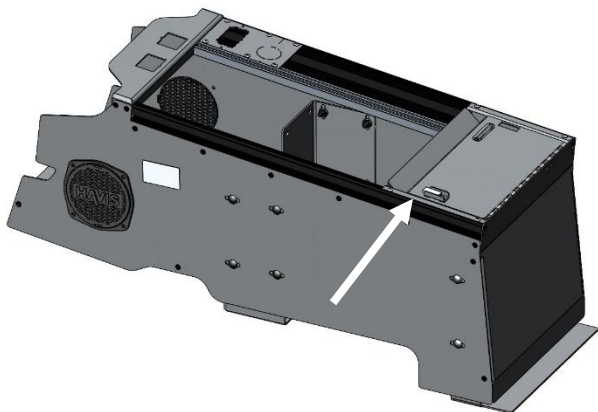
Install OEM AUX module into the console. Adaptor plate with #8 flat head screws provided for smaller Aux module. Blank plate provided if vehicle has no module for this location.



Install 1/4-20 hex nuts into side slots as desired for side mounted accessories. Install and wire equipment as desired.



Electrical accessory mounting plate shown. Unbolting and sliding console back for component installation is recommended.



Pull USB and power cables through openings at the left of the printer mount bracket. Plug them into their respective locations and install printer into the mount. Insert rod through paper spool and place into the console.



Console installation complete.