

Owner's Manual

Havis IP Rated Docking Station & Tablet Cases

For Dell Latitude 7030/7230 Rugged Extreme Tablet

DS-TAB-310 Series

DS-TAB-311

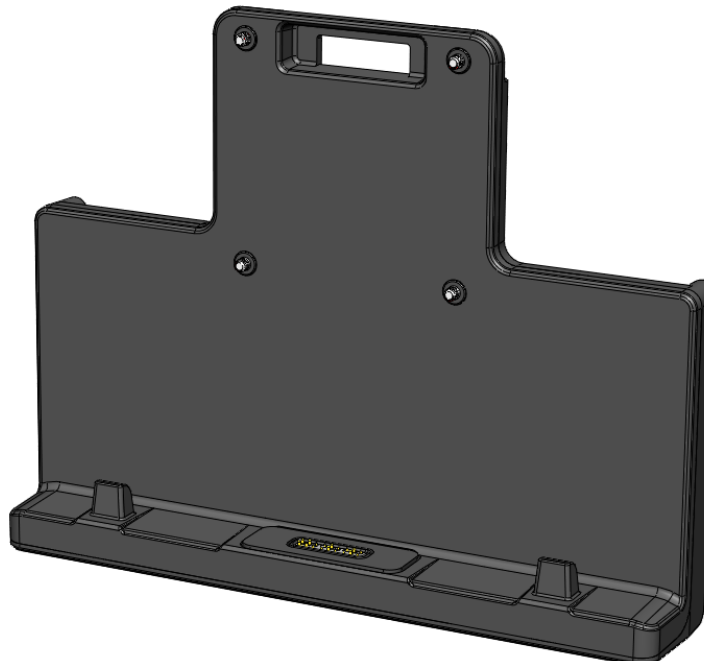
DS-TAB-312



TA-100 Series

TA-101

TA-102 (Not Shown)



DS-TAB-310^TA-100-SERIES_OMN_05-26

Before Beginning

Havis is pleased to provide this Owner's Manual to aid in the proper installation and use of the DS-TAB-310 Series Docking Stations and TA-100 Series Tablet Accessories.

For questions regarding the set-up of your DS-TAB-310 Series Docking Station or TA-100 Series Tablet Accessories, please contact Havis at 1-800-524-9900 or visit www.havis.com for additional product support and information.

WARNING

AVERTISSEMENT

- NEVER STOW OR MOUNT THE DOCKING STATION DIRECTLY IN A VEHICLE AIRBAG DEPLOYMENT ZONE.
- DO NOT USE THE COMPUTER WHILE DRIVING.
- DO NOT PLACE METAL OBJECTS OR CONTAINERS OF LIQUID ON TOP OF THE DOCKING STATION.
- IF A MALFUNCTION OCCURS, IMMEDIATELY UNPLUG THE POWER SUPPLY AND REMOVE THE TABLET.
- NE JAMAIS PLACER OU MONTER LA STATION D'ACCUEIL DIRECTEMENT DANS LA ZONE DE DÉPLOIEMENT DES COUSSINS GONFLABLES D'UN VÉHICULE.
- NE PAS UTILISER L'ORDINATEUR EN CONDUISANT.
- NE PLACEZ PAS D'OBJETS MÉTALLIQUES OU DE CONTENANTS DE LIQUIDE SUR LE DESSUS DE LA STATION D'ACCUEIL.
- EN CAS DE DYSFONCTIONNEMENT, DÉBRANCHEZ IMMÉDIATEMENT LE BLOC D'ALIMENTATION ET RETIREZ LA TABLETTE.

CAUTION

ATTENTION

- READ ALL INSTRUCTIONS THOROUGHLY BEFORE BEGINNING INSTALLATION.
- DO NOT STORE, INSTALL, OR OPERATE THE DOCKING STATION WHERE WATER, MOISTURE, STEAM, DUST, ETC. ARE PRESENT
- DO NOT CONNECT DIRECTLY TO VEHICLE VOLTAGE SOURCE: This product requires a certified, automotive grade, Dell/Havis approved power supply with a 19.5 V power output, such as the LPS-185, or an appropriate isolated power supply such as the LPS-186 or LPS-187. Failure to comply with this requirement will cause product damage that is NOT repairable and is NOT covered under warranty.
- USE ONLY THE SPECIFIED POWER SUPPLY WITH THIS DOCKING STATION.
- DO NOT CONNECT CABLES INTO PORTS OTHER THAN WHAT THEY ARE SPECIFIED FOR.
- DO NOT LEAVE THE DOCKING STATION IN A HIGH TEMPERATURE ENVIRONMENT (GREATER THAN 85°C, 185°F) FOR AN EXTENDED PERIOD OF TIME.
- LISEZ ATTENTIVEMENT TOUTES LES INSTRUCTIONS AVANT DE PROCÉDER À L'INSTALLATION.
- NE PAS ENTREPOSER, INSTALLER OU UTILISER LA STATION D'ACCUEIL DANS UN ENDROIT OÙ L'EAU, L'HUMIDITE, LA VAPEUR, LA POUSSIERE, ETC. SONT PRÉSENTS.
- NE PAS CONNECTER DIRECTEMENT A LA SOURCE DE TENSION DU VÉHICULE : Ce produit requiert un source de courant certifié, de qualité automobile et approuvé par Dell/Havis, pour une puissance de sortie de 19.5 V, comme le LPS-185, ou une alimentation isolée appropriée comme le LPS-186 ou le LPS-187. Le non-respect de ces exigences entraînera des dommages au produit qui ne seront PAS réparables et ne seront PAS couverts par la garantie.
- UTILISER UNIQUEMENT LE BLOC D'ALIMENTATION SPÉCIFIÉ AVEC CETTE STATION D'ACCUEIL
- NE PAS BRANCHER DE CÂBLES DANS D'AUTRES PORTS QUE CEUX AUXQUELS ILS SONT DESTINÉS.
- NE LAISSER PAS LA STATION D'ACCUEIL DANS UN ENVIRONNEMENT À HAUTE TEMPÉRATURE (PLUS DE 85°C, 185°F) POUR UNE PÉRIODE PROLONGÉE.

NOTICE

AVIS

- DO NOT CONNECT THE TABLET TO MULTIPLE POWER SUPPLIES. PRIOR TO DOCKING THE TABLET INTO THE DOCKING STATION, ENSURE THAT THERE IS NO POWER CABLE ATTACHED TO THE TABLET.
- THE IP66 RATING APPLIES TO THE INTENDED USE CONFIGURATION OF THE DOCKING STATION PAIRED WITH THE TA-100 SERIES TABLET ADAPTER.
- NE CONNECTEZ PAS la tablette à plusieurs sources d'alimentation. Avant d'insérer la tablette dans la station d'accueil, assurez-vous qu'aucun câble d'alimentation n'est branché à la tablette.
- L'indice de protection IP66 s'applique à la configuration d'utilisation prévue de la station d'accueil, associée à l'adaptateur pour tablette de la série TA-100.

Product Compatibility

Tablet	TA-100 Tablet Accessory	DS-TAB-311 Docking Station (External Power)	DS-TAB-312 Docking Station (Internal Power)
Dell Latitude 7230 Rugged Extreme Tablet	TA-101	PKG-DELL-1011	PKG-DELL-1012
Dell Latitude 7030 Rugged Extreme Tablet	TA-102	PKG-DELL-1211	PKG-DELL-1212

Specifications

DS-TAB-310 Series

(TA-100 Series Specifications vary by model)

Docking Station Information	Configuration	Description	Power Options	Dock Input Voltage Requirement
	DS-TAB-311	Standard Electronics	External Power Supply	19.5 (± 5%) VDC
	DS-TAB-312	Standard Electronics with Internal Power Supply	DS-DA-339 Power Cable	9-36 VDC
Dimensions	9.58" (24.3 cm) H x 8.43" (21.41 cm) W x 2.34" (5.94 cm) D			
Weight	1.83 lbs. (0.83 kg)			
Operating Environment	-30° C to 55° C (-22° F to 131° F)			
Storage Environment	-40° C to 85° C (-40° F to 185° F)			
Ingress Rating	IP66			

Computer Set-Up and Port Specifications

ITEM	DESCRIPTION	SUPPLIER	DOWNLOAD LINK	Version	Specification
1	Serial Port	MaxLinear	https://www.maxlinear.com/document/index?id=23338&languageid=1033&type=Software%3A%20Drivers&partnumber=XR21B1411	Ver 2.7.0.0 for Windows (or later)	Pin 9 (5V/1A)
2	Rear USB (3x)	Microchip	WIN OS PnP	-	USB 2.0 (5V/1.5A)
3	Ethernet	Microchip	https://www.microchip.com/en-us/software-library?swsearch=LAN95xx%20%20LAN97xx%20Windows%20(OneCore)%20Device%20Drivers	Ver 18.12.18.0 for Windows (or later)	100 Mbps MAX

Parts Included (DS-TAB-310 Series)

Docking Station

Release Handle

Bumpers

Latch Hook

Front Hooks

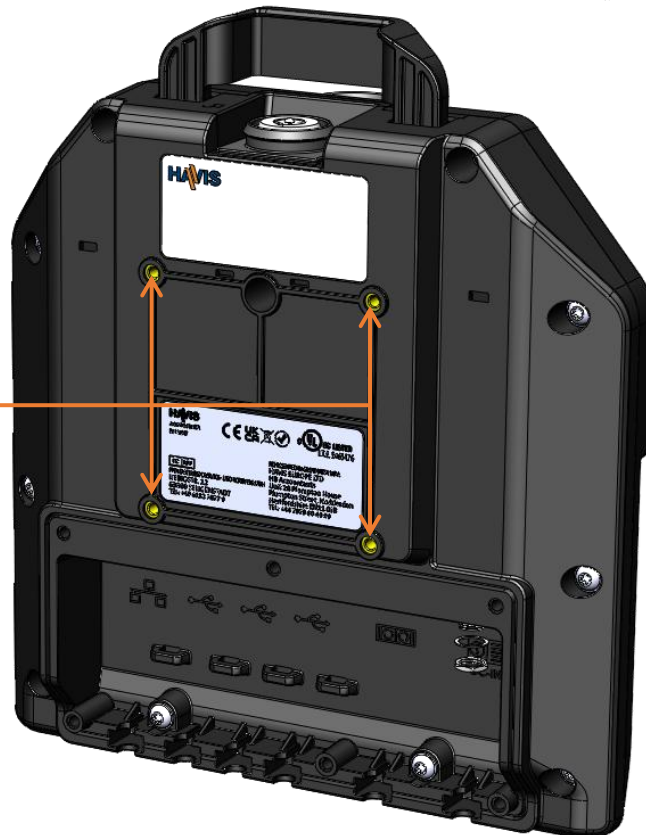
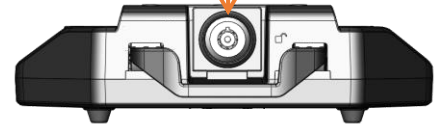
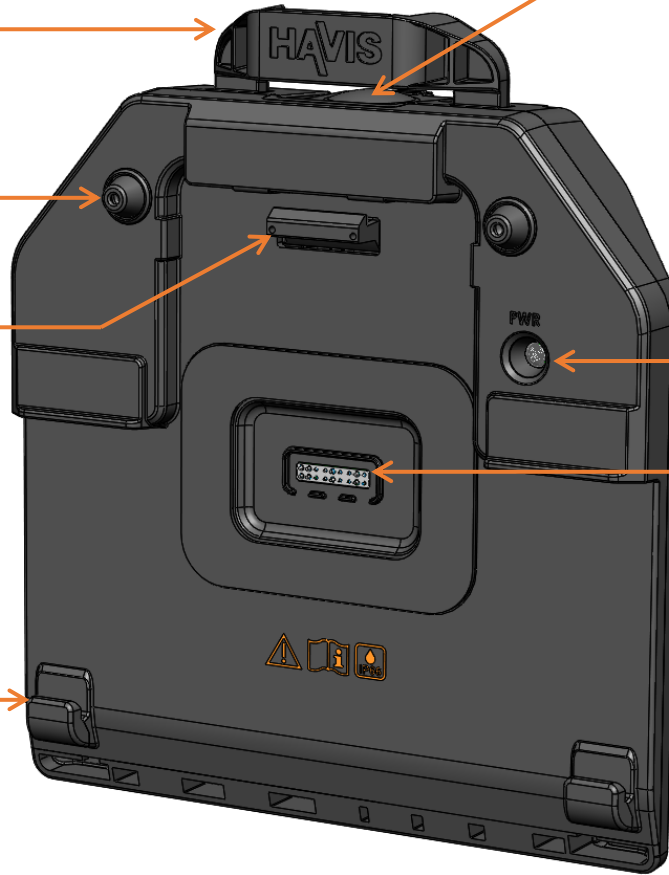
Barrel Lock & Lock Cover

LED Power Indicator

Docking Connector

Mounting Holes (x4)

(VESA 75mm Hole Pattern)

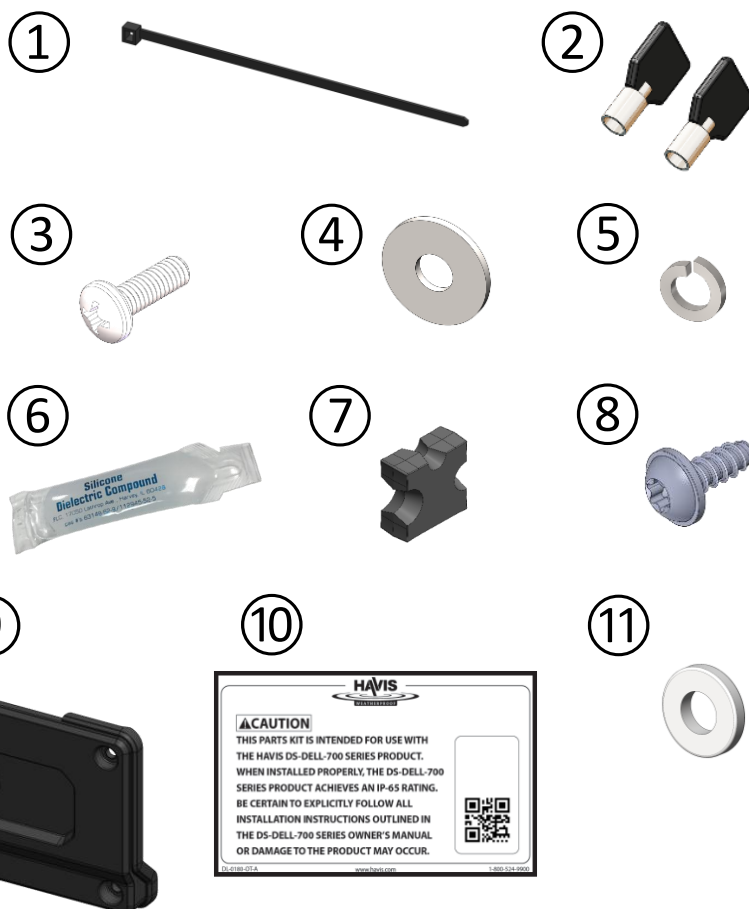


Parts Included (DS-TAB-310 Series) (continued)

Hardware Kit (30-012847)

This Hardware Kit includes:

1. Zip Ties (x5)
2. Keys (x2)
3. M4 x 0.7 x 12mm Long Screws (x5)
4. Flat Washers, M4 (x5)
5. Lock Washers, M4 (x5)
6. Grease Pack (x1)
7. Sealing Element (x12)
8. M4 Thread Forming Screw (x7)
9. IP66 Cable Cover
10. Caution Card
11. Rubber Washers, M4 (x7)



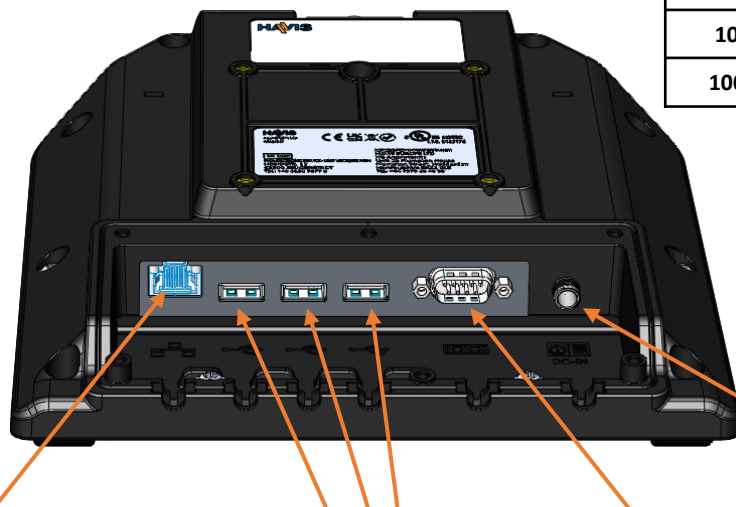
Tools required for installation:

- #2 Phillips
- T20 Torx

Port Replication Capability (DS-TAB-310 Series)

Downward Facing Ports

DS-TAB-311: External Power
DS-TAB-312: Internal Power



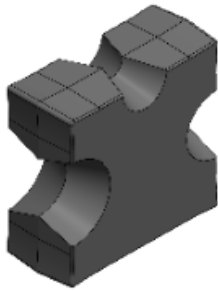
LAN Speed	Green LED (LINK)	Yellow LED (ACTIVITY)
10Mb/s	Green	Yellow Flashing
100Mb/s	Green	Yellow Flashing



- PXE feature is not supported.
- Wake-On-LAN (WOL) feature is not supported from S4/S5 states.

IP66 Cable Installation

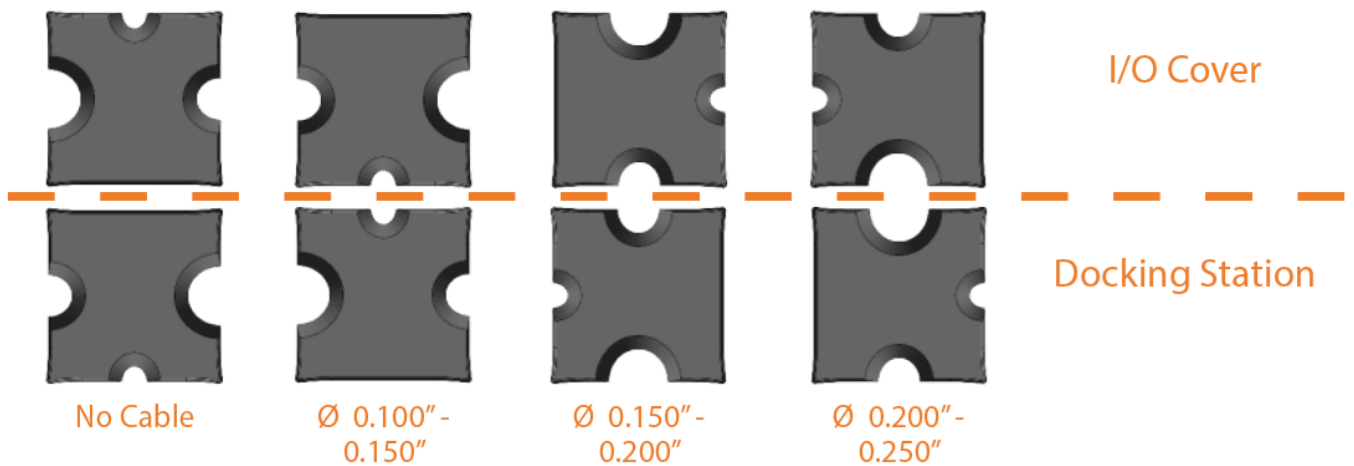
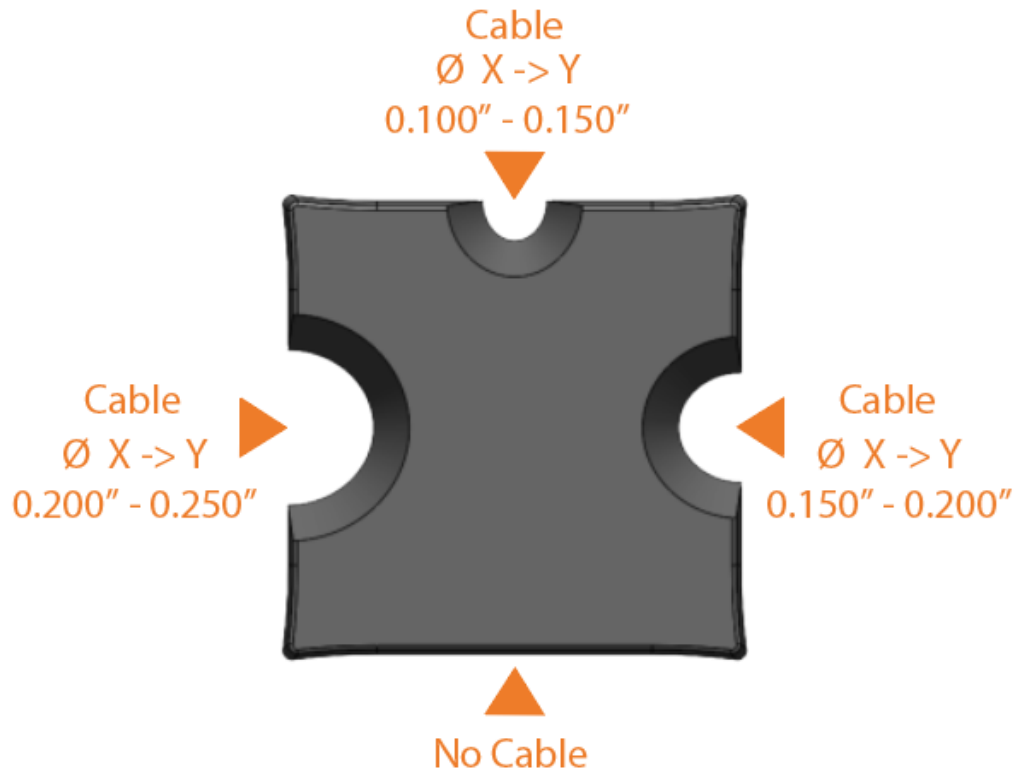
Sealing Element
(12 required for installation)



Grease Pack



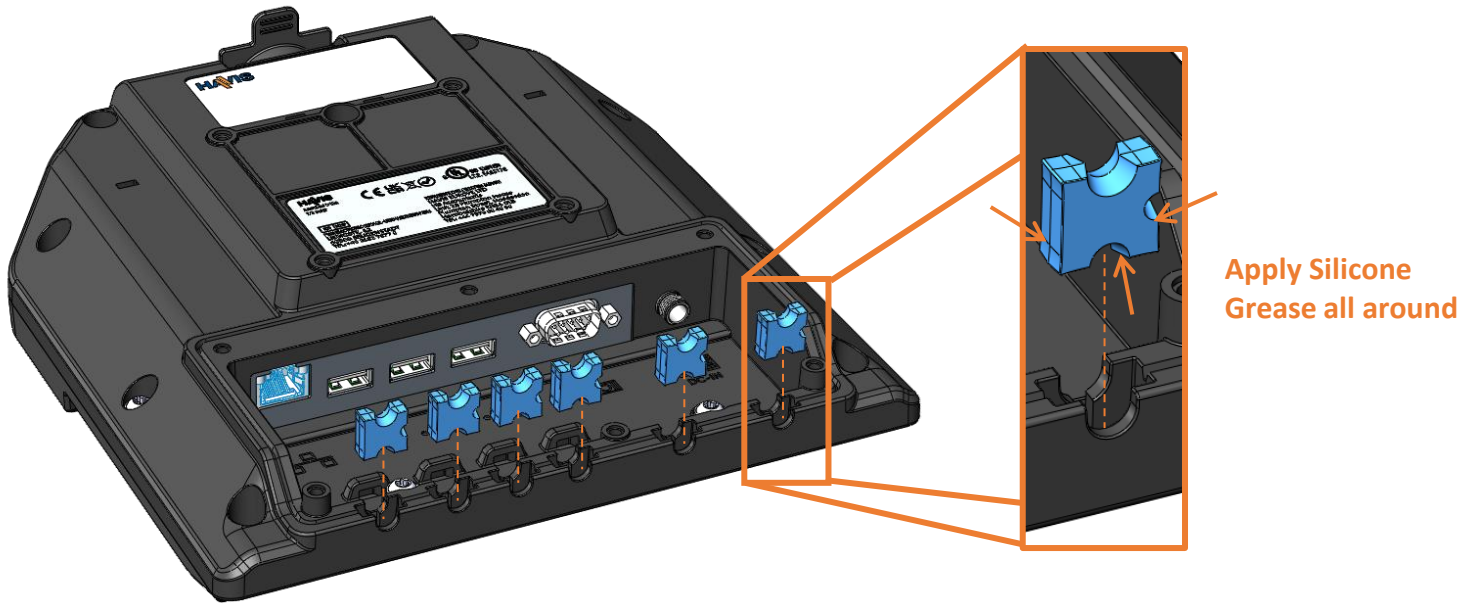
CAUTION
DO NOT INSTALL CABLES
GREATER THAN
 $\varnothing 0.250''$ OR SMALLER
THAN $\varnothing 0.100''$,
OR YOUR IP-65 SEAL
MAY BE COMPROMISED.



IP66 Cable Installation

- 1) Identify the number of peripherals to be connected and measure respective cable diameters.
- 2) Using Sealing Element sizing from Page 6, choose appropriate orientation and apply a small amount of provided Silicone Grease to the opposite side perimeter of the Sealing Element and insert into corresponding housing receptacle on the Docking Station, greased end first. Repeat for all Cable Channels. Sealing Elements are shown in blue for clarity.

NOTE: If no cable present, insert Sealing Elements as indicated on Page 6.



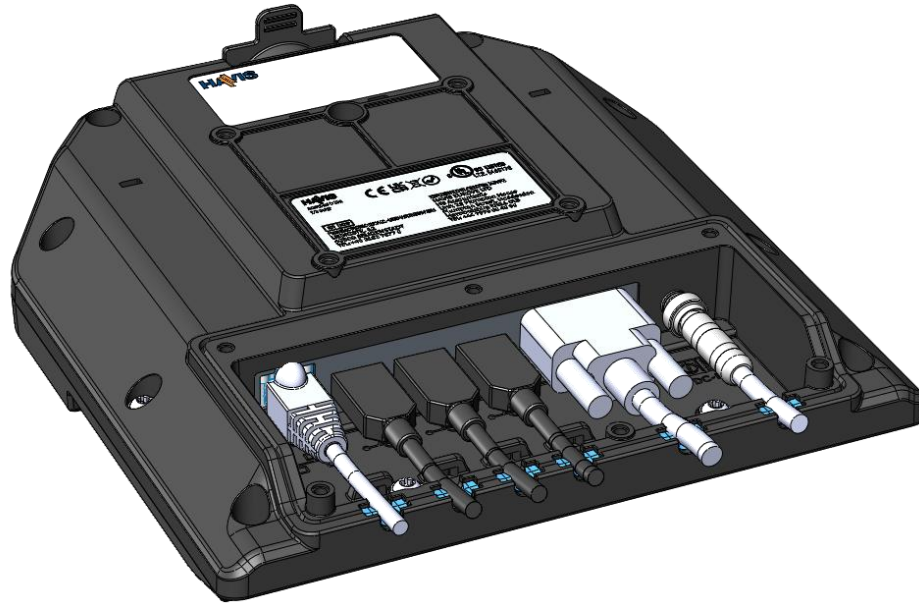
- 3) Apply Silicone Grease along the entire groove around the port cavity perimeter including the areas between the Sealing Elements, as highlighted below by the green line, to ensure a proper seal between the I/O Cover and the Docking Station.

WARNING: DO NOT APPLY GREASE TO SCREW HOLES OR DAMAGE MAY OCCUR.



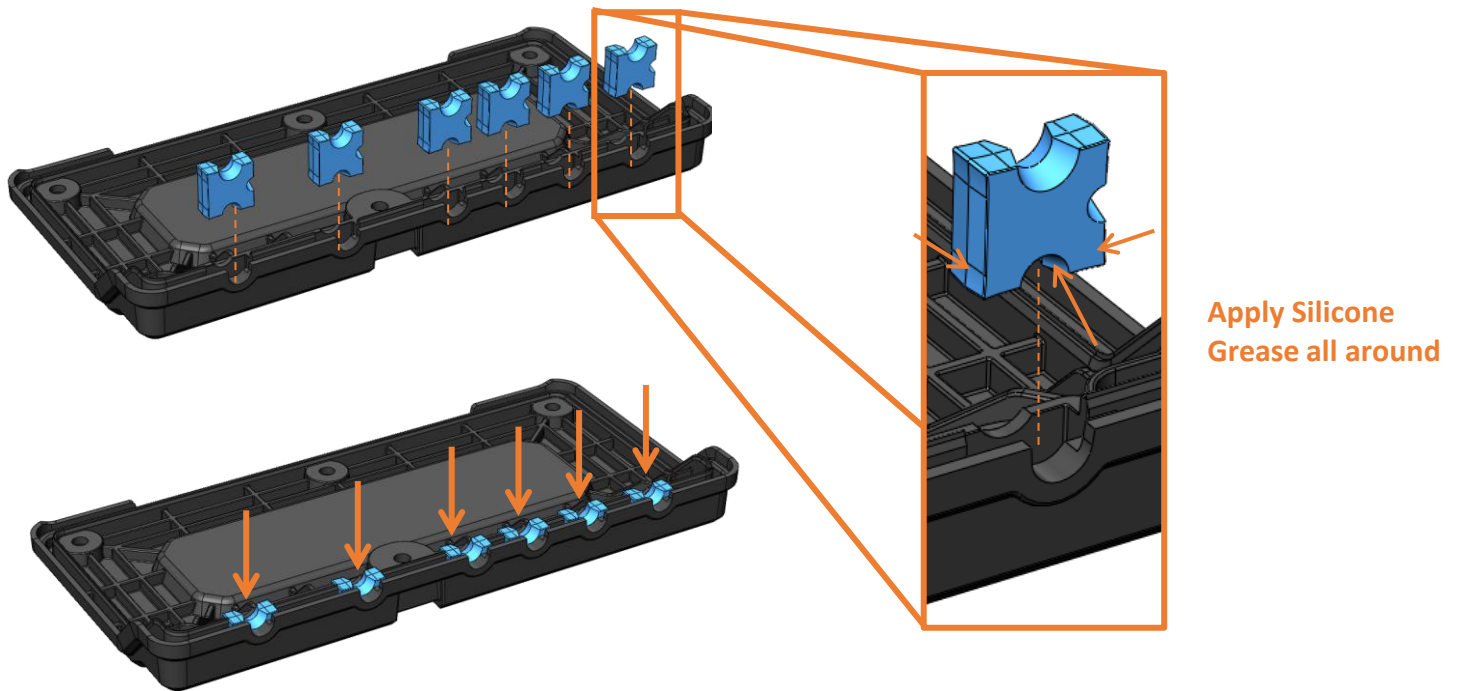
IP66 Cable Installation

- 4) Plug peripherals into Docking Station's available ports.
- 5) Position cables in the closest Cable Channel being careful not to cross cables and route as straight as possible.

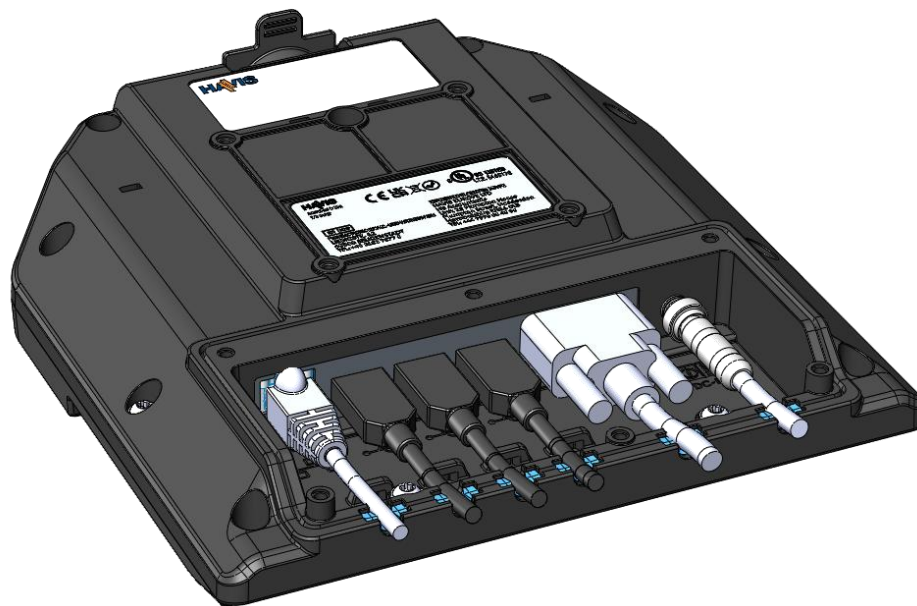


IP66 Cable Installation

- 1) Using the same Sealing Element orientation, insert a second Sealing Element into the I/O Cover at the same Cable Channel position. Repeat for all Cable Channels.



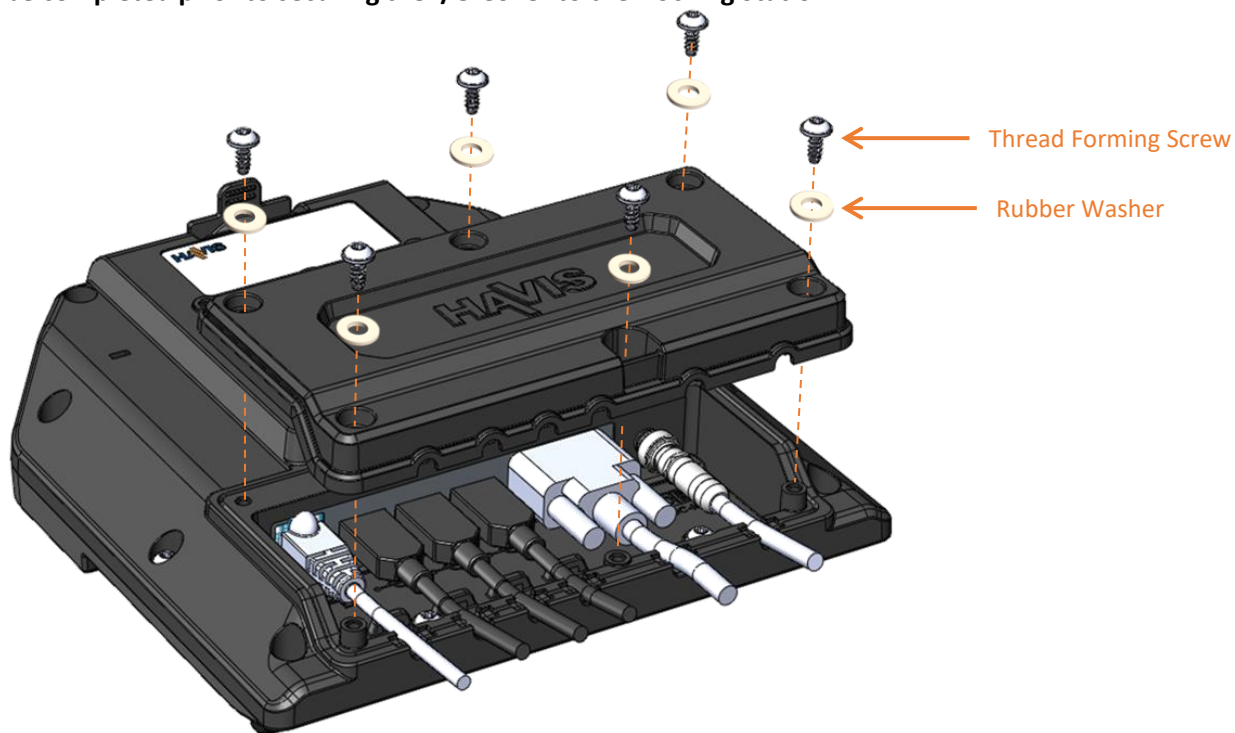
- 2) Before installing I/O Cover to Docking Station, ensure all Sealing Elements are fully seated and cables are aligned with Sealing Elements as shown.



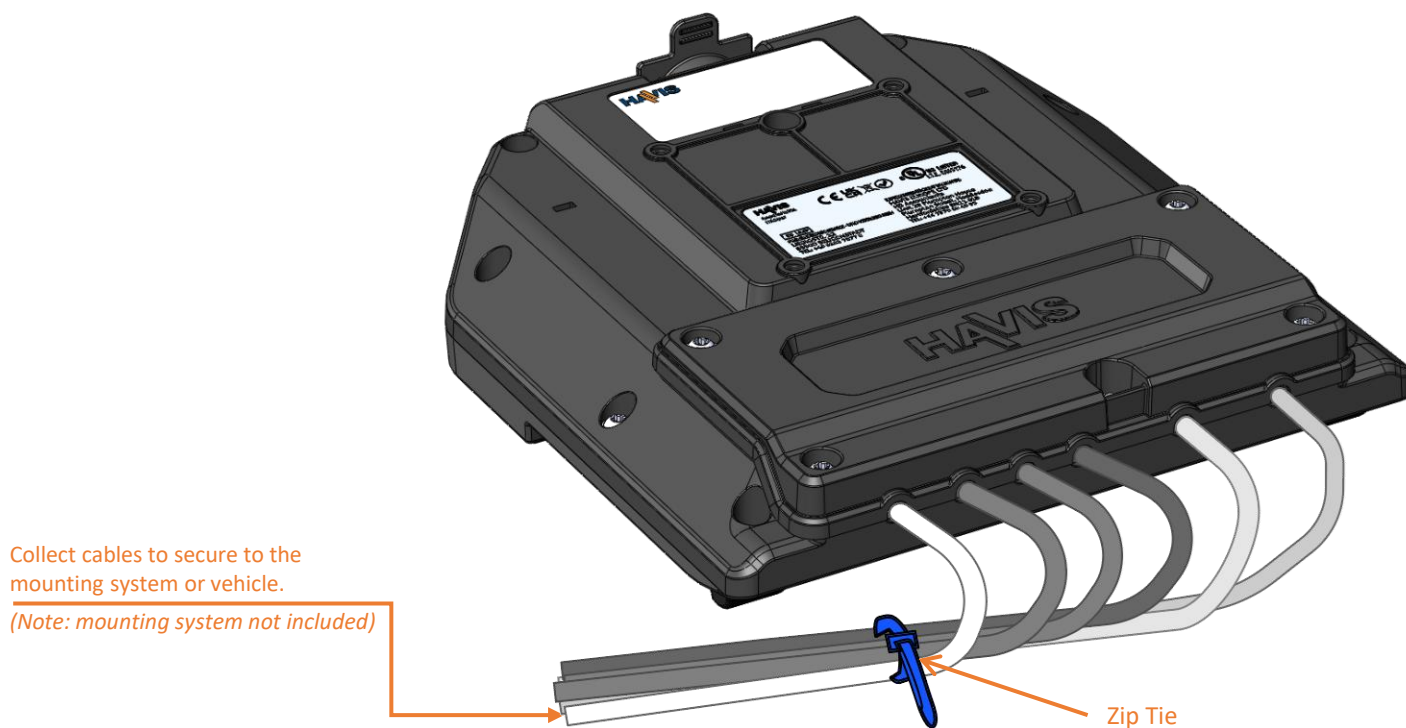
Cable Management (DS-TAB-310 Series)

- 1) Secure I/O Cover to Docking Station, being careful not to pinch cables. Use a T20 Torx bit (Not Included) and Thread Forming Screws with the Rubber Washers included. Torque to 8 – 10 in-lbs (0.9 – 1.1 Nm).

Note: In order for the solution to meet its IP66 rating, IP66 Cable Sealing Installation (see pages 6 - 9) must be completed prior to securing the I/O Cover to the Docking Station.



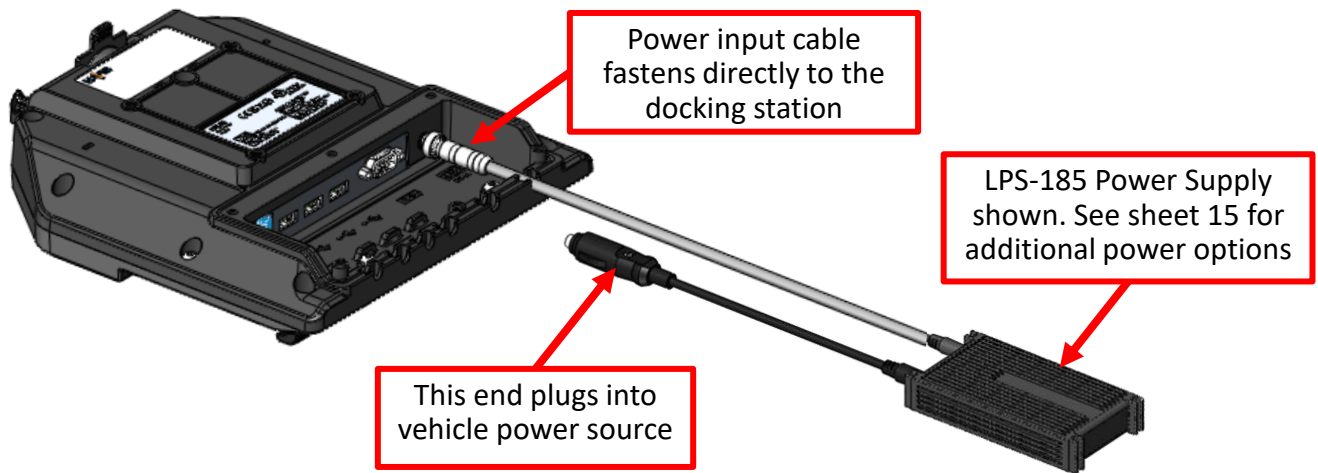
- 2) Create a service loop with cables to ensure that no tension is on the connectors and to enable intended motion.
- 3) Tie off cables onto a stationary part of the mounting system or vehicle.



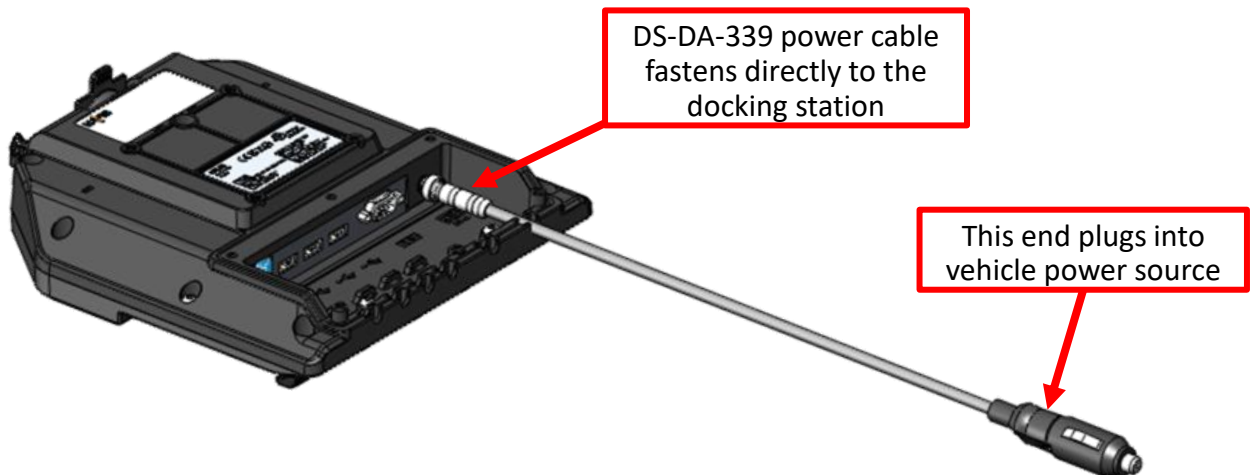
Power Input Configuration

There are two different power supply options for the DS-TAB-310 Series Docking Station. Below are diagrams showing the power input set up for each specific configuration of the dock.

External Power Supply Configurations DS-TAB-311



Internal Power Supply Configurations DS-TAB-312



*** For clarity, all input/output power cables are shown shorter than their actual lengths

NOTICE

AVIS

DO NOT CONNECT ANY ADDITIONAL POWER SUPPLY TO THE TABLET WHEN IT IS DOCKED. MULTIPLE POWER SUPPLIES WILL CAUSE DAMAGE TO THE TABLET

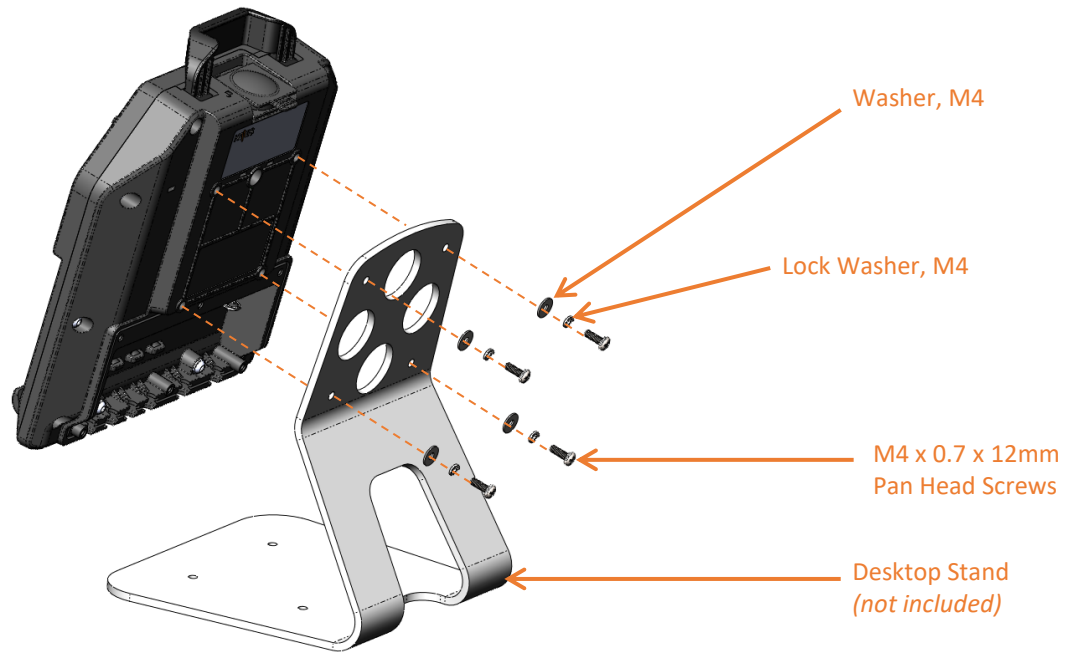
NE connectez AUCUNE alimentation supplémentaire à la tablette lorsqu'elle est insérée dans sa station d'accueil. L'utilisation de plusieurs sources d'alimentation endommagerait la tablette.



Installation (DS-TAB-310 Series)

- 1) Align Docking Station mounting holes with the hole pattern on mounting device. Using the four (4) M4 0.7 x 12mm Pan Head Screws (Hardware Kit Item 3), four (4) Washers, M4 (Hardware Kit Item 4), and four (4) Lock Washers, M4 (Hardware Kit Item 5), secure the Docking Station to device. **Torque screws to 15 in-lbs (1.7Nm) ± 10%**

A) Havis Desktop Stand installation (sold separately, Part # DS-DA-218).

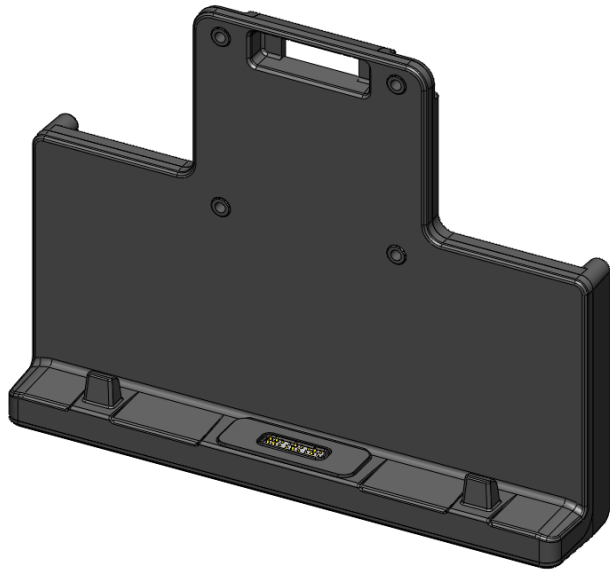


B) In-Vehicle mounting system installation (not included).

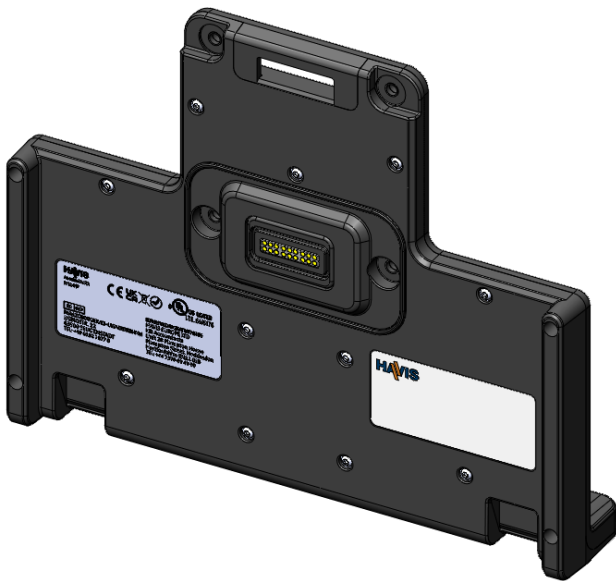
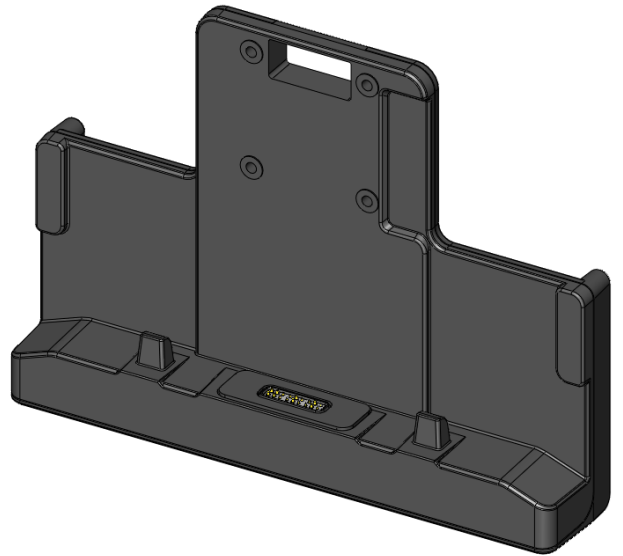


Parts Included (TA-100 Series)

TA-101

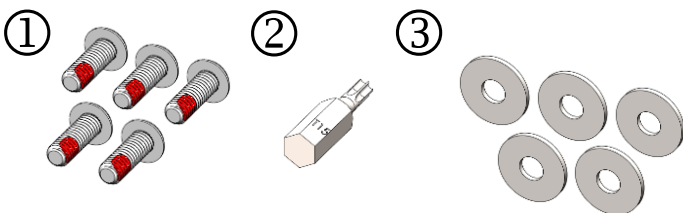


TA-102



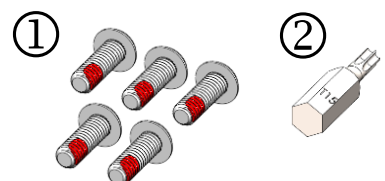
Hardware Kit (30-013102)

1. M4 , 12mm Long Tamper Resistant Machine Screw (x5)
2. T15 Pin-In-Torx Drive (x1)
3. M4 Washer (x5)



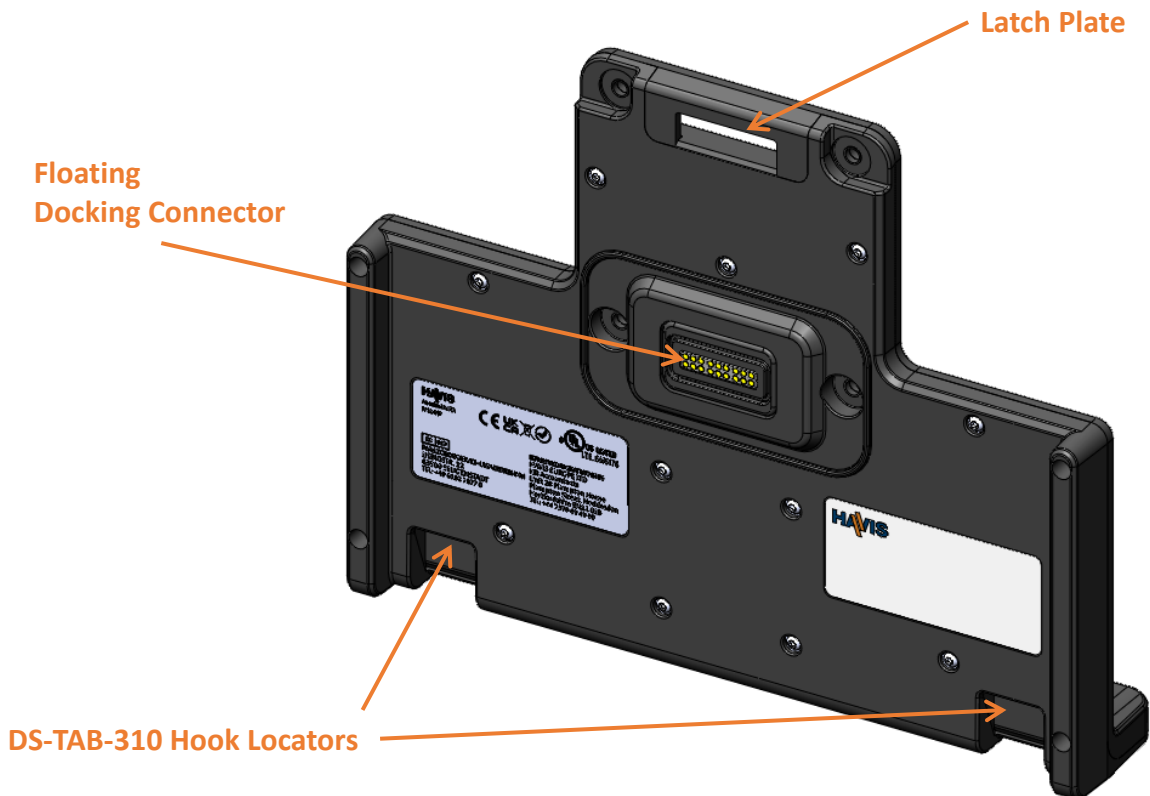
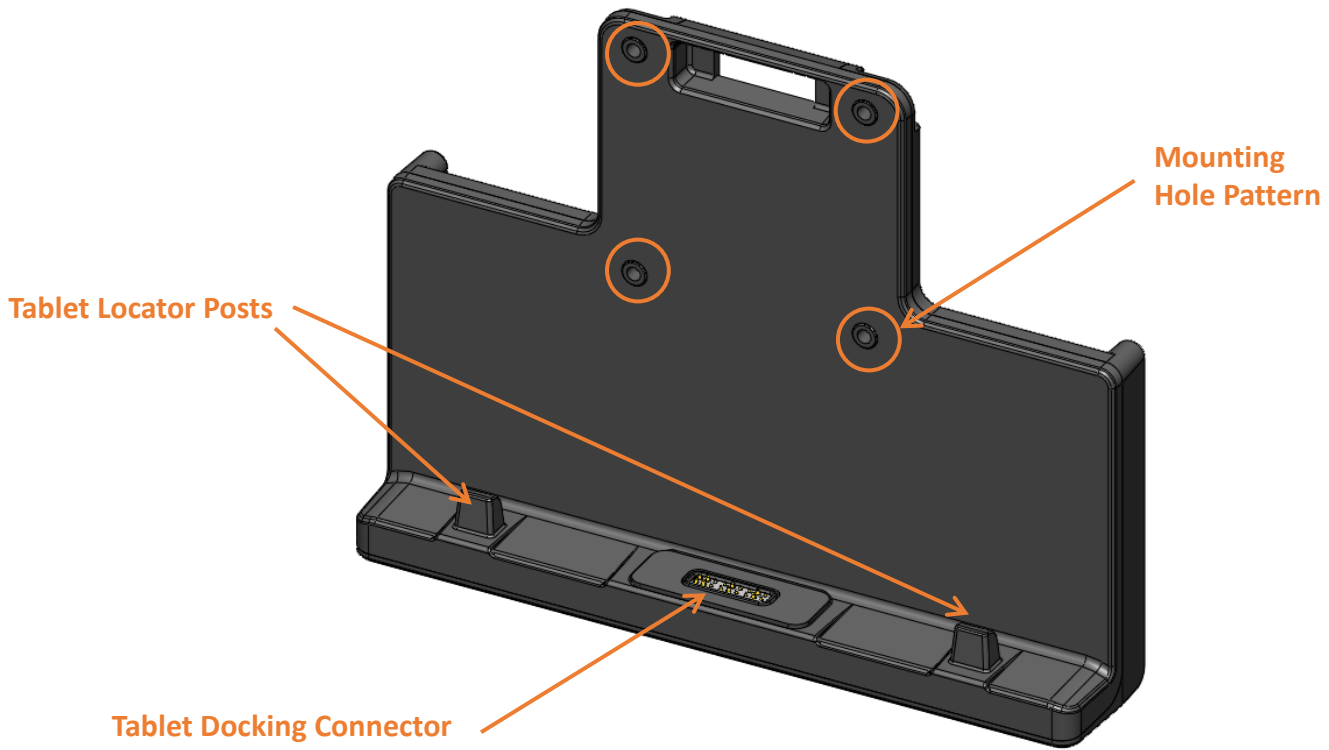
Hardware Kit (30-013758)

1. M4 , 12mm Long Tamper Resistant Machine Screw (x5)
2. T15 Pin-In-Torx Drive (x1)



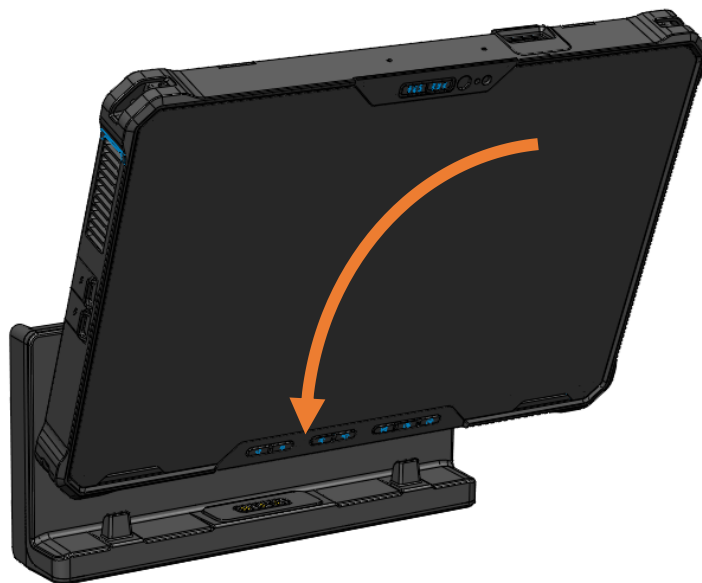
Parts Included (TA-100 Series)

Tablet Accessory (TA-101 Shown)



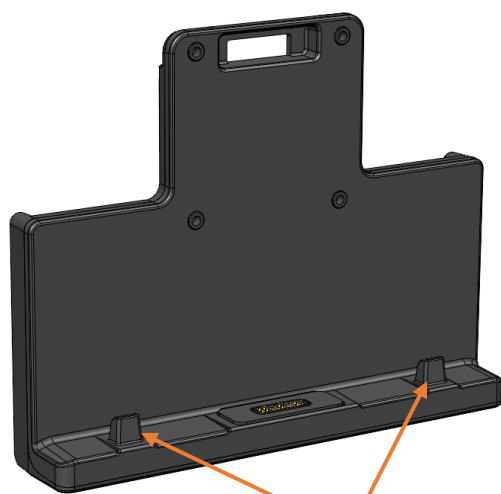
Tablet Accessory Installation (TA-100 Series)

1. Hold the tablet in landscape orientation with the bottom angled towards the docking station. Lower the tablet into the docking station.

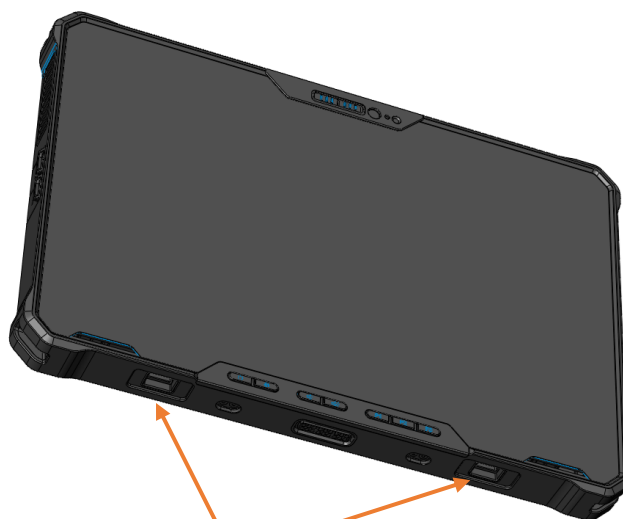


⚠ CAUTION

DO NOT FORCE TABLET ONTO TABLET ACCESSORY. IF THERE IS RESISTANCE, MAKE SURE THE TABLET'S ALIGNMENT SOCKETS ALIGNS WITH THE TABLET ACCESSORY'S ALIGNMENT POSTS.



Docking station alignment sockets



Tablet alignment sockets

Tablet Accessory Installation (TA-100 Series)

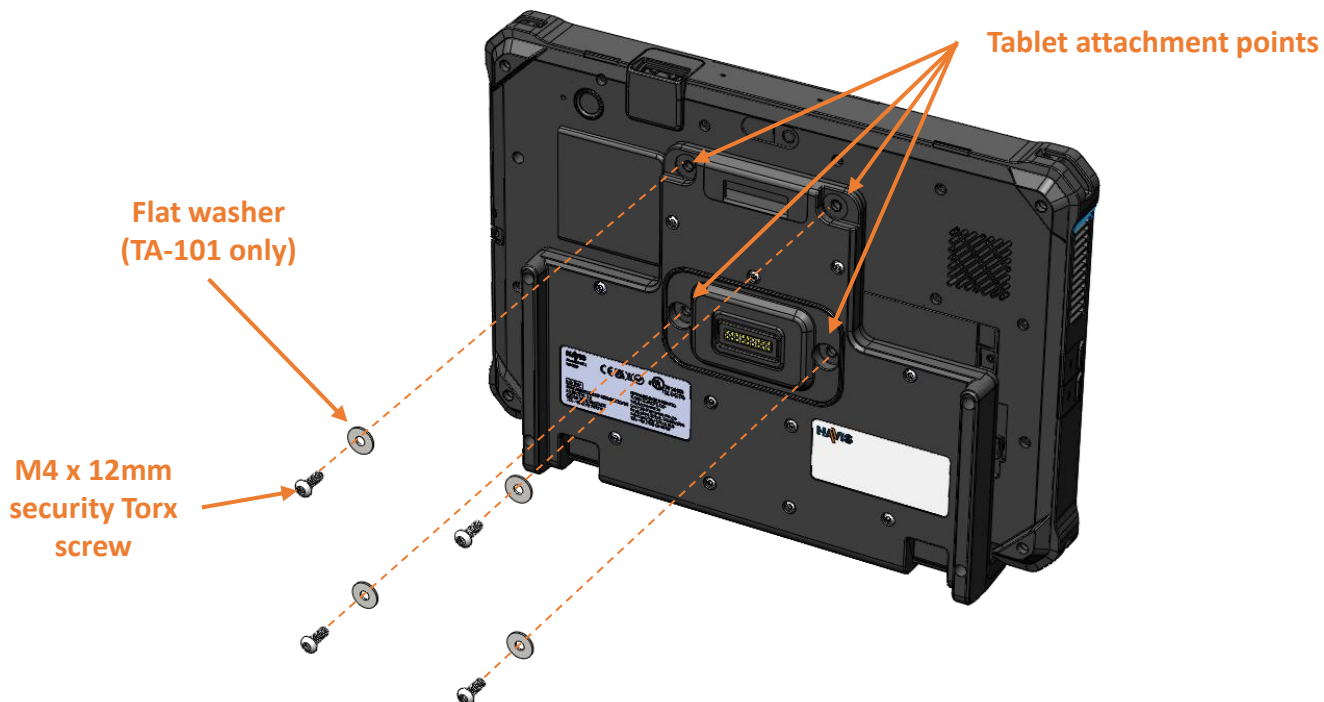
2. Pivot the top of the tablet into the docking station.



3. While lightly applying downward pressure to the tablet, attach the tablet using:

- (x4) M4 x 12mm security Torx screws (*Hardware Kit Item #1*)
- (x1) T15 security Torx bit (*Hardware Kit Item #2*)
- (x4) Flat Washers (*Hardware Kit Item #3*) Included in TA-101 ONLY*

Torque screws to 12 – 15 in-lbs (1.4 – 1.7 Nm).



Operation - Docking

CAUTION

DO NOT FORCE TABLET ACCESSORY ONTO DOCKING STATION. IF THERE IS RESISTANCE, CHECK ALIGNMENT OF ACCESSORY ON DOCKING STATION.

NOTE: Ensure a proper connection by aligning the Tablet Case's Alignment Pockets with the Docking Station's Front Hooks

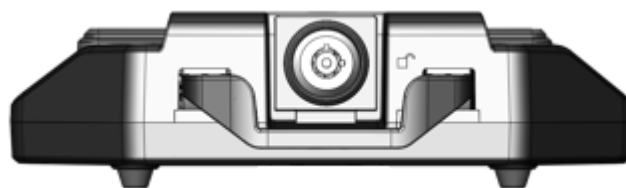


Alignment Sockets on the bottom piece of the TA-100 Series Tablet Accessory

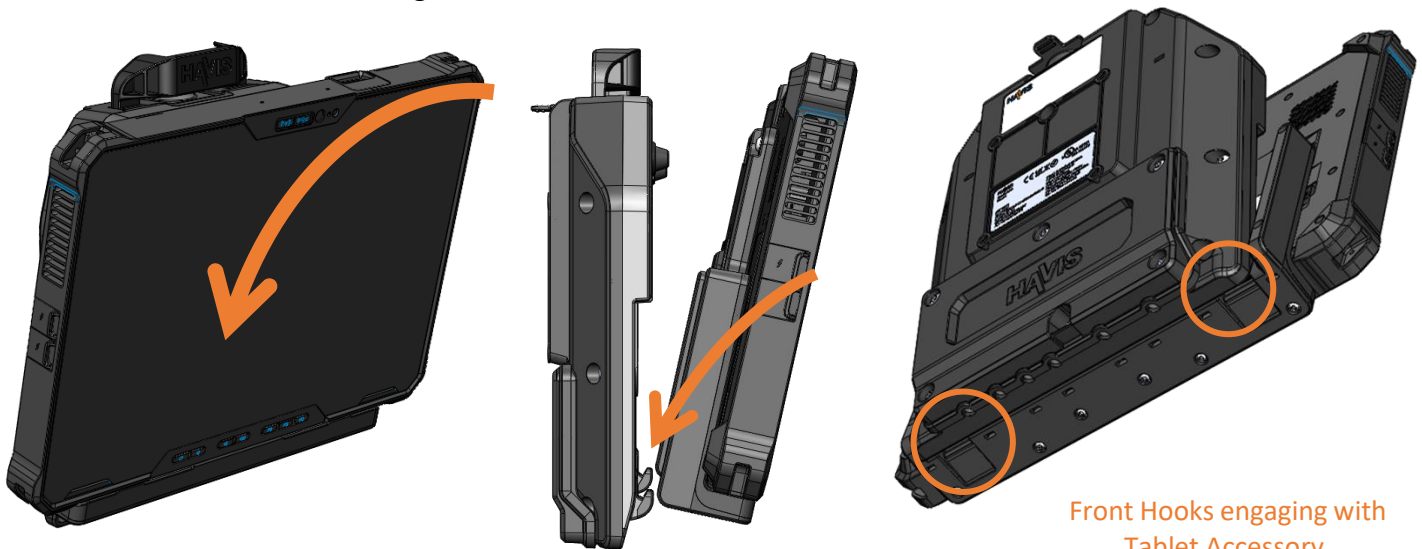


Front Hooks on the DS-TAB-310 Series Docking Station

- 1) Ensure the Docking Station is unlocked.



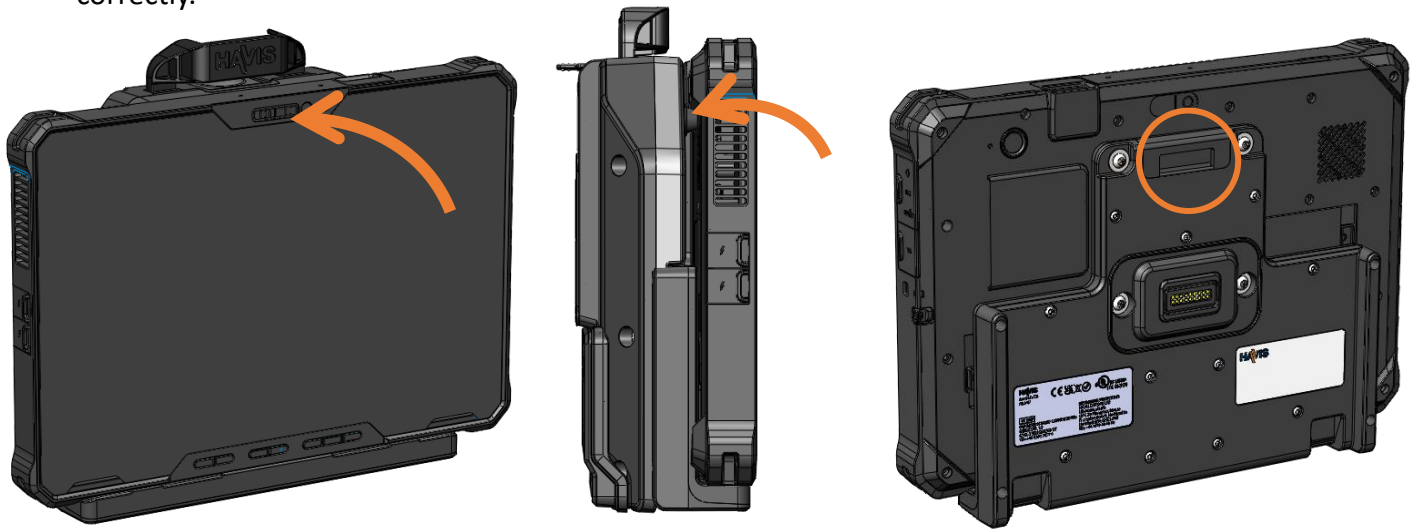
- 2) Hold Tablet Accessory with bottom angled toward Docking Station. Lower Tablet Accessory onto the Docking Station so the Alignment Pockets on the Tablet Accessory align with the Front Hooks on the Docking Station.



Front Hooks engaging with Tablet Accessory.

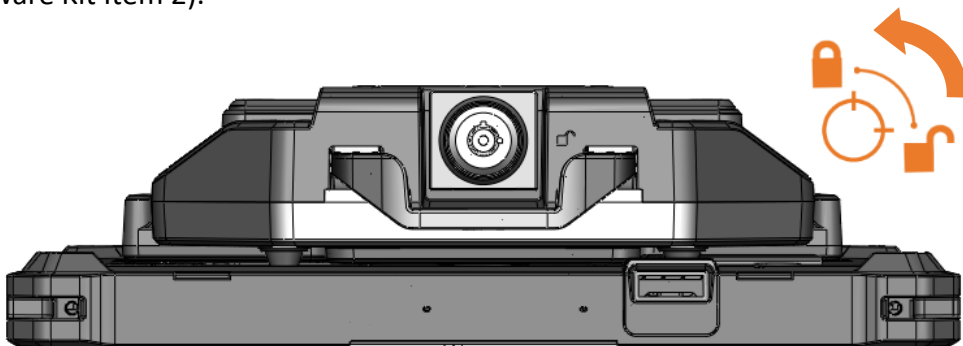
Operation – Docking (continued)

- 3) Pivot Tablet Accessory into the Docking Station until the Docking Station's Latch Hook engages with the Latch Hook Recess on the Tablet Accessory Case. A click will be heard when docked correctly.

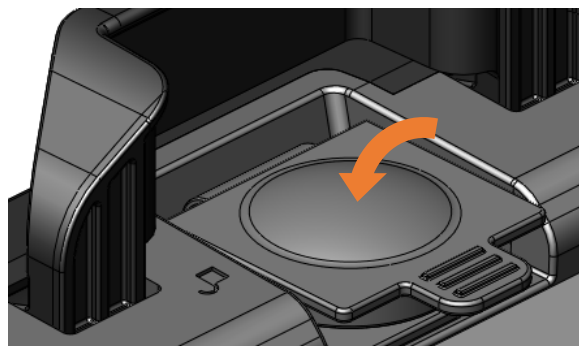


Latch Hook engages with Tablet Accessory Latch Plate

- 4) For theft deterrence, secure Tablet Accessory by locking Docking Station with supplied key (Hardware Kit Item 2).

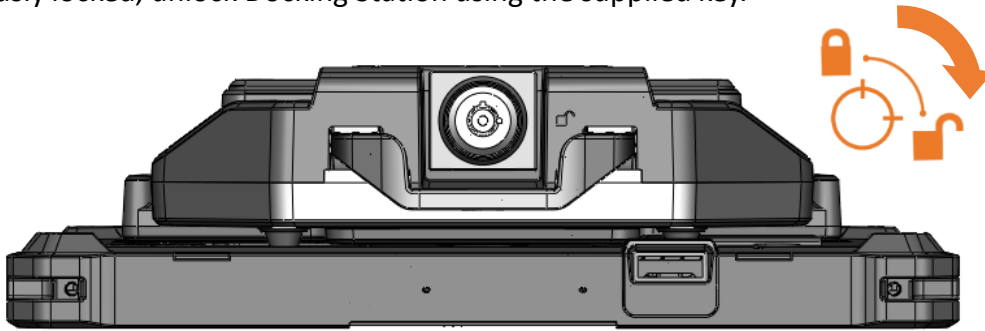


- 5) Lock Cover provides IP66 protection. To ensure ingress protection, close Lock Cover tab and press down (see image below) to ensure tight seal.

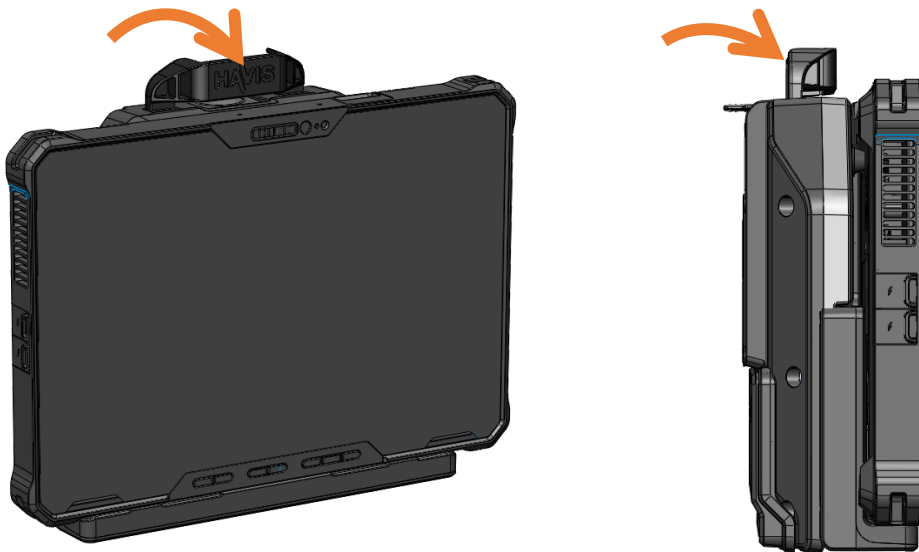


Operation - Undocking

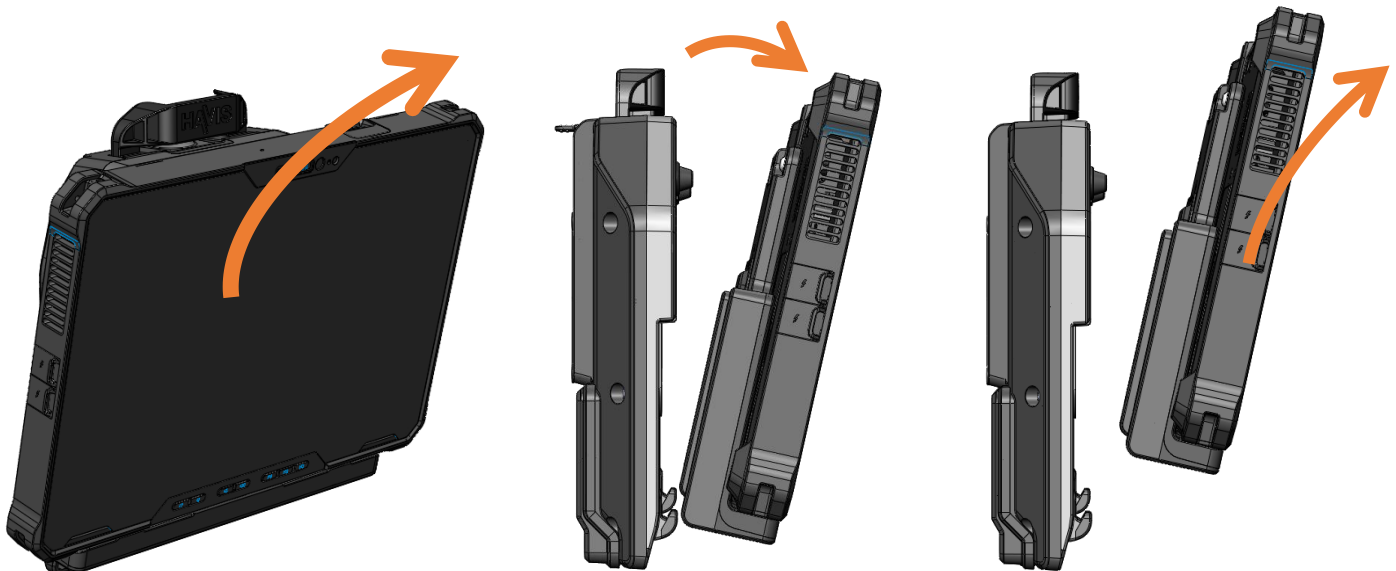
- 1) If previously locked, unlock Docking Station using the supplied key.



- 2) While holding Tablet Accessory with one hand, Pull the Release Handle on the top of Docking Station.



- 3) While pulling the Release Handle grab the Tablet Accessory, rock the top forward and carefully lift out of Docking Station, top end first.



Regulatory Information

Canada

CAN ICES (B) / NMB (B)

Class B equipment

This Class B digital apparatus meets all requirements of the Canadian Interference-Causing Equipment Regulations.

Équipement de Classe B

Cet appareil numérique de la Classe B respecte toutes les exigences du Règlement sur le matériel brouilleur du Canada.

United States of America

FCC Compliance

This device complies with part 15 of the FCC Rules. Operation is subject to the following two conditions: (1) This device may not cause harmful interference, and (2) this device must accept any interference received, including interference that may cause undesired operation.

Note: This equipment has been tested and found to comply with the limits for a Class B digital device, pursuant to part 15 of the FCC Rules. These limits are designed to provide reasonable protection against harmful interference in a residential installation. This equipment generates, uses and can radiate radio frequency energy and, if not installed and used in accordance with the instructions, may cause harmful interference to radio communications. However, there is no guarantee that interference will not occur in a particular installation. If this equipment does cause harmful interference to radio or television reception, which can be determined by turning the equipment off and on, the user is encouraged to try to correct the interference by one or more of the following measures:

- Reorient or relocate the receiving antenna.
- Increase the separation between the equipment and receiver.
- Connect the equipment into an outlet on a circuit different from that to which the receiver is connected.
- Consult the dealer or an experienced radio/TV technician for help.

Caution: Changes or modifications not expressly approved by the party responsible for compliance could void the user's authority to operate the equipment.

Responsible party (contact for FCC matters only):

Havis, Inc.
75 Jacksonville Road
Warminster, PA 18974
havis.com/contact-us

Regulatory Information *(continued)*

European Union

Waste Electrical and Electronic Equipment (WEEE)

Electrical and electronic equipment (EEE) contain materials, components and substances that can be hazardous and harmful to human health and the environment when WEEE is not disposed of properly.

Products marked with the "crossed-out wheeled bin" symbol are EEE. The crossed-out wheeled bin symbolizes that WEEE must not be disposed of together with unsorted household waste, but must be collected separately.

For this purpose, all municipalities have established collection schemes where WEEE can be handed in, free of charge, by citizens at recycling stations or other collection points or collected directly from households. Further information should be obtained from the municipality's technical administration.



This symbol on the product or on its packaging indicates that the product must not be disposed of with normal household waste. Instead, it is your responsibility to dispose of your waste equipment by arranging to return it to a designated collection point for the recycling of WEEE. By separating and recycling your waste equipment at the time of disposal, you will help to conserve natural resources and ensure that the equipment is recycled in a manner that protects human health and the environment. This product is EEE and shall not be placed in the municipal waste after end of its life. This device should be handled properly and handed over to appropriate collection places or to authorized companies.

Conformité Européene (CE) Mark



The CE marking on a Havis product indicates conformity to the provisions of applicable European Union (EU) directives. The EU Declaration of Conformity (DoC) is the manufacturer's declaration that the product complies with those directives.

EU Authorized Representative:

Alura Group B.V.
Kroonwiel 2
6003 BT Weert
Netherlands

United Kingdom

United Kingdom Conformity Assessed (UKCA) Mark



The UKCA marking on a Havis product indicates conformity to the provisions of applicable European Union (EU) directives and United Kingdom (UK) legislations. The UK Declaration of Conformity (DoC) is the manufacturer's declaration that the product complies with those directives and legislations.

UK Authorized Representative:

Tailwind Solutions Limited
Unit 2a Castle Business Centre, Queensferry Road, Pitreavie Business Park
Dunfermline Fife, KY11 8NT
Scotland, United Kingdom

Related Products

Havis offers a wide variety of accessory products specifically for use with your Docking Station. For more information or to order, please visit www.havis.com.



DS-DA-339
Power Cable
Power cable for DS-TAB-312



DS-DA-218
Desktop Stand
Durable stand for mounting the DS-TAB-310 Series Docking Station on the production shop floor.



DS-DA-504
Replacement Keys
Set of (2) replacement keys for DS-TAB-310 Series Docking Stations



Power Supplies (for DS-TAB-311)

LPS-185
Power Supply w/Cigarette Input Cable

LPS-186
Isolated Power Supply w/Hardwired Input Cable (12-32VDC)

LPS-187
Isolated Power Supply w/Hardwired Input Cable (20-60VDC)

LPS-188
Isolated Power Supply w/Hardwired Input Cable (70-110VDC)

LPS-181
AC Power Supply w/Hardwired Output Cable

