

INSTALLATION INSTRUCTIONS:

NOTE: THIS SHEET DEPICTS TWO SEPARATE MOUNTING SOLUTIONS FOR THE GETAC POWER SUPPLY

PANEL MOUNTING:

1. Start with the GETAC Power Supply. Feed the hard wired Output Cable of the Power Supply through the front face of the LPS-208 bracket. Then settle the bracket over the top of the Power Supply.

2. Use the Thread-Forming fasteners that come with the LPS-140/LPS-208 to fasten the bracket to the desired panel that the Power Supply is to be mounted on. TORQUE TO 14 IN-LBS.

3. Connect the Input cable to the Power Supply.

MOUNTING TO DOCKING STATION

NOTE: THIS SOLUTION CAN MOUNT TO EITHER SIDE OF THE DOCKING STATION DEPENDING ON THE USERS PREFERENCE

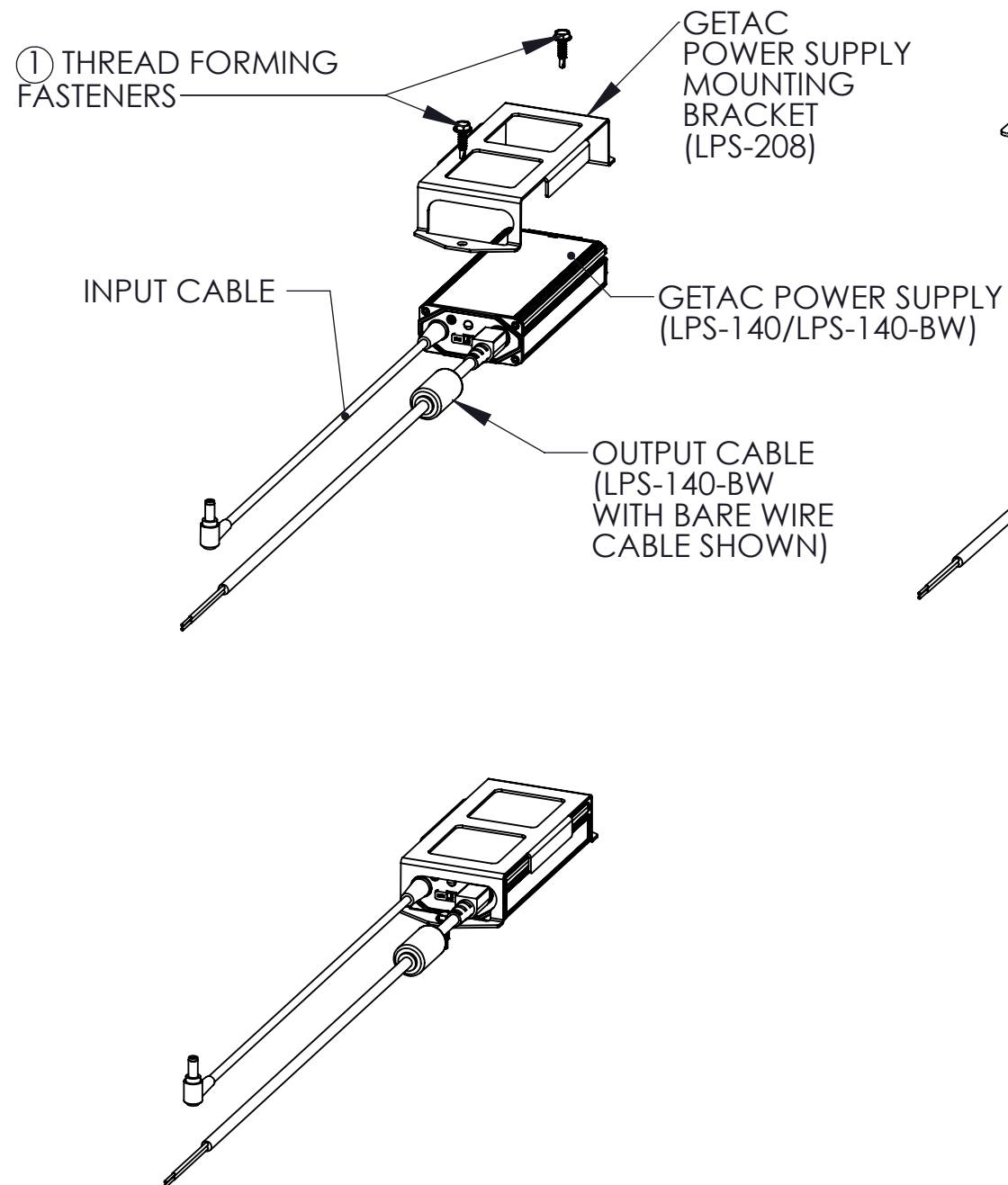
1. Start with the GETAC Power Supply. Feed the hard wired Output Cable of the Power Supply through the front face of the LPS-208 bracket. Then settle the bracket over the top of the Power Supply.

2. Use the Machine Screws and Nylock Nuts from LPS-211 (NOT INCLUDED WITH LPS-208) to fasten the LPS-208 bracket with the Power supply to the LPS-211 bracket. TORQUE TO 14 IN-LBS..

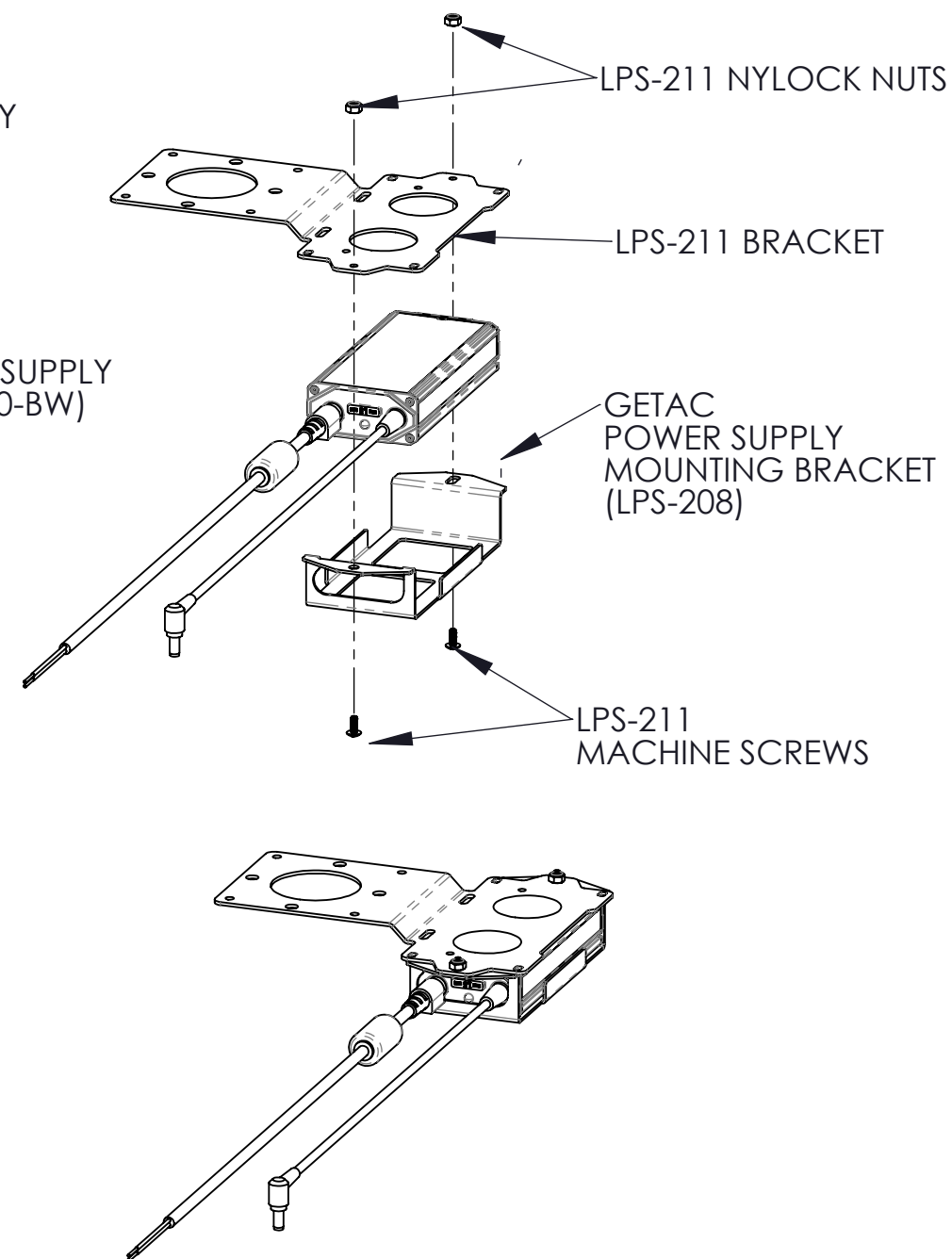
3. Connect the Input cable to the Power Supply

4. Follow the LPS-211 Mounting Instructions to mount the Power Supply to your docking station and mounting/motion device.

PANEL MOUNTING (LPS-140/LPS-208):



MOUNTING TO DOCKING STATION WITH LPS-211(NOT INCLUDED):



HARDWARE KIT CONTENTS

ITEM #	DESCRIPTION	QTY.	FINISH	DRIVE STYLE/SIZE
1	THREAD FORMING SCREWS, #10-16 X 3/4" LONG HEX WASHER HEAD	2	ZINC	5/16 HEX

⚠ WARNING: ALL HAVIS INC. PRODUCTS ARE DESIGNED WITH SAFETY OF USE AND INSTALLATION IN MIND. HOWEVER, IT IS THE SOLE RESPONSIBILITY OF THE OWNER/OPERATOR OF A VEHICLE USING HAVIS INC. MOUNTING AND DOCKING EQUIPMENT, TO ENSURE THAT THE EQUIPMENT IS INSTALLED SO THAT IT WILL NOT INTERFERE WITH VEHICLE OPERATION, INTERFERE WITH SAFETY DEVICES, OBSTRUCT VIEW OF DRIVING CONDITIONS, OR IN ANY WAY DEGRADE OCCUPANT SAFETY. IMPROPER INSTALLATION CAN CAUSE SERIOUS INJURY IN THE EVENT OF AN ACCIDENT. INSTALLATION SHOULD ONLY BE PERFORMED BY QUALIFIED PROFESSIONALS. COMPUTERS AND MOTION DEVICES MUST BE MOVED TO AND STOWED/SECURED IN THEIR SAFE DRIVING POSITIONS BEFORE OPERATING VEHICLE.

⚠ AVERTISSEMENT : TOUS LES PRODUITS HAVIS INC. SONT CONÇUS EN TENANT COMPTE DES EXIGENCES EN MATIÈRE DE SÉCURITÉ D'UTILISATION ET D'INSTALLATION. CEPENDANT, IL EST DE LA SEULE RESPONSABILITÉ DU PROPRIÉTAIRE/OPÉRATEUR D'UN VÉHICULE UTILISANT L'ÉQUIPEMENT DE MONTAGE ET D'AMARRAGE DE HAVIS INC. DE S'ASSURER QUE L'ÉQUIPEMENT EST INSTALLÉ DE MANIÈRE À NE PAS INTERFÉRER AVEC LE FONCTIONNEMENT DU VÉHICULE, À NE PAS GÊNER LES DISPOSITIFS DE SÉCURITÉ, À NE PAS ENTRAVER LA VISIBILITÉ DES CONDITIONS DE CONDUITE OU À NE PAS COMPROMETTRE DE QUELQUE MANIÈRE QUE CE SOIT LA SÉCURITÉ DES OCCUPANTS. UNE INSTALLATION INCORRECTE PEUT PROVOQUER DES BLESSURES GRAVES EN CAS D'ACCIDENT. L'INSTALLATION NE DOIT ÊTRE EFFECTUÉE QUE PAR DES PROFESSIONNELS QUALIFIÉS. LES ORDINATEURS ET LES ÉQUIPEMENTS DE TRANSPORT DOIVENT ÊTRE DÉPLACÉS ET RANGÉS DE MANIÈRE ADÉQUATE ET EN TOUTE SÉCURITÉ AVANT UTILISATION DU VÉHICULE.

DRAWING NO. **E102453** REV. **A**

PRODUCT DESCRIPTION
**INSTALLATION INSTRUCTION,
LPS 140/LPS-208**

HAVIS
1-800-524-9900
WWW.HAVIS.COM

WEIGHT: (LBS)
-
REV. DATE
05-11-2026