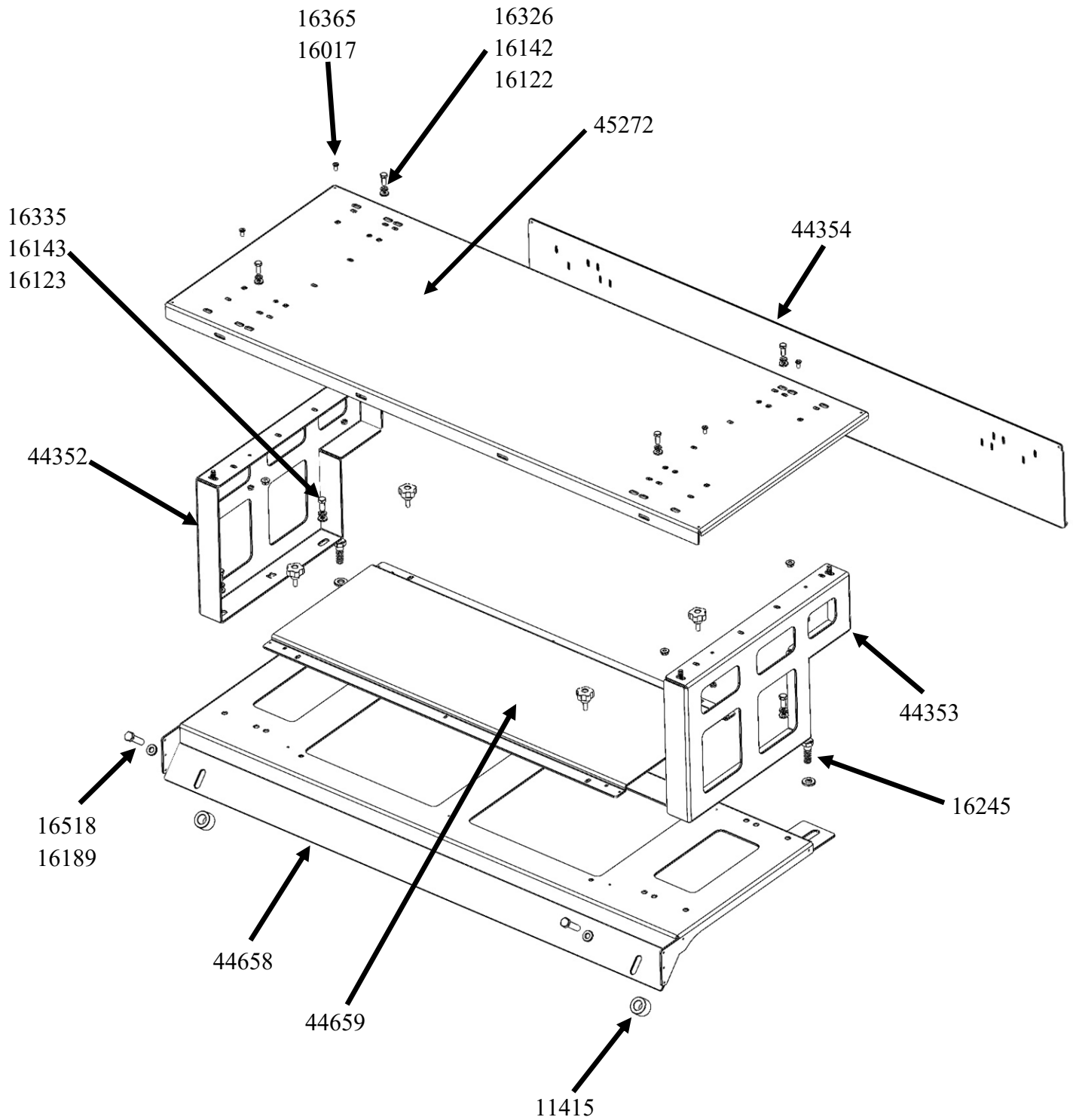




**SBX-5020 Assembly**





View of cargo area without third row seats prior to mount base installation.



Remove OEM rear storage bin / compartment.

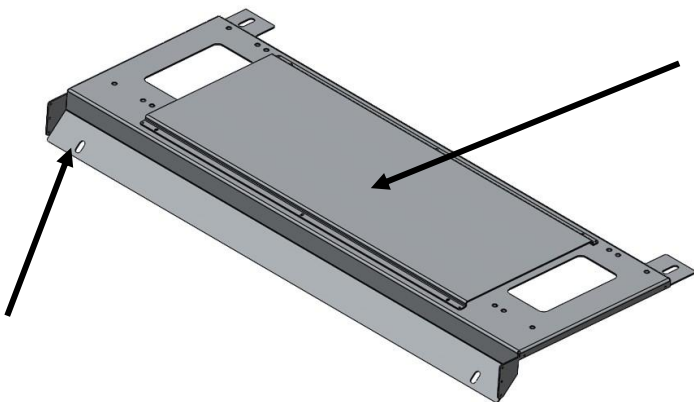


Remove third row seats if applicable.  
Note: Tape over unused seat mount holes in floor.

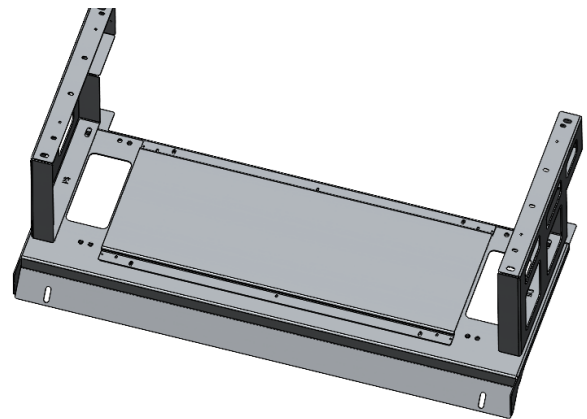


For a vehicle with no third row seat, remove tape over two circled holes and tap with M12x1.75 thread.

**\*\*View from front looking rearward\*\***



Place base bracket 44658 into vehicle and attach to OEM floor holes using previously removed third row seat OEM bolts and provided M12x1.75x40 bolts and washers. Two (2) 0.77" spacers are used for front bolts only. Attach electronics tray to base bracket with six (6) Torx screws or four (4) knobs.



Attach riser brackets to base with 5/16" X 3/4" Hex head bolts, lock washers and flat washers.  
**Note:** Attaching risers and plate to bottom of drawer before attaching to base may make installation easier.  
Risers have three sets of mount holes. Outside position is for 46" wide storage drawer. Middle position is for standard 40" wide storage drawer. Inside position is for C-SBX-101.



Attach mount plate to risers with 10-32 X 1/2 Phillips flat head machine screws and nuts.



Attach C-SBX-101 to mount plate with 1/4" x 3/4" Hex head bolts, lock washers, flat washers and serrated nuts.



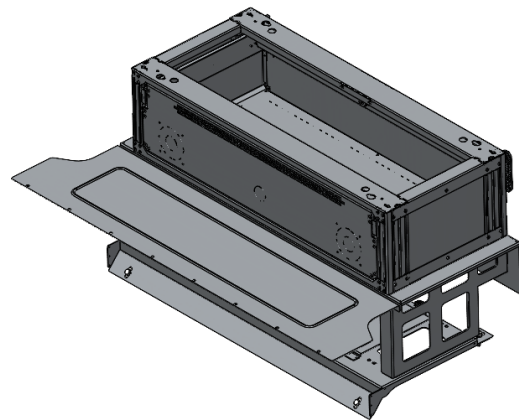
Attach SBX-1000 series drawer to mount plate with 5/16" x 3/4" Hex head thread-forming screws.



Prior to re-installing OEM rear storage bin, the hinged flaps must be cut off in order to fit.



Detach springs from OEM rear storage bin flaps and cut flaps approximately at hinge point shown by the red line. Reinstall rear storage bin.



Loosely attach front filler to risers using four (4) Torx screw. Push filler panel firm to floor, then tighten screws.