

INSTALLATION INSTRUCTIONS

C-TTP-TAH-103

2021-2022 Chevrolet Tahoe PPV

(Used for mounting Optional C-SBX-101)

Fits with Havis standard length K9 inserts (K9-C26 and K9-C26-B)

TOOLS REQUIRED:

Standard Socket Set	5/32" Allen Key/hex bit	T50 Torx
Metric Socket Set		

PARTS and MOUNTING HARDWARE:

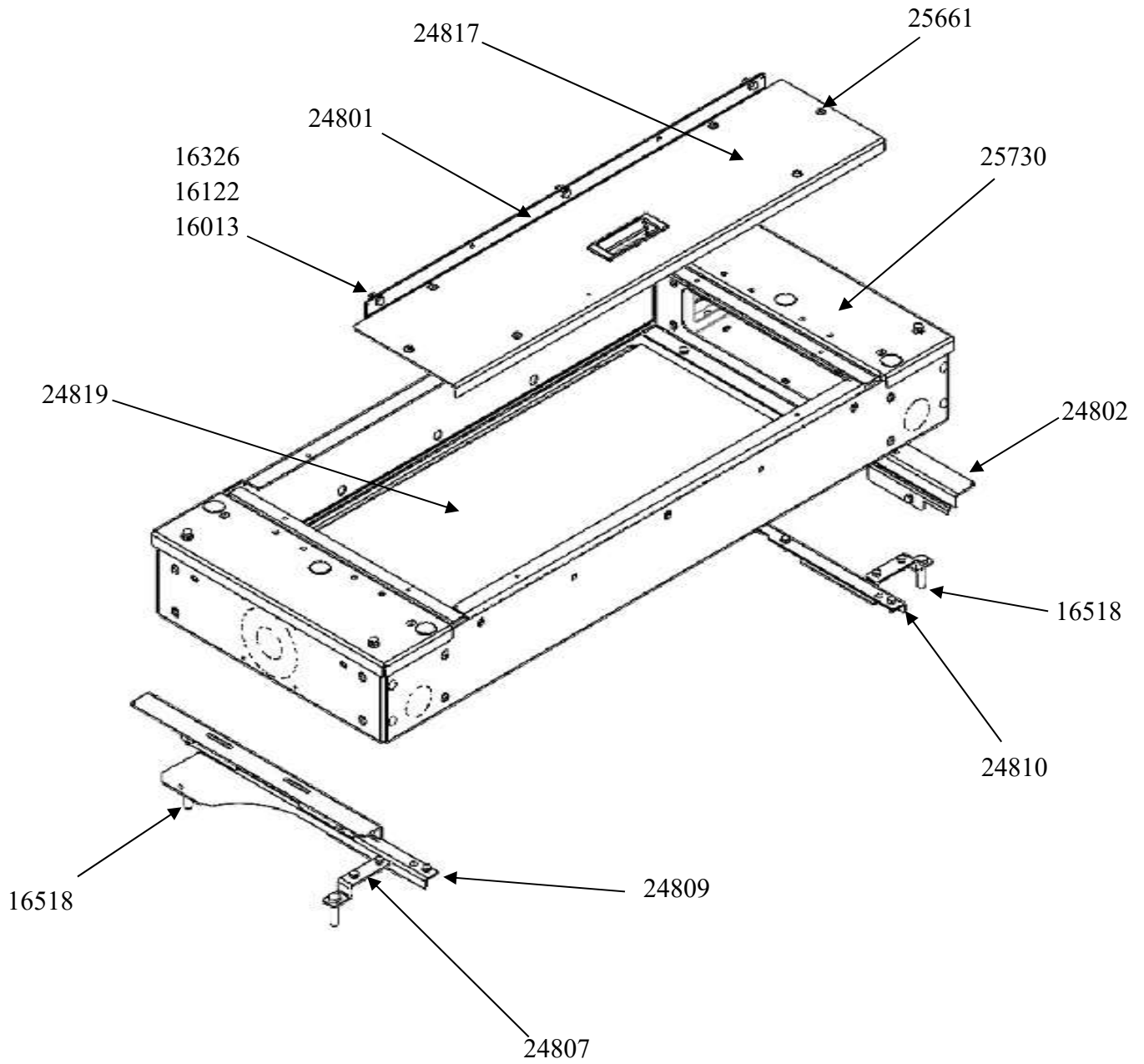
<u>QTY</u>	<u>DESCRIPTION</u>	<u>ITEM#</u>	
1	Main Box assembly	25730	
1	Lid – Half size	24817	
1	Lid support / angle bracket	24801	
2	Rear Floor Bracket	24807	
2	Side top trim bracket	24802	
1	DS Front Floor Bracket	24809	
1	PS Front Floor Bracket	24810	
4	M10 x 1.5 x 45mm Hex Bolt	16518	
14	1/4 Star washer	16148	
17	1/4" x 3/4" Hex bolt	16326	
3	1/4 Flat washer	16122	
3	1/4-20 Serrated flange nut	16013	
6	1/4" x 5/8" Button head screw	25661	
6	1" Hole plug	15803	
1	Equipment mounting tray (removable)	24819	included in main box
4	8-32 x 1/2" Machine screw	16378	for removable tray
4	# 8 Flat washer	16119	for removable tray

Always!

- Read all instructions before installing any Havis, Inc. products.
 - Use hardware provided with install kit

**C-TTP-TAH-103
Assembly**

Front of
vehicle





Determine 3rd row seat bolt locations in forward floor and loosely attach long front brackets with supplied M10 bolts. Temporarily remove OEM M12 Torx bolts from rear seat belt mount locations (T50 Torx)



Passenger side bracket shown attached to floor with M10 x 1.5 x 45mm hex bolt.

NOTE: Remove padding under bracket and bolt for improved mounting. Repeat on driver side.



Loosely attach rear floor brackets to rear seat belt anchors on each side with previously removed OEM 12mm Torx bolts.



Place main box assembly onto brackets and attach with (10) 1/4" x 3/4" Hex bolts and star washers. Mount equipment onto removable tray as desired.



Tighten floor bracket hardware.

Attach side top trim brackets with 1/4" x 3/4" Hex bolts and star washers. Place optional C-SBX-101 box on floor mount box.



Attach angle bracket to SBX box under door hinge with 1/4" x 3/4" bolts, washers and nuts. Attach SBX box to floor box with 1/4 x 3/4 bolts and star washers Attach lid with 1/4" x 5/8" Button head screws.