

INSTALLATION INSTRUCTIONS

TOOLS LIST:

1. #2 PHILLIPS SCREW OR DRILL DRIVER
2. 3/16" HEX WRENCH

ASSEMBLY STEPS:

1. SLIDE **PAYMENT DEVICE ARM** ONTO THE **2.00" POLE** TO DESIRED HEIGHT.
2. TIGHTEN **2X 1/4-20 SOCKET HEAD CAP SCREWS** TO SECURE THE **PAYMENT DEVICE ARM** TO THE **2.00" POLE** AS SHOWN.
3. INSTALL THE **OPEN HOLE SWIVEL BASE (SOLD SEPARATELY)** TO THE **PAYMENT DEVICE ARM** BY USING THE **3X 6-32 X 5/16" PHILLIPS HEAD SCREWS** AS SHOWN.
4. ROUTE THE **CABLE** AS SHOWN.
5. INSTALL THE **PAYMENT DEVICE** TO THE **OPEN HOLE SWIVEL BASE** USING INSTRUCTIONS PROVIDED WITH THE **OPEN HOLE SWIVEL BASE**.

2X 1/4-20 SOCKET HEAD CAP SCREWS (SHOWN EXPLODED FOR REFERENCE ONLY)

2" POLE (SOLD SEPARATELY)

8-32 X .25 PHILLIPS HEAD SCREW

CABLE CLIP

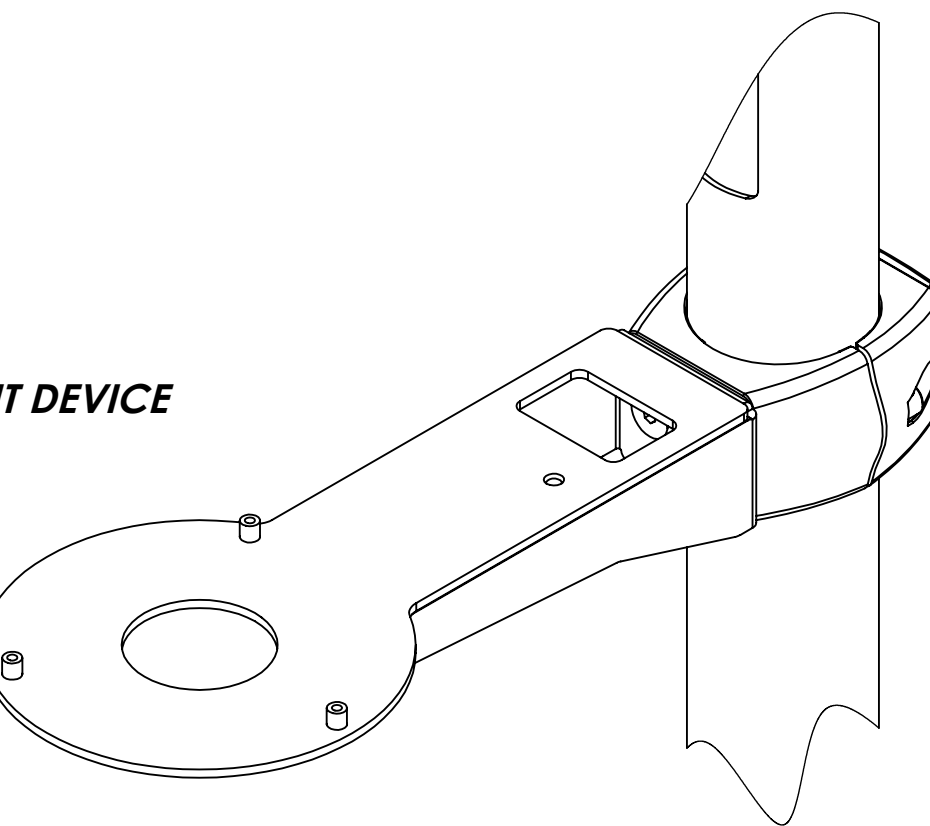
CABLE

PAYMENT DEVICE ARM

OPEN HOLE SWIVEL BASE (SOLD SEPARATELY)

3X 6-32 X 5/16" PHILLIPS HEAD SCREWS

PAYMENT DEVICE



REV.	DESCRIPTION	DATE	BY	CHK'D
E		04/09/14	JEB	
1	M.WOODS	1/18/2011		
2				
3				
4				
5				

<small>DIMS. AND TOLERANCES PER ASME Y14.5 - 1994 UNLESS OTHERWISE SPECIFIED DIMENSIONS ARE IN INCHES TOLERANCES ARE:</small>		<p>14451 Ewing Ave, Suite 100 Burnsville, MN 55306 Phone: 952-767-1005 Fax: 952-767-1006</p>
FRACTIONAL	± 1/32	
2 PLC. DEC.	± .03	
3 PLC. DEC.	± .010	
ANGULAR	± 0°30'	
<small>THE INFORMATION CONTAINED IN THIS DRAWING IS THE SOLE PROPERTY OF ENGINEERED NETWORK SYSTEMS AND REPRODUCTION IN PART OR IN WHOLE WITHOUT THE WRITTEN PERMISSION OF ENGINEERED NETWORK SYSTEMS IS PROHIBITED.</small>		TITLE TECHTOWER, CUSTOMER INSTALLATION, PAYMENT DEVICE ARM, TO MOUNT OPEN HOLE SWIVEL STAND, POLE CLAMP
DO NOT SCALE DRAWING	SIZE C	DWG. NO. 367-2009-02
		REV. E SHEET 1 OF 1