

# INSTALLATION INSTRUCTIONS

## 2021-2026 C-VS-1110-DUR & C-VS-0410-DUR-PM

### Vehicle-Specific Console for 2021-2026

#### Durango Pursuit (without center console)

**Notes: Does not fit Pursuit vehicle with interior upgrade console or Retail and SSV Durango with console "T" shifter.**

**TOOLS REQUIRED:**

Metric Socket set

T20 Torx driver

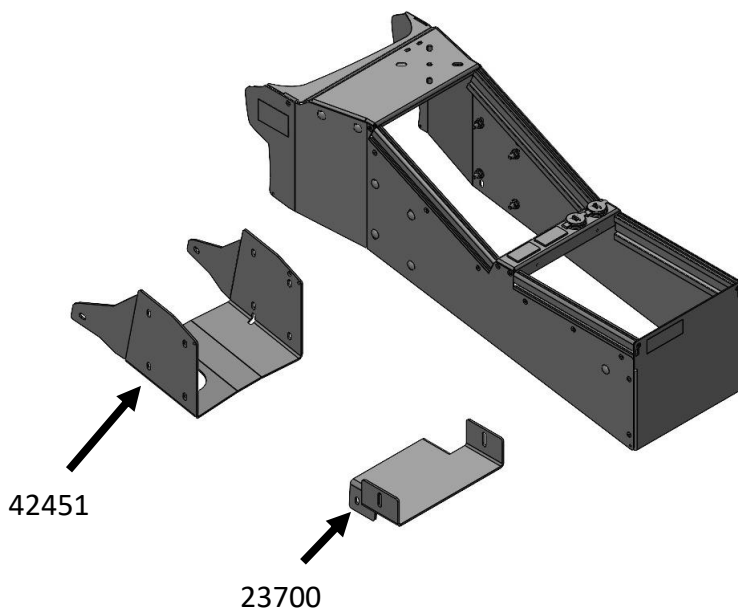
Standard Socket set

**PARTS and MOUNTING HARDWARE:**

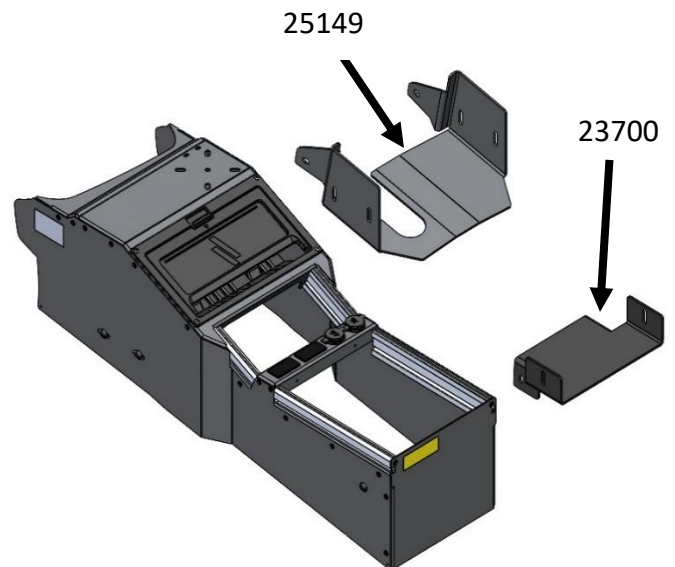
C-VS-1110-DUR		
<u>QTY</u>	<u>DESCRIPTION</u>	<u>PART#</u>
1	Front mounting bracket	42451
1	Rear mounting bracket	23700
10	1/4" x 3/4" Carriage bolt	16223
10	1/4" Serrated nut	16013

C-VS-0410-DUR-PM		
<u>QTY</u>	<u>DESCRIPTION</u>	<u>PART#</u>
1	Front mounting bracket	25149
1	Rear mounting bracket	23700
8	1/4" x 3/4" Carriage bolt	16223
8	1/4" Serrated nut	16013

C-VS-1110-DUR



C-VS-0410-DUR-PM



**Always!**

- Read all instructions before installing any Havis, Inc. products.
- Use hardware provided with install kit



OEM tunnel plate



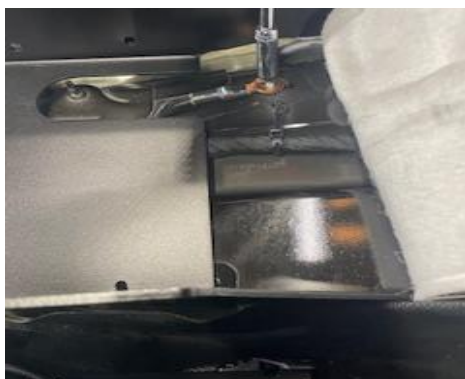
Remove the OEM tunnel plate from the middle of the vehicle using a 10mm socket. Bolts are located on the side of the plate. Retain all (4) 10mm bolts for later use.



Lift OEM cover and remove the OEM nut for the factory ground wire using a 10mm socket. Unclip the OEM harness for more slack.



Carefully slide the front mounting bracket under the OEM wire harness ensuring the wire is not damaged or stretched.



Reattach previously removed factory ground wire nut and harness clip.



Loosely attach the front mounting bracket to the OEM mounting points using a 10mm socket and the OEM bolts.



Position the rear mounting bracket over the rear mounting tab as shown.



Loosely attach the rear mounting bracket using a 10mm socket and the OEM bolts.



Place console over the mounting brackets and slide towards the dash.



Attach rear of console to rear mounting bracket with (2) 1/4" x 3/4" carriage bolts and (2) serrated nuts.



**VS-1110-DUR:** Attach the front of the console to the front mounting bracket with (8) 1/4" x 3/4" carriage bolts and (8) serrated.

**VS-0410-DUR-PM:** Attach the front of the console to the front mounting bracket with (4) 1/4" x 3/4" carriage bolts and (4) serrated nuts



Fully tighten all hardware. Console is shown after installation is complete.