

Owner's Manual
Havis Docking Station
For Zebra ET4X 8" Tablet with Zebra's 8" Rugged Boot (Required)
and ET4X 10" Tablet with Zebra's 10" Rugged Boot (Required)

DS-ZEB-300 Series

DS-ZEB-301

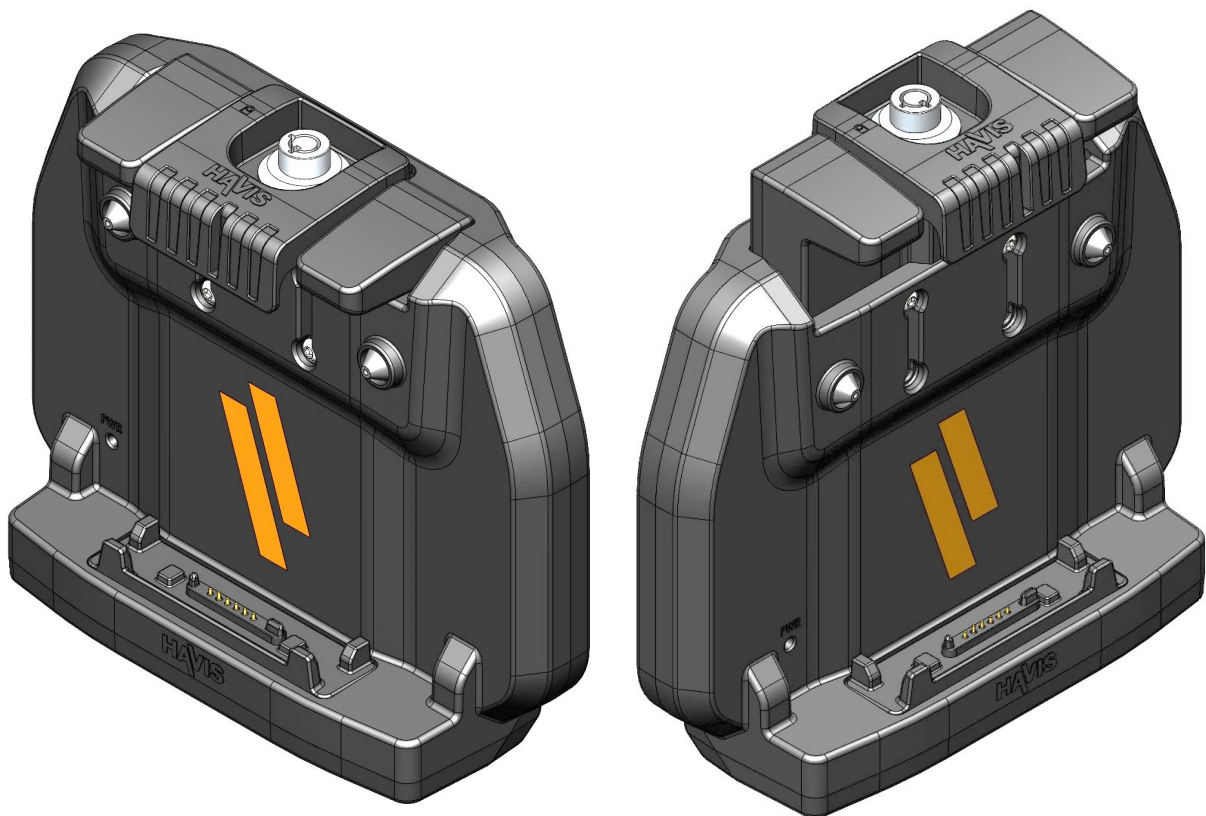
DS-ZEB-301-AC

DS-ZEB-302-ISO

DS-ZEB-303

DS-ZEB-304

DS-ZEB-304-AC



DS-ZEB-300 SERIES_OMN_2-25

Before Beginning

Havis is pleased to provide this Owner's Manual to aid in the proper installation and use of the DS-ZEB-300 Series Docking Station for the Zebra ET4X 8" Tablet with Zebra's 8" Rugged Boot (Required), and the Zebra ET4X 10" Tablet with Zebra's 10" Rugged Boot (Required).

For questions regarding the set-up of your DS-ZEB-300 Series Docking Station please contact Havis at 1-800-524-9900 or visit www.havis.com for additional product support and information.

This Owner's Manual applies to the following Product Numbers:

DS-ZEB-301
DS-ZEB-301-AC
DS-ZEB-302-ISO

DS-ZEB-303
DS-ZEB-304
DS-ZEB-304-AC

⚠ WARNING

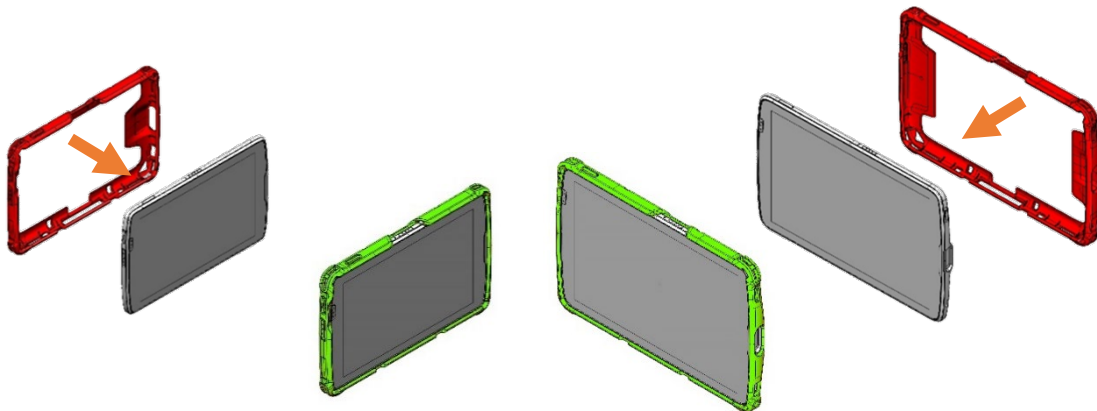
- **NEVER STOW OR MOUNT THE DOCKING STATION DIRECTLY IN A VEHICLE AIRBAG DEPLOYMENT ZONE.**
- **DO NOT USE TABLET WHILE DRIVING.**
- **Do not place metal objects or containers of liquid on top of the Docking Station.**
- **If a malfunction occurs, immediately unplug the Power Supply and remove the tablet.**

⚠ CAUTION

- **READ ALL INSTRUCTIONS THOROUGHLY BEFORE BEGINNING INSTALLATION.**
- **THIS PRODUCT IS NOT CLASSIFIED WITH AN IP RATING. NOT DO NOT STORE, INSTALL, OR OPERATE THE DOCKING STATION WHERE WATER, MOISTURE, STEAM, DUST, ETC. ARE PRESENT**
- **FOR THE DS-ZEB-303: DO NOT CONNECT THE TABLET DIRECTLY TO THE VEHICLE VOLTAGE SOURCE: The Zebra ET4X Tablet requires a certified Zebra approved power source. Failure to comply with this requirement will cause product damage that is NOT repairable and is NOT covered under warranty.**
- Use only the specified Power Supply Cable with this Docking Station (DS-DA-317 or DS-DA-336).
- Do not connect cables into ports other than what they are specified for.
- Do not leave the Docking Station in a high temperature environment (greater than 85°C, 185°F) for a long period of time.

⚠ CAUTION

THE ZEBRA ET4X RUGGED BOOT (EXOSKELETON) FOR THE 8" AND/OR 10" ZEBRA ET4X TABLET DEVICE MUST BE INSTALLED ONTO THE TABLET PRIOR TO DOCKING AND OPERATION. RUGGED BOOT (EXOSKELETON) IS REQUIRED TO ENSURE SAFE AND PROPER FUNCTION OF THE DOCK AND TABLET SOLUTION.



ZEBRA ET4X 8" AND 10" TABLETS WITH RUGGED EXOSKELETON (FRAME) INSTALLED

DS-ZEB-300 Series Specifications

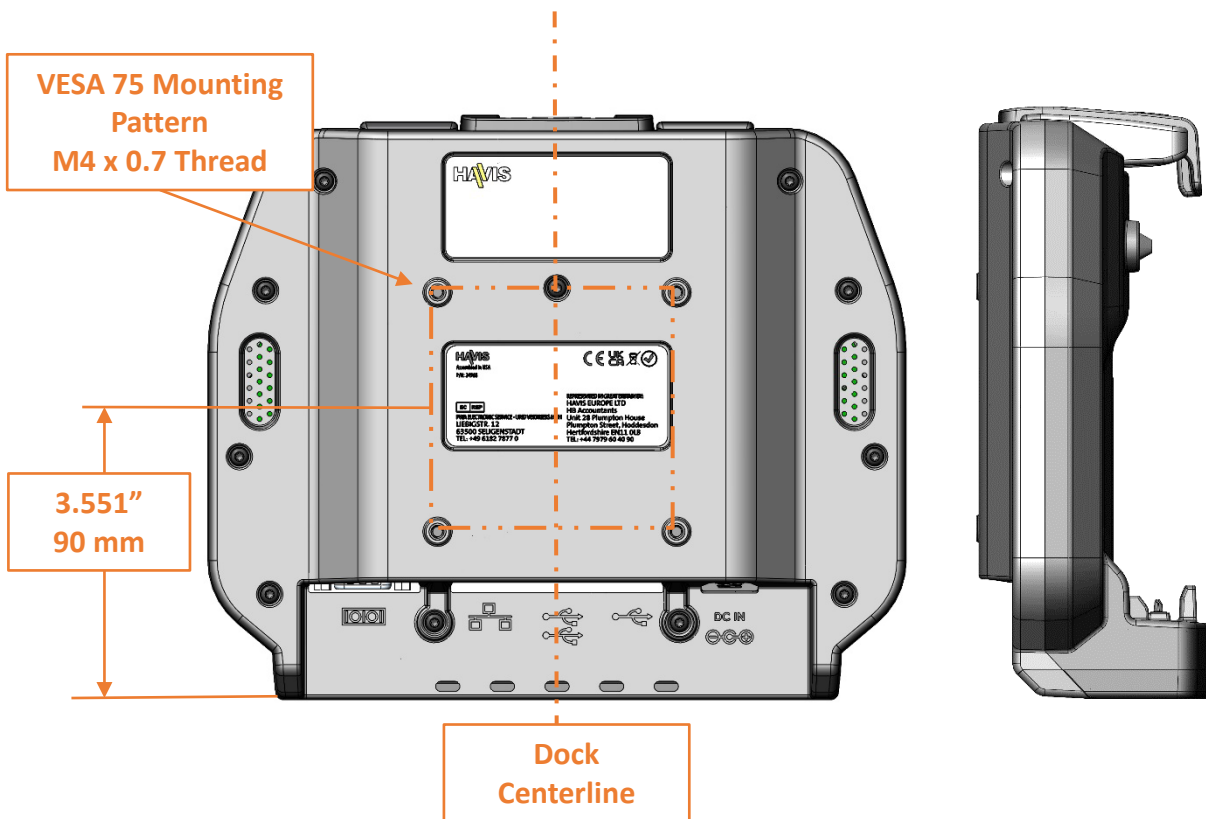
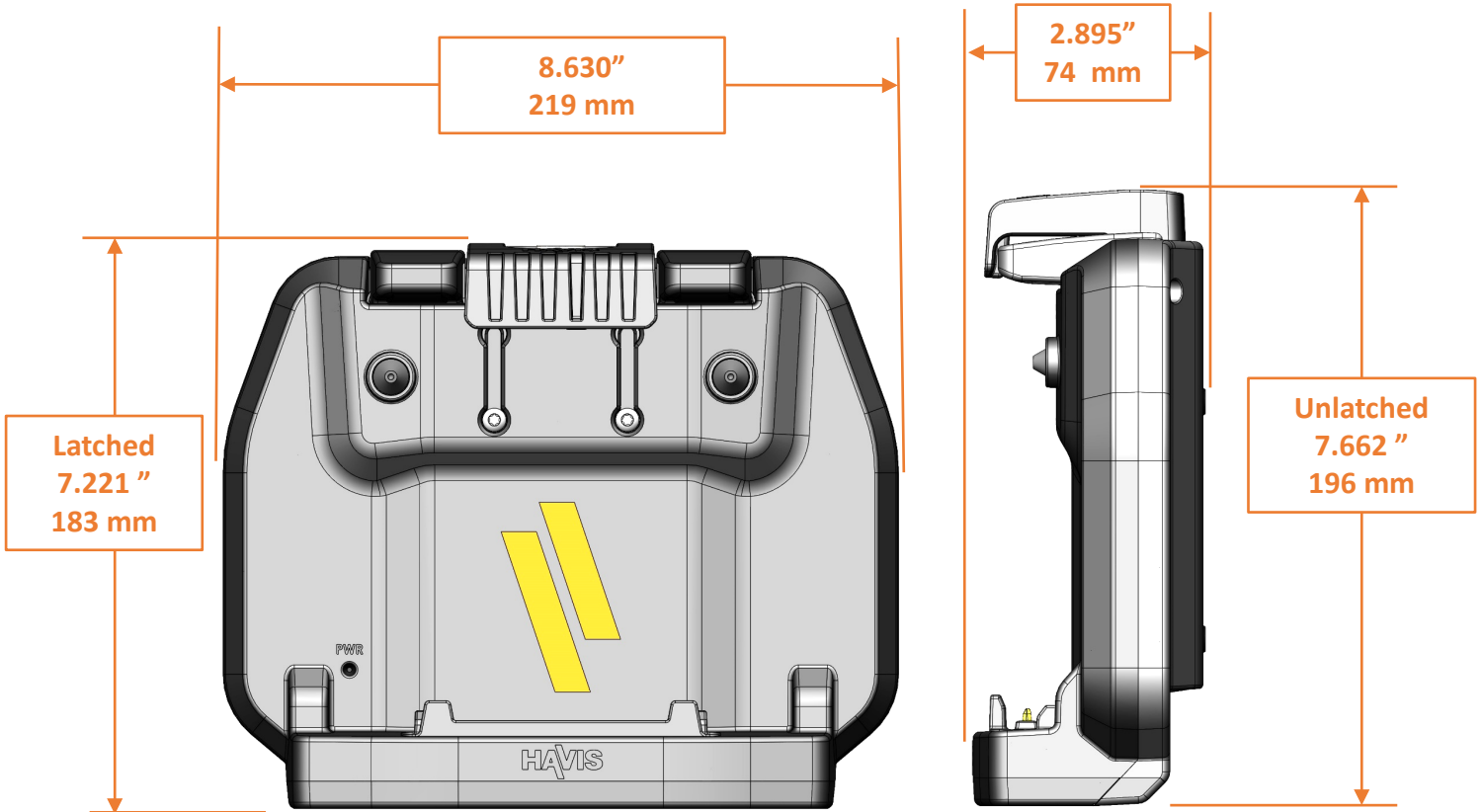
| Configuration (SKU) | Description | Power Options | Dock Input Voltage Requirement | Weight : Lbs (kg) |
|-------------------------------------|--|------------------------|--------------------------------|-------------------|
| DS-ZEB-301 | Standard I/O Electronics | Internal, Non-Isolated | 9-36* VDC | 1.74 (0.79) |
| DS-ZEB-301-AC | Standard I/O Electronics | External Power | 12 VDC NOM | 1.70 (0.77) |
| DS-ZEB-302-ISO | Standard I/O Electronics | Internal, Isolated | 18-75** VDC | 1.77 (0.80) |
| DS-ZEB-303 | Cradle, No Electronics | N/A | N/A | 1.64 (0.74) |
| DS-ZEB-304 | Advanced I/O Electronics | Internal, Non-Isolated | 9-36* VDC | 1.84 (0.84) |
| DS-ZEB-304-AC | Advanced I/O Electronics | External Power | 12 VDC NOM | 1.80 (0.82) |
| Dimensions 8" Configuration | 7.221" (211.0 mm) H x 8.630" (219.0 mm) W x 2.895" (74.0 mm) D | | | |
| Dimensions 10" Configuration | 8.321" (211.0 mm) H x 8.630" (219.0 mm) W X 2.895" (74.0 mm) D | | | |

* DS-ZEB-300 Series docks configured for 9-36V DC Input have a fuse rated at 6.3A.

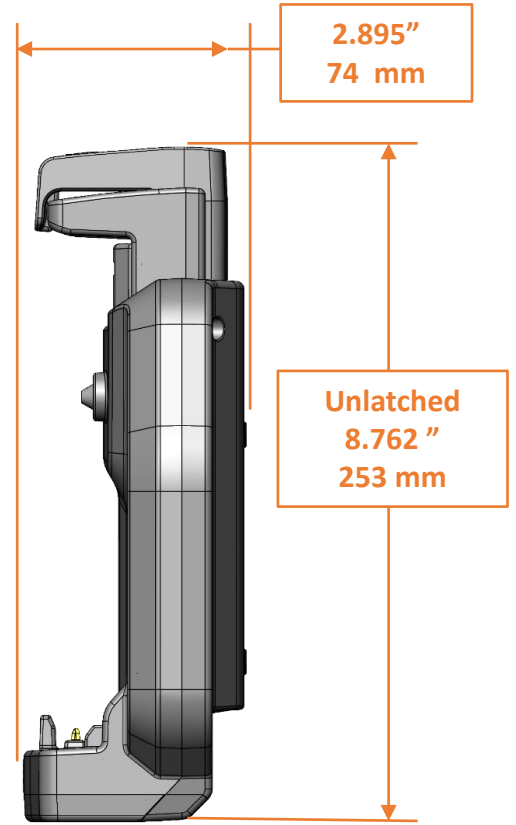
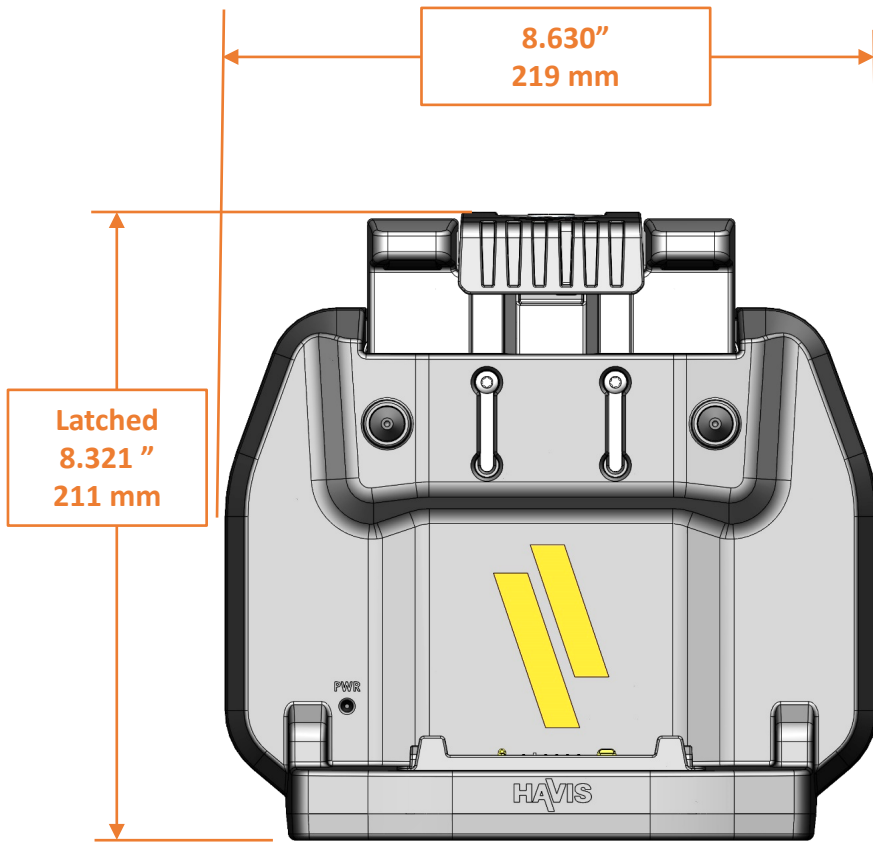
** DS-ZEB-300 Series docks configured for 18-75V DC Input have a fuse rated at 10A.

| | DS-ZEB-300 SERIES DOCK | ZEBRA ET4X 8" & 10" TABLET |
|------------------------------|------------------------------------|------------------------------------|
| Operating Environment | -4° F to 122° F (-20° C to 50° C) | -4° F to 122° F (-20° C to 50° C) |
| Storage Environment | -40° F to 185° F (-40° C to 85° C) | -40° F to 158° F (-40° C to 70° C) |

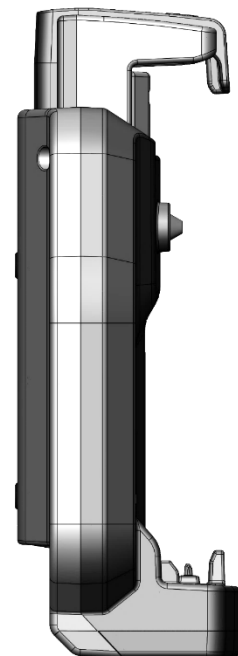
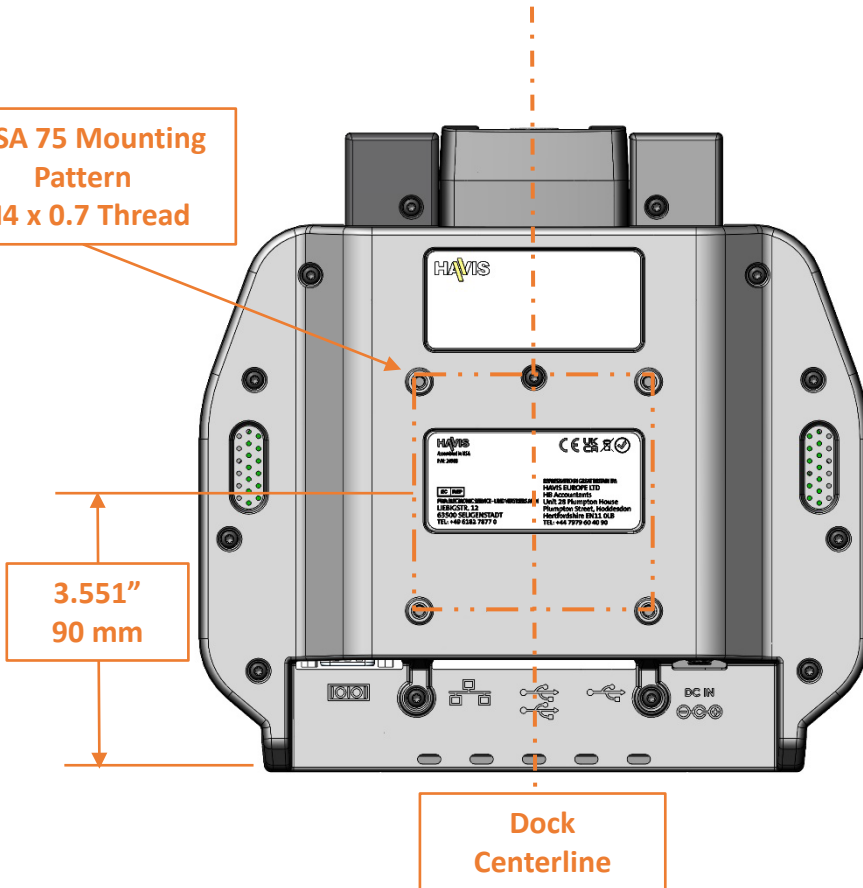
DS-ZEB-300 SERIES 8" CONFIGURATION SIZE SPECIFICATIONS



DS-ZEB-300 SERIES 10" CONFIGURATION SIZE SPECIFICATIONS

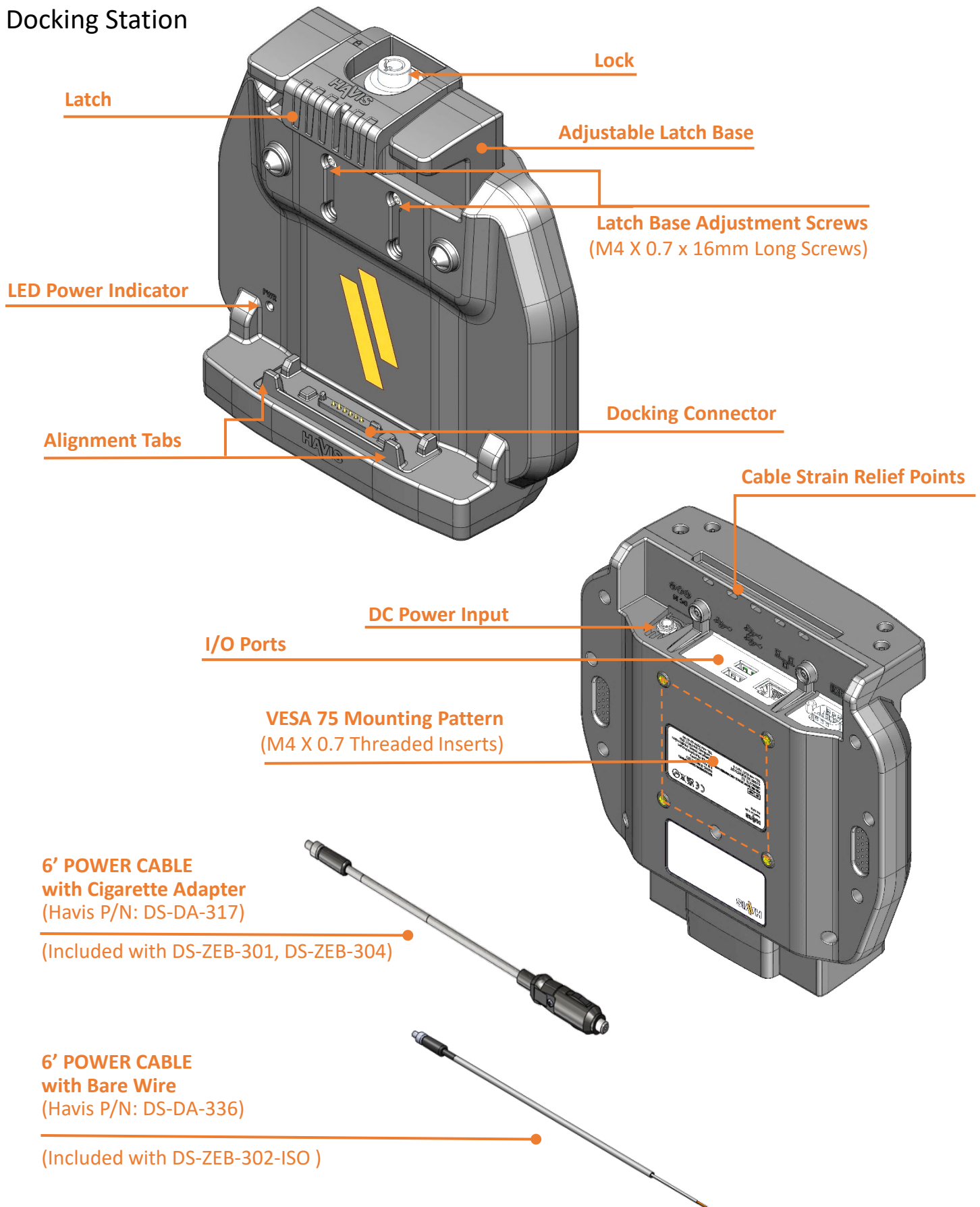


VESA 75 Mounting Pattern
M4 x 0.7 Thread



Parts Included

Docking Station



Parts Included (continued)

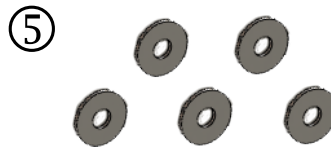
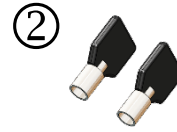
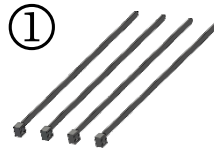
Hardware Kit (HWK-0031)

This Hardware Kit includes:

1. Zip Ties (4)
2. Keys (2)
3. M4 x 0.7 x 20mm long Pan Head Screws (5)
4. Split Lock Washers (5)
5. Washers, M4 (5)

Tools required for installation:

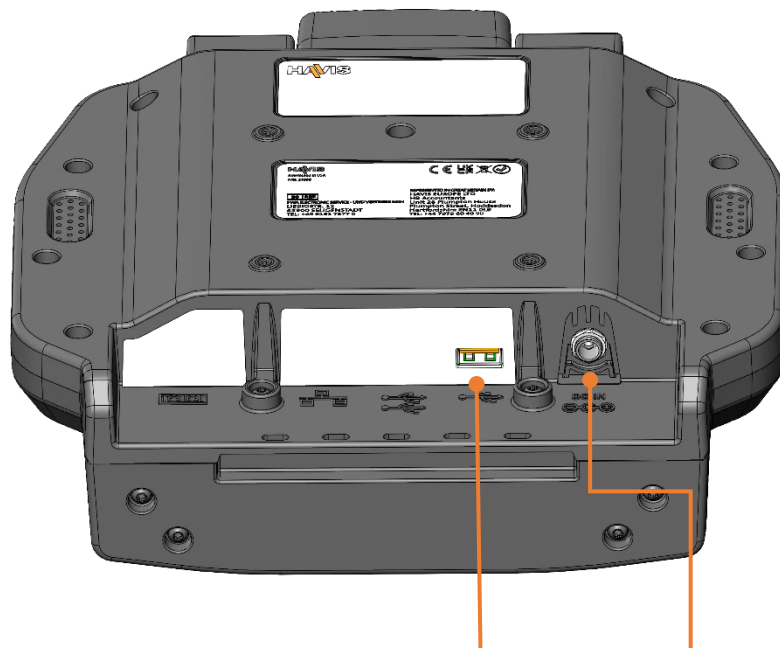
- #2 Phillips (For M4 Pan Head Screws)



Port Replication Capability

STANDARD I/O

DS-ZEB-301, DS-ZEB-301-AC, DS-ZEB-302-ISO



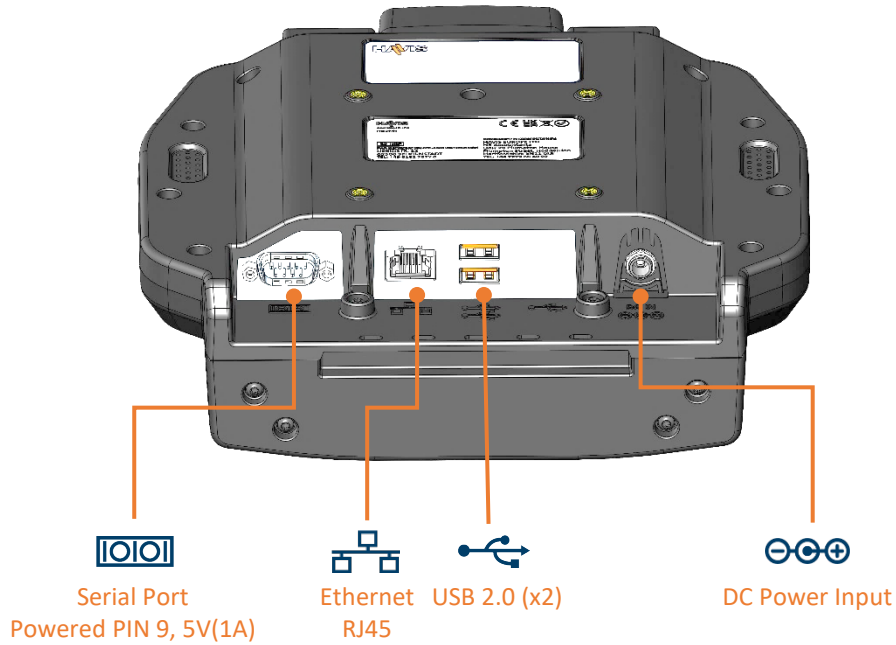
USB 2.0



DC Power Input

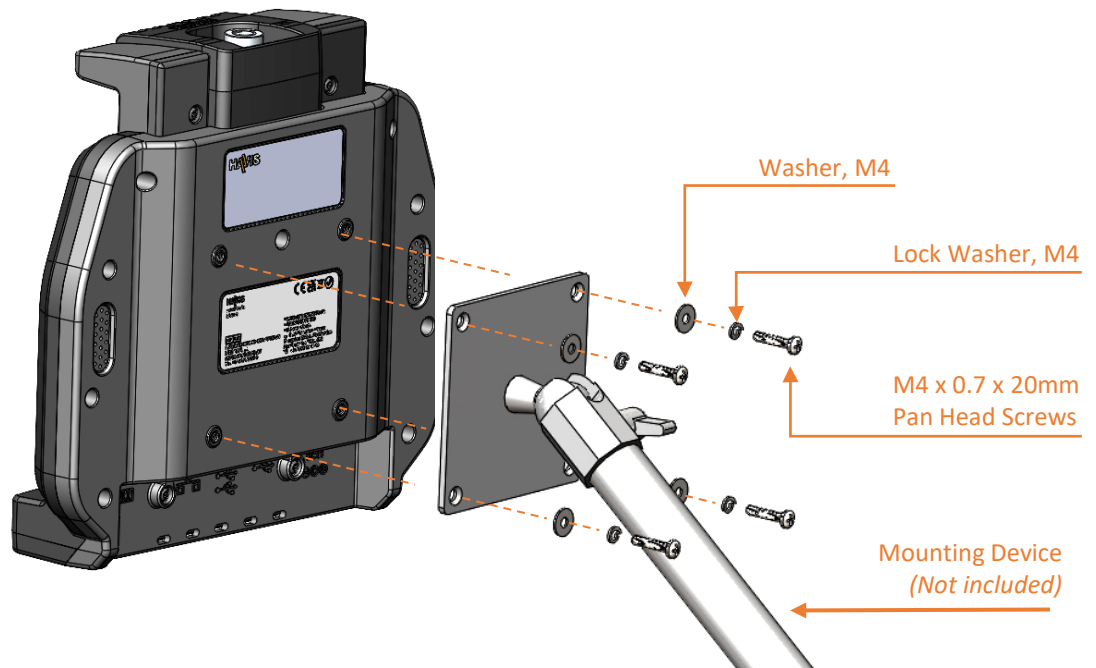
Port Replication Capability *(continued)*

ADVANCED I/O
DS-ZEB-304, DS-ZEB-304-AC



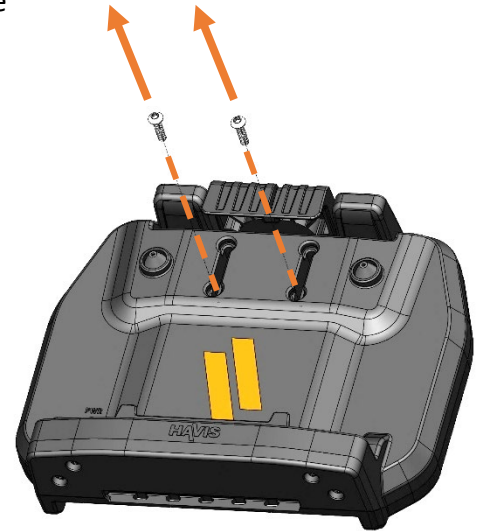
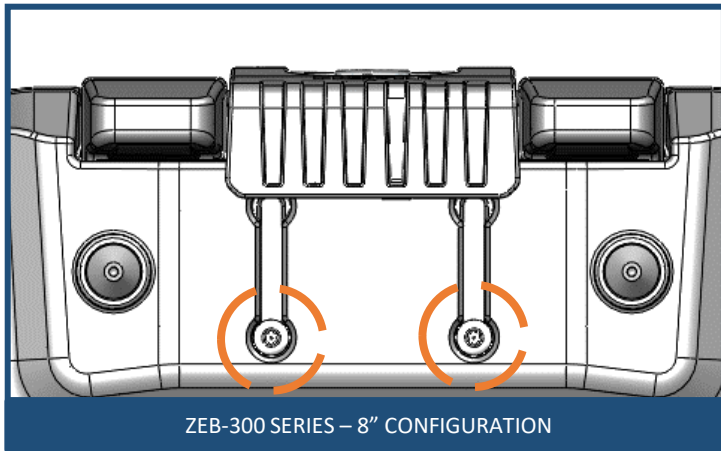
Installation

Align Docking Station mounting holes with the hole pattern on mounting device. Using the four (4) M4 0.7 x 20mm Pan Head Screws (Hardware Kit Item 3), four (4) Washers, M4 (Hardware Kit Item 5), and four (4) Lock Washers, M4 (Hardware Kit Item 4), secure the Docking Station to device. Torque screws to 20 in-lbs (2.3Nm) \pm 10%

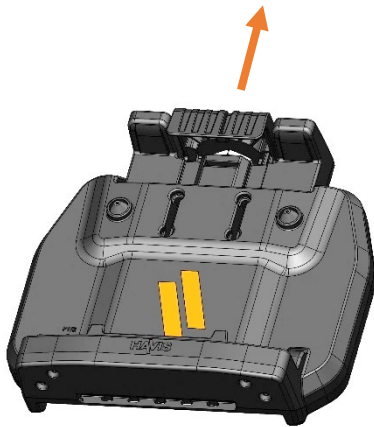


ADJUSTING THE LATCH BASE

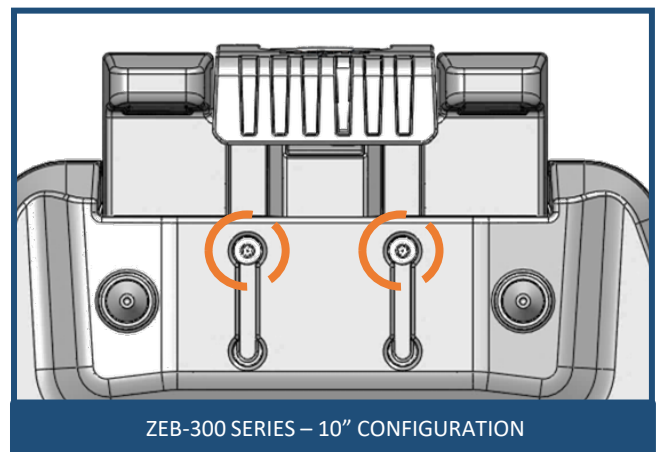
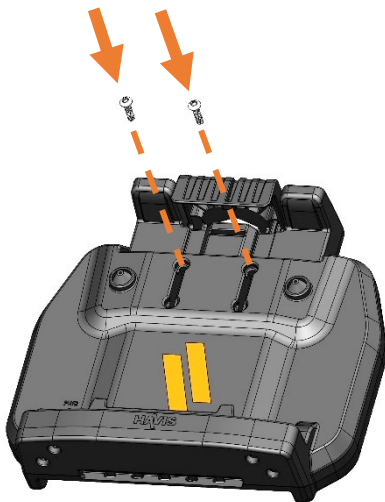
1. Remove the two M4x0.7 machine screws using a T20 Torx Drive



2. Extend the Latch Base to the 10" configuration.



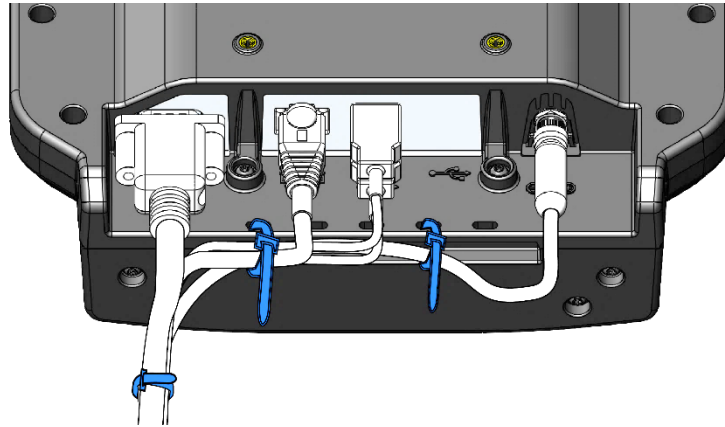
3. Reinstall the two Machine Screws and torque the screws to 20 in-lbs. (2.3Nm) \pm 10%. **DO NOT over tighten the two screws.**



4. Follow the same steps above to collapse the Latch Base back down to the 8" configuration. Remove the two screws, collapse the Latch Base down completely, and secure the position by reinstalling the screws and torque them to 20 in-lbs. (2.3Nm) \pm 10%.

Cable Management

- 1) Tip the Docking Station to a position that is comfortable to work with.
- 2) Install all cables that are necessary for computing needs.
- 3) Use Zip Ties (Hardware Kit Item 1) and the Strain Relief Points to secure cables and reduce risk of accidental disconnects and damage.



- 4) Create a service loop with cables to ensure that no tension is on the connectors and to enable intended motion.
- 5) Tie off cables onto a stationary part of the mounting system.

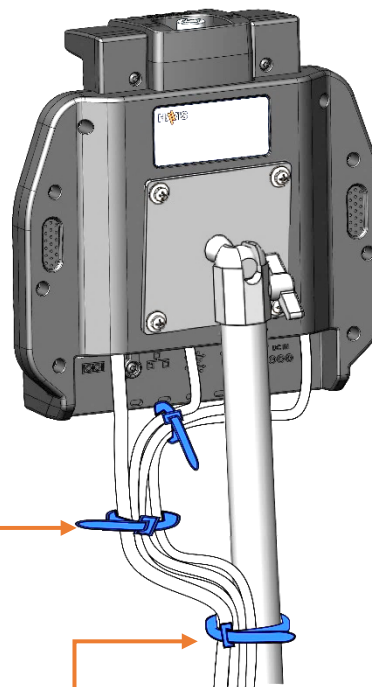
4

This loop must be large enough to allow full range of expected rotation and extension without stressing connections.

5

Collect cables to secure to the mounting system.

(Note: mounting system not included)

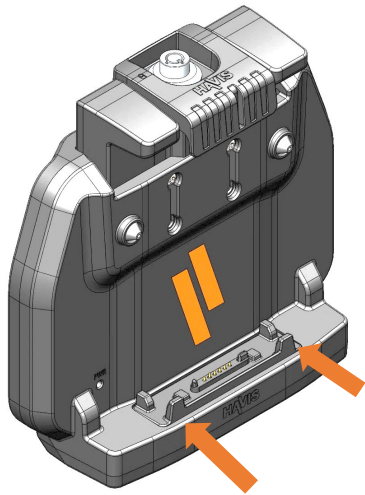


Operation - Docking

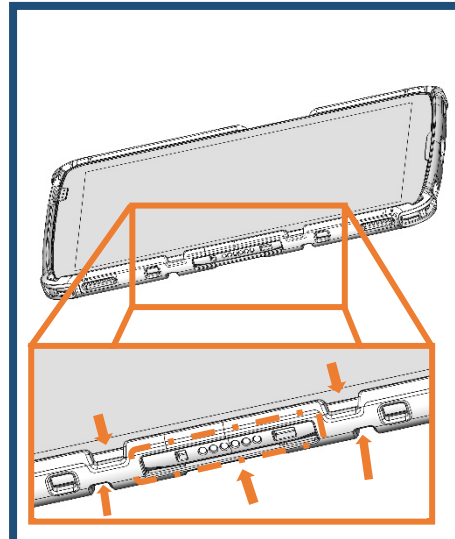
CAUTION

DO NOT FORCE TABLET ONTO DOCKING STATION. IF THERE IS RESISTANCE, CHECK ALIGNMENT OF TABLET ON DOCKING STATION.

NOTE: Ensure a proper connection by aligning the Tablet's Pockets in the Rugged Boot with the Docking Station's Alignment Posts



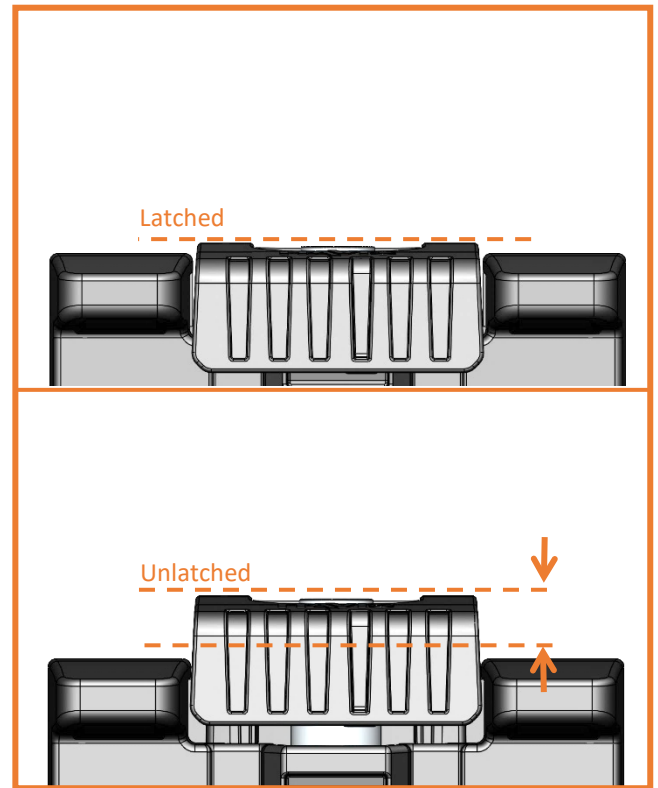
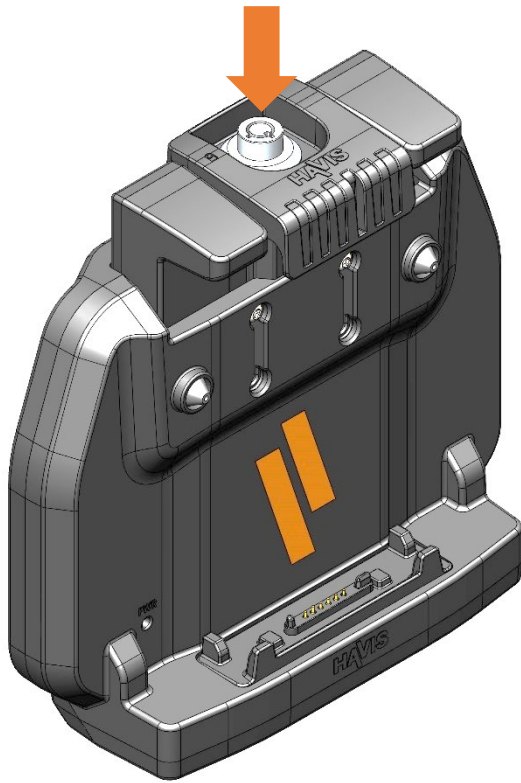
Alignment Posts on the DS-ZEB-300 Series Docking Station



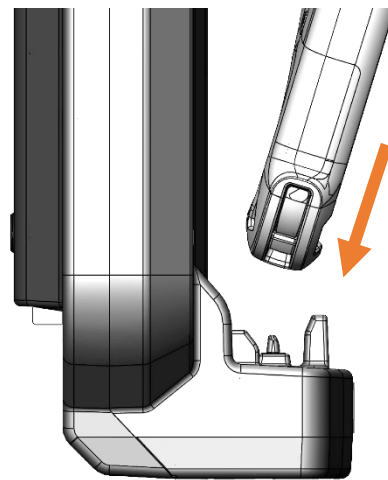
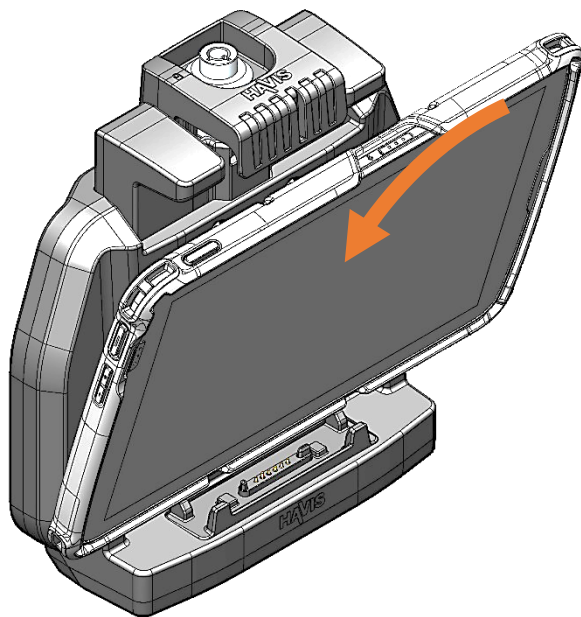
Alignment Sockets on the bottom of ZEBRA ET4X Tablet with Rugged Frame.

Operation - Docking

- 1) Docking Station must be unlatched before docking your tablet. Push down on the Lock button and release slowly.



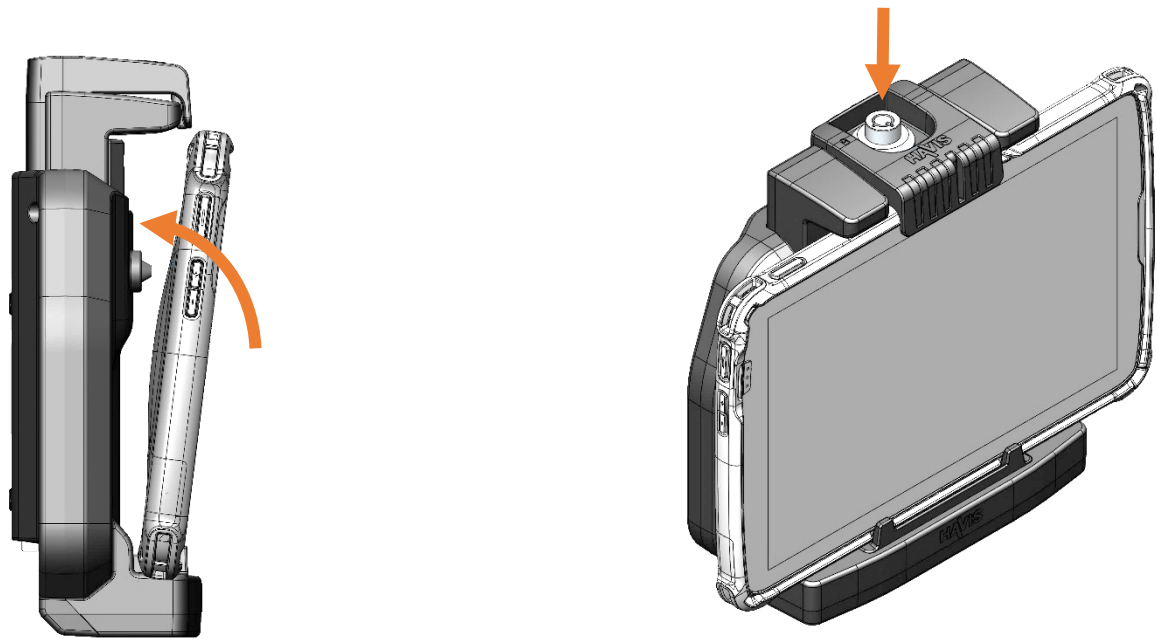
- 2) Hold the tablet in landscape orientation with the touchscreen facing out. Ensure the Tablet's I/O and alignment pockets on the tablet are angled toward the Docking Station. Lower the tablet onto the docking connector.



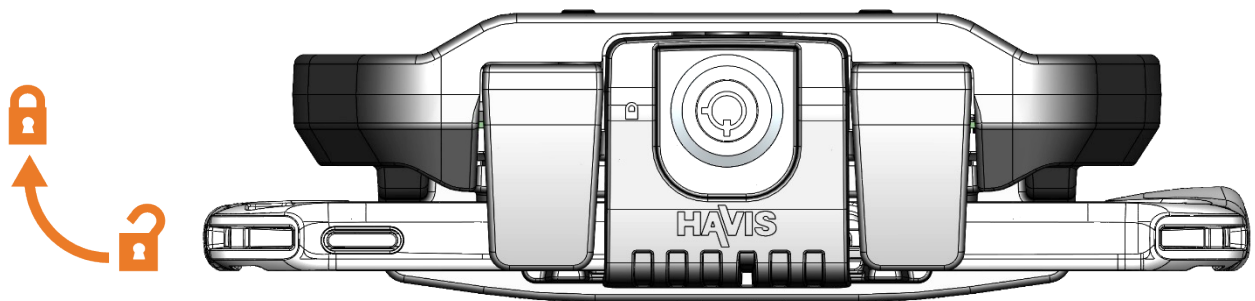
SIDE VIEW

Operation - Docking

- 3) Place the tablet into the Docking Station and hold while pressing the Latch Handle to secure the tablet in place. You will hear an audible click when Latch Hook is fully engaged. Tug up on the latch to ensure it is fully engaged.

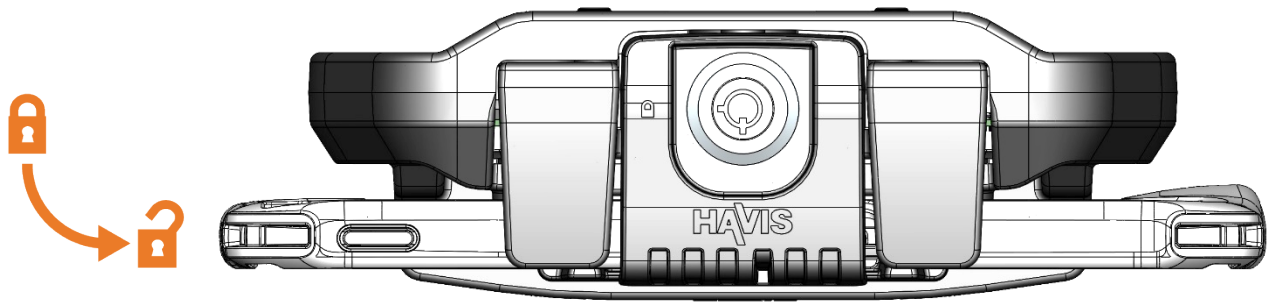


- 4) For theft deterrence, secure tablet by locking the Docking Station with supplied key (Hardware Kit Item 2).

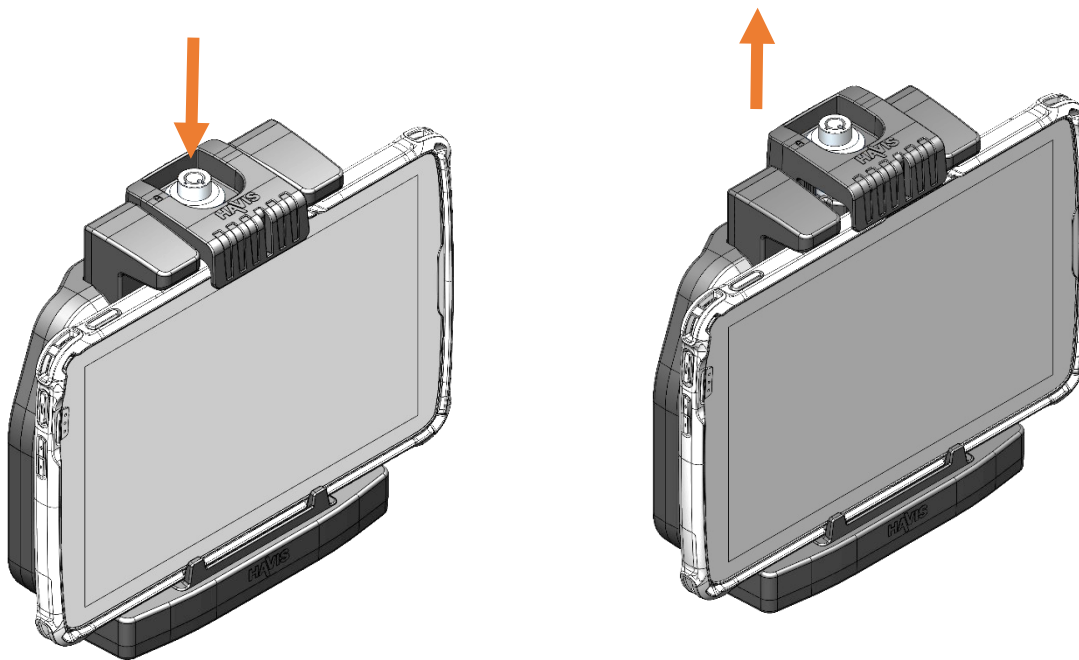


Operation - Undocking

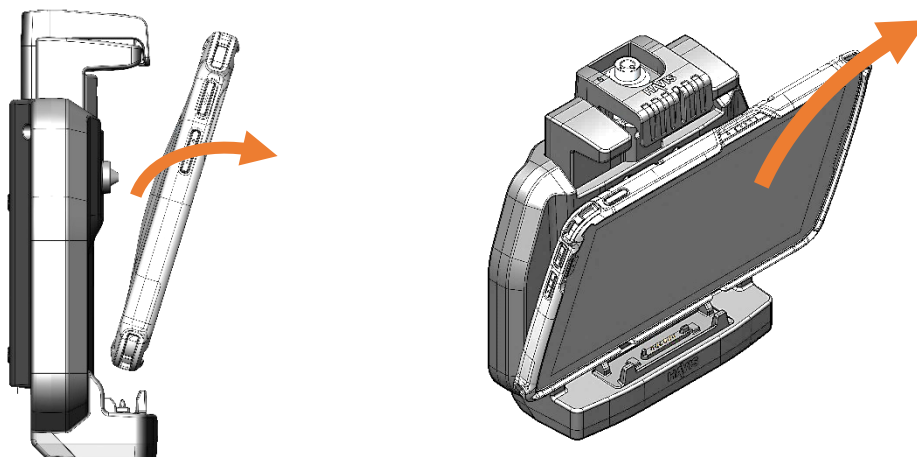
- 1) If previously locked, unlock the Docking Station using supplied key.



- 2) Secure tablet to avoid inadvertent ejection from Docking Station. Push down on the Lock button and release quickly taking care not to obstruct the travel of the Latch Hook. If the Latch Hook does not extend fully to its unlatched position, lift up lightly on the front of the Latch Hook to fully release.



- 3) Once unlatched, pull the tablet forward and carefully lift out of Docking Station.



Regulatory Information

Canada

CAN ICES-3 (B) / NMB-3 (B)

Class B equipment

This class B digital apparatus meets all requirements of the Canadian Interference-Causing Equipment Regulations.

Équipement de classe B

Cet appareil numérique de la classe B respecte toutes les exigences du Règlement sur le matériel brouilleur du Canada.

United States of America

FCC Compliance

This device complies with part 15 of the FCC Rules. Operation is subject to the following two conditions: (1) This device may not cause harmful interference, and (2) this device must accept any interference received, including interference that may cause undesired operation.

Note: This equipment has been tested and found to comply with the limits for a Class B digital device, pursuant to part 15 of the FCC Rules. These limits are designed to provide reasonable protection against harmful interference in a residential installation. This equipment generates, uses and can radiate radio frequency energy and, if not installed and used in accordance with the instructions, may cause harmful interference to radio communications. However, there is no guarantee that interference will not occur in a particular installation. If this equipment does cause harmful interference to radio or television reception, which can be determined by turning the equipment off and on, the user is encouraged to try to correct the interference by one or more of the following measures:

- Reorient or relocate the receiving antenna.
- Increase the separation between the equipment and receiver.
- Connect the equipment into an outlet on a circuit different from that to which the receiver is connected.
- Consult the dealer or an experienced radio/TV technician for help.

Changes or modifications not expressly approved by the party responsible for compliance could void the user's authority to operate the equipment.

Responsible party (contact for FCC matters only):

Havis, Inc.
75 Jacksonville Road
Warminster, PA 18974
havis.com/contact-us

Regulatory Information *(continued)*

European Union

Waste Electrical and Electronic Equipment (WEEE)

Electrical and electronic equipment (EEE) contain materials, components and substances that can be hazardous and harmful to human health and the environment when WEEE is not disposed of properly.

Products marked with the "crossed-out wheeled bin" symbol are EEE. The crossed-out wheeled bin symbolizes that WEEE must not be disposed of together with unsorted household waste, but must be collected separately.

For this purpose, all municipalities have established collection schemes where WEEE can be handed in, free of charge, by citizens at recycling stations or other collection points or collected directly from households. Further information should be obtained from the municipality's technical administration.



This symbol on the product or on its packaging indicates that the product must not be disposed of with normal household waste. Instead, it is your responsibility to dispose of your waste equipment by arranging to return it to a designated collection point for the recycling of WEEE. By separating and recycling your waste equipment at the time of disposal, you will help to conserve natural resources and ensure that the equipment is recycled in a manner that protects human health and the environment. This product is EEE and shall not be placed in the municipal waste after end of its life. This device should be handled properly and handed over to appropriate collection places or to authorized companies.

Conformité Européene (CE) Mark



The CE marking on a Havis product indicates conformity to the provisions of applicable European Union (EU) directives. The EU Declaration of Conformity (DoC) is the manufacturer's declaration that the product complies with those directives.

Related Products

Havis offers a wide variety of accessory products specifically for use with your Docking Station. For more information or to order, please visit www.havis.com.



LPS-174

60W ISOLATED POWER SUPPLY, 10-32V DC INPUT

Isolated power supply with 72" hardwired, bare-wire input cable, and 72" output cable with threaded Switchcraft connector.



LPS-175

60 W, USB-C, DC POWER ADAPTER FOR DS-ZEB-103, DS-ZEB-203, AND DS-ZEB-303 CRADLES

60 Watt power supply with 72" cigarette adapter input cable and hardwired 36" USB-C output cable.



LPS-193

60W ISOLATED POWER SUPPLY, 20-60V DC INPUT

Isolated power supply with 72" hardwired, bare-wire input cable, and 72" output cable with threaded Switchcraft connector.



DS-DA-317

Replacement Power Cable with Switchcraft Connector and Cigarette Adapter

6' long power cable with threaded Switchcraft connector and cigarette adapter.



DS-DA-336

Replacement Power Cable with Switchcraft Connector and Bare-wire Leads

6' long power cable with threaded Switchcraft connector, and bare-wire cables for hardwired installations.



DS-DA-502

Replacement Keys

Set of two (2) replacement keys.



LPS-167

AC POWER SUPPLY WITH SWITCHCRAFT CONNECTOR

100-240 VAC, 12V DC 60W Output with hardwired Switchcraft Connector, 761K.