

Owner's Manual Havis Docking Station For Panasonic TOUGHBOOK 33

DS-PAN-1110 Series

DS-PAN-1111 DS-PAN-1112 DS-PAN-1113 DS-PAN-1114 DS-PAN-1115 DS-PAN-1116
DS-PAN-1111-2 DS-PAN-1112-2 DS-PAN-1114-2 DS-PAN-1115-2



Before Beginning

Havis is pleased to provide this Owner's Manual to aid in the proper installation and use of the DS-PAN-1110 Series Docking Station for the Panasonic TOUGHBOOK 33.

For questions regarding the set-up of your DS-PAN-1110 Series Docking Station, please contact Havis at 1-800-524-9900 or visit www.havis.com for additional product support and information.

This Owner's Manual applies to the following Part Numbers:

DS-PAN-1111	DS-PAN-1112	DS-PAN-1113	DS-PAN-1114	DS-PAN-1115	DS-PAN-1116
DS-PAN-1111-2	DS-PAN-1112-2		DS-PAN-1114-2	DS-PAN-1115-2	

⚠ WARNING

- NEVER STOW OR MOUNT THE DOCKING STATION DIRECTLY IN A VEHICLE AIRBAG DEPLOYMENT ZONE.
- DO NOT USE COMPUTER WHILE DRIVING.
- NE JAMAIS RANGER OU INSTALLER LA STATION D'ACCUEIL DIRECTEMENT DANS LA ZONE DE DÉPLOIEMENT DES COUSSINS GONFLABLES D'UN VÉHICULE.
- NE PAS UTILISER L'ORDINATEUR EN CONDUISANT.

⚠ CAUTION

- READ ALL INSTRUCTIONS THOROUGHLY BEFORE BEGINNING INSTALLATION.
- DO NOT STORE, INSTALL, OR OPERATE THE DOCKING STATION WHERE WATER, MOISTURE, STEAM, DUST, ETC. ARE PRESENT
- DO NOT DOCK OR UNDOCK YOUR COMPUTER UNLESS IT IS POWERED OFF. DOCKING OR UNDOCKING WITH YOUR COMPUTER IN ON, STANDBY, HIBERNATION, OR SLEEP MODES CAN CAUSE PERMANENT DAMAGE.
- FOR THE DS-PAN-1111, DS-PAN-1111-2, DS-PAN-1112, DS-PAN-1112-2, DS-PAN-1114, DS-PAN-1114-2, DS-PAN-1115, & DS-PAN-1115-2 DOCKING STATIONS: DO NOT CONNECT DIRECTLY TO VEHICLE VOLTAGE SOURCE: This product requires a certified, automotive grade, Panasonic approved 120W power source rated for a continuous, regulated 15.6 VDC output (*Havis Part Number 120N-B01-R03-1 or equivalent*). Failure to comply with this requirement will cause product damage that is NOT repairable and is NOT covered under warranty.
- FOR THE DS-PAN-1113 & DS-PAN-1116 DOCKING STATION: DO NOT CONNECT DIRECTLY TO VEHICLE VOLTAGE SOURCE: The Panasonic TOUGHBOOK 33 requires a certified, Panasonic approved power source rated for a continuous, regulated 15.6 VDC output. Failure to comply with this requirement will cause product damage that is NOT repairable and is NOT covered under warranty.
- DO NOT DOCK TABLET IN REVERSE POSITION, DOING SO CAN CAUSE PERMANENT DAMAGE.
- LIRE ATTENTIVEMENT TOUTES LES INSTRUCTIONS AVANT DE COMMENCER L'INSTALLATION.
- NE PAS ENTREPOSER, INSTALLER OU UTILISER LA STATION D'ACCUEIL DANS UN ENDROIT OÙ DE L'EAU, DE L'HUMIDITÉ, DE LA VAPEUR, DE LA POUSSIÈRE, ETC. SONT PRÉSENTES
- NE CONNECTEZ OU DÉCONNECTEZ PAS VOTRE ORDINATEUR S'IL N'EST PAS ÉTEINT. LA MISE EN MARCHÉ OU L'ARRÊT DE VOTRE ORDINATEUR EN MODE MARCHÉ, VEILLE, HIBERNATION OU SOMMEIL PEUT CAUSER DES DOMMAGES PERMANENTS.
- POUR LES STATIONS D'ACCUEIL DS-PAN-1111, DS-PAN-1111-2, DS-PAN-1112, DS-PAN-1112-2, DS-PAN-1114, DS-PAN-1114-2, DS-PAN-1115, & DS-PAN-1115-2 : NE PAS CONNECTER DIRECTEMENT À LA SOURCE DE TENSION DU VÉHICULE : Ce produit nécessite une source d'alimentation de 120 W certifiée de qualité automobile, approuvée par Panasonic et conçue pour une sortie continue et régulée de 15,6 VDC (numéro de pièce Havis 120N-B01-R03-1 ou équivalent). Le non-respect de cette exigence entraînera des dommages au produit qui ne sont PAS réparables et qui ne sont PAS couverts par la garantie.
- POUR LA STATION D'ACCUEIL DS-PAN-1113 & DS-PAN-1116 : NE PAS CONNECTER DIRECTEMENT À LA SOURCE DE TENSION DU VÉHICULE : Le TOUGHBOOK 33 de Panasonic nécessite une source d'alimentation certifiée, approuvée par Panasonic et prévue pour une sortie continue et régulée de 15,6 VDC. Le non-respect de cette exigence entraînera des dommages au produit qui ne sont PAS réparables et ne sont PAS couverts par la garantie.
- NE PAS FIXER LA TABLETTE EN POSITION INVERSÉE, CAR CELA POURRAIT CAUSER DES DOMMAGES PERMANENTS.

NOTICE

- FOR DOCKING STATION MODELS EQUIPPED WITH A BUNDLED POWER SUPPLY (DS-PAN-1112, DS-PAN-1112-2, DS-PAN-1115, DS-PAN-1115-2, & DS-PAN-1116) REFER TO THE SUPPLIED POWER SUPPLY REFERENCE GUIDE.
- WHEN TABLET IS DOCKED, THE BATTERY WILL ONLY CHARGE BETWEEN 10°C to 35°C (50°F to 95°F). PLEASE REFER TO PANASONIC TOUGHBOOK 33 OWNER'S MANUAL FOR MORE INFORMATION.

Before Beginning

Precautions/Précautions

- Do not place metal objects or containers of liquid on top of the Docking Station
 - If a malfunction occurs, immediately unplug the Power Supply and remove the laptop
 - Use only the specified Power Supply (Part # 120N-B01-R03-1) with this Docking Station
 - Do not connect cables into ports other than what they are specified for
 - Do not leave the Docking Station in a high temperature environment (greater than 85°C, 185°F) for a long period of time
 - Do not open display of laptop too far while docked, or damage may result (*See page 12*)
-
- Ne placez pas d'objets métalliques ou de contenants avec des liquides sur la station d'accueil
 - En cas de dysfonctionnement, débranchez immédiatement l'alimentation électrique et retirez l'ordinateur portable
 - Utilisez uniquement l'alimentation électrique spécifiée (partie # 120N-B01-R03-1) avec cette station d'accueil
 - Ne pas connecter les câbles dans des ports autres que ceux spécifiés
 - Ne laissez pas la station d'accueil dans un environnement à température élevée (plus de 85°C, 185°F) pendant une longue période
 - N'inclinez pas trop l'écran de l'ordinateur vers l'arrière lorsque celui-ci se trouve sur la station, car des dommages pourraient survenir (*Voir page 12*)

Specifications

Power Supply Input	15.6V DC-In
Dimensions	2.7" (6.9 cm) H x 12.5" (31.7 cm) W x 11.7" (29.8 cm) D
Weight	5.4 lbs. (2.4 kg)
Operating Environment	-10° C to 50° C (14° F to 122° F)
Storage Environment	-20° C to 60° C (-4° F to 140° F)

EC DECLARATION OF CONFORMITY in accordance with EN 50498

Manufacturers Name: Havis, Inc.

Manufacturers Address: 75 Jacksonville Road, Warminster, PA 18974 USA

Declares under our sole responsibility that the product:

Product name: Havis Docking Station for Panasonic TOUGHBOOK 33

Model: DS-PAN-11XY-Z, where 'X, Y, Z' may be any alphanumeric character and which describes product options. May be followed by any alphanumeric characters which describe product options.

Product Options: This declaration covers all options of the above product which bear the CE Marking.

Is in conformity with the following standards or other normative documents:

Automotive EMC Directive EN 50498:2010, Electromagnetic compatibility (EMC) -
2004/108/EC: Product family standard for aftermarket electronic equipment in vehicles
Directive 2011/65/EU Restriction of the use of certain hazardous substances (RoHS)

Supplementary Information:

The product herewith complies with the requirements of the Automotive EMC Directive 2004/108/EC, Annex I, 6.5, 6.6, 6.8, and 6.9. This product requires the use of a recommended e-Marked automotive power supply when used within vehicles.

Warminster, PA, USA

September 25, 2019

Bruce Jonik, Director of Engineering, Havis, Inc.

FCC 47CFR, Part 15 compliance: This is an FCC Class B device. Any changes or modifications to the model DS-PAN-11XY-Z not expressly approved by Havis, Inc. could void the user's authority to operate this equipment.

Parts Included

Docking Station

Rear Hooks (x2)

Locator Pins (x2)

Front Fence

Ground Pins (x3)

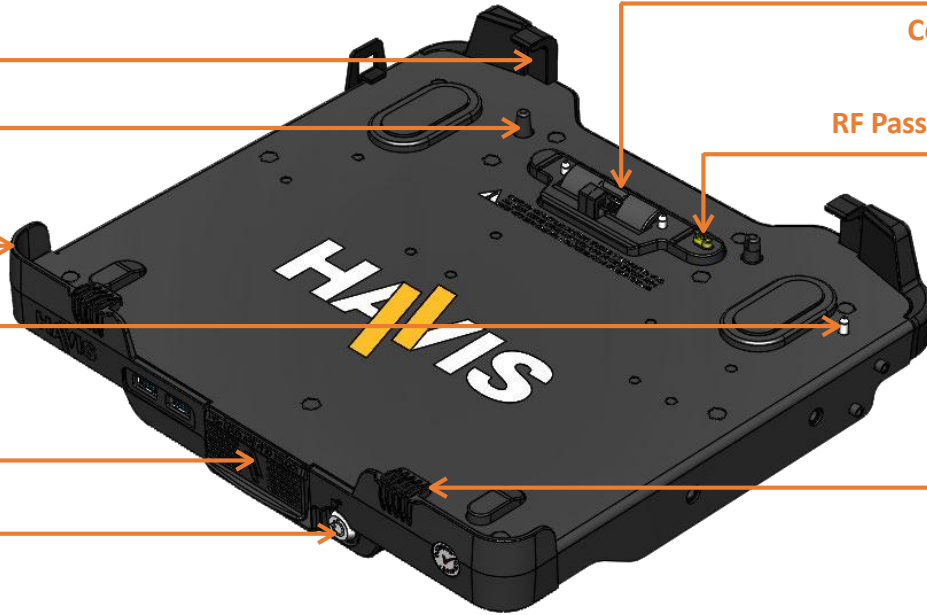
Release Handle

Barrel Lock

Docking Connector with
Connector Protection

RF Pass Through (optional)

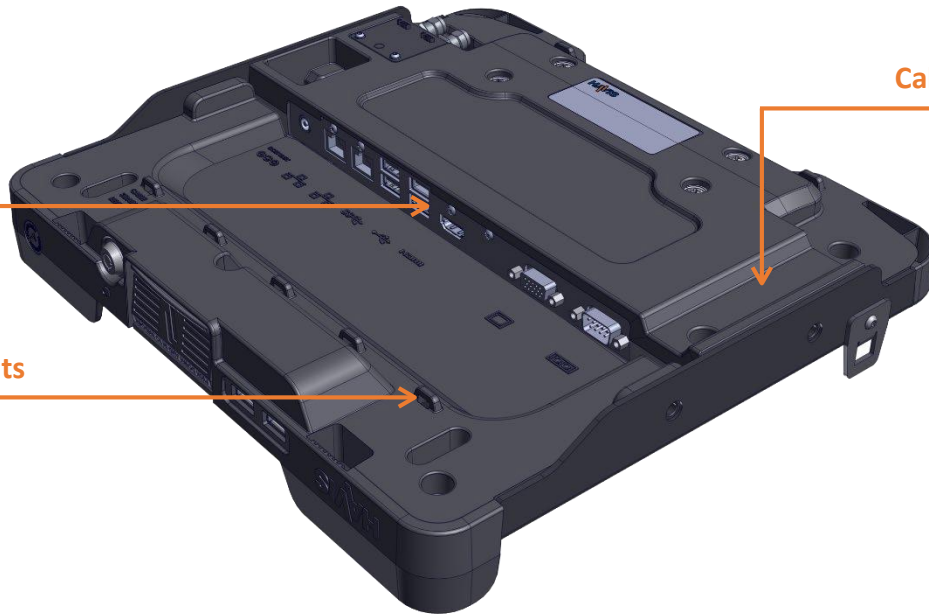
Front Hooks (x2)



Ports

Strain Relief Points

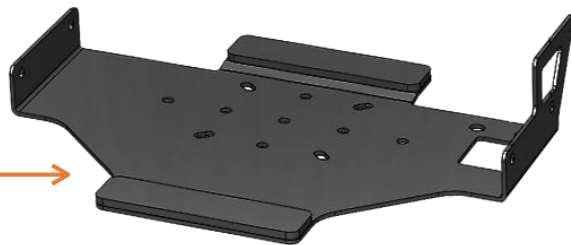
Cable Routing Channel



Mounting Bracket

Laptop Screen Security

(Part # DS-DA-236)



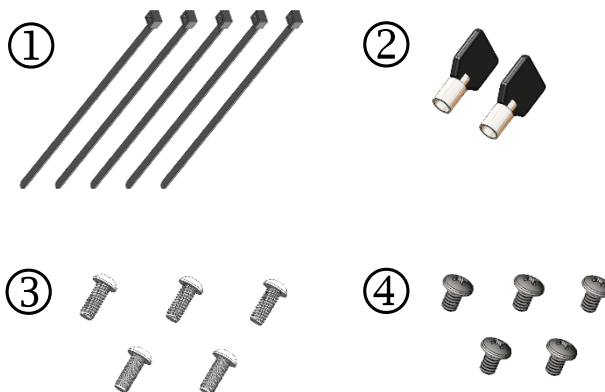
Hardware Included

Parts Included (continued)

Hardware Kit (HWK-0046)

This Hardware Kit includes:

1. Zip Ties (5)
2. Keys (2)
3. 1/4"-20 x 5/8" long Button Head Screws (5)
4. Phillips 1/4"-20 x 3/8" long Screws (5)



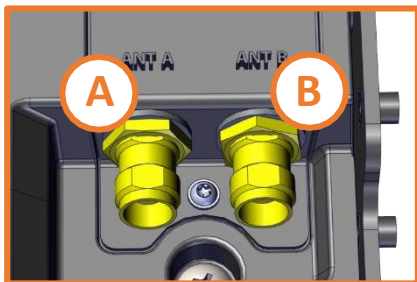
Tools required for installation:

- 5/32" Hex Drive
(For attaching Mounting Bracket to Motion Device with Button Head 1/4"-20 Screws)
- #3 Phillips
(For attaching Docking Station to Mounting Bracket with Button Head 1/4"-20 Screws)
- T10 Pin-In Torx Bit – *Included with DS-DA-236*
(For attaching DS-DA-236 to Docking Station)

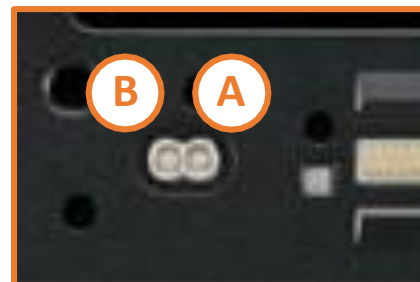
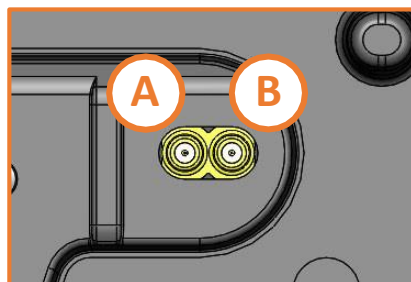
Antenna Identification

DS-PAN-1111-2, DS-PAN-1112-2, DS-PAN-1114-2, & DS-PAN-1115-2

Antenna Connectors (TNC)



Laptop Interface



Top View
Docking Station

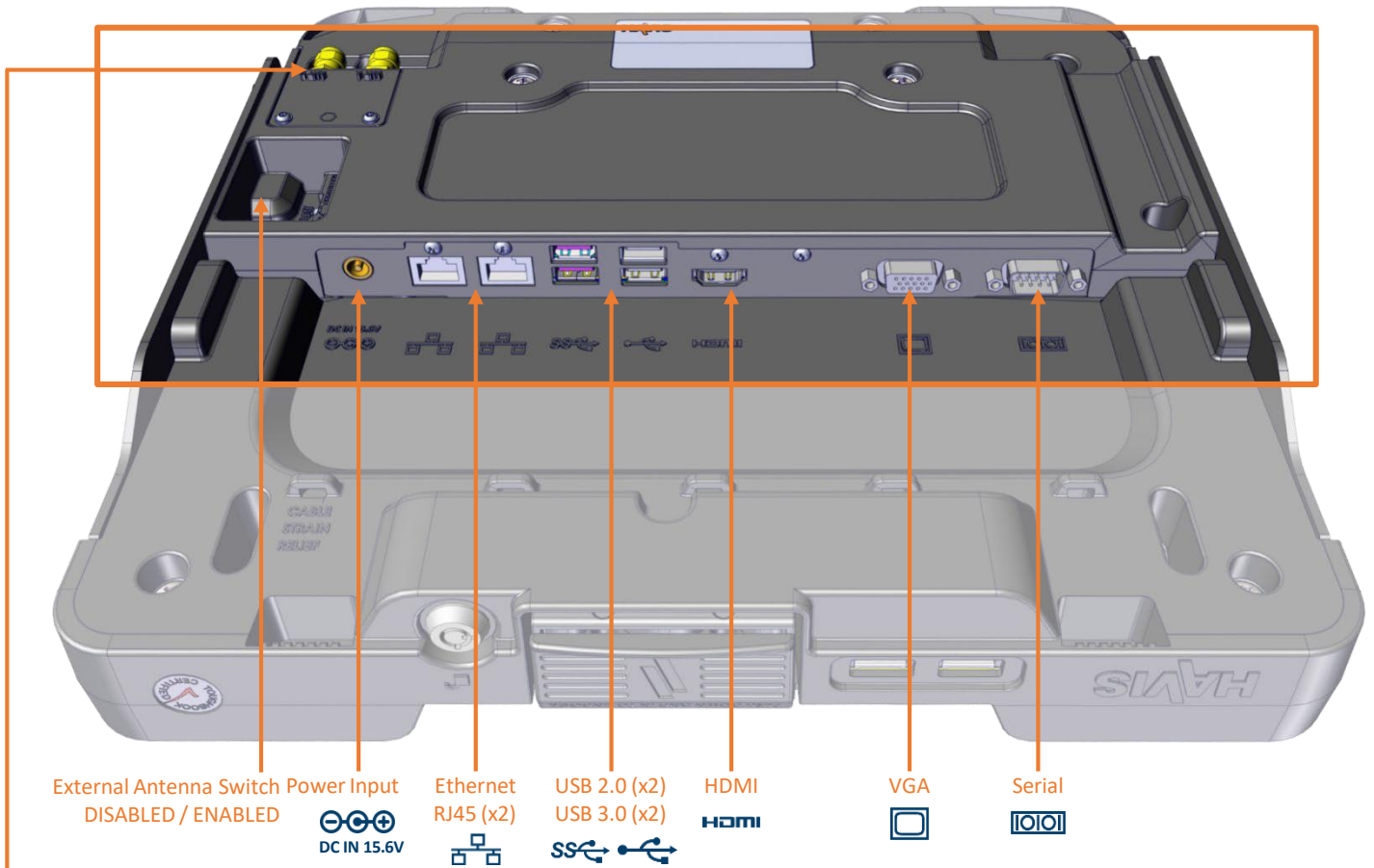


Bottom View
TOUGHBOOK 33

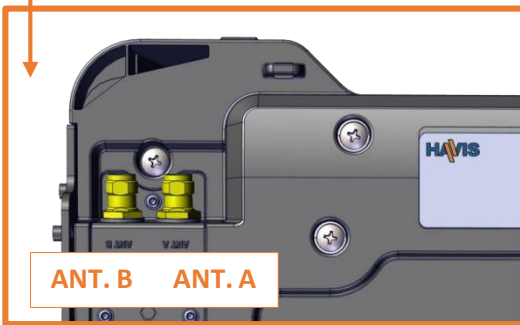
Port Replication Capability

Forward Facing Ports

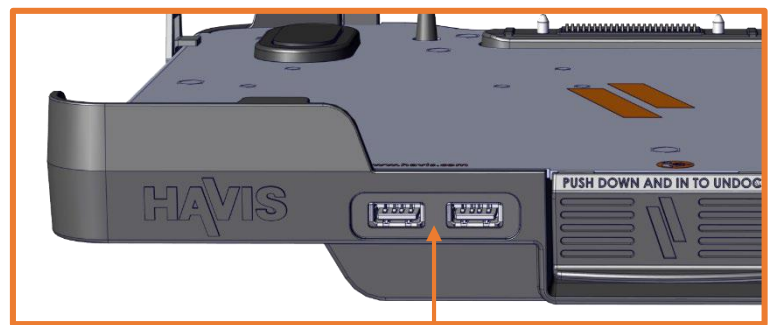
DS-PAN-1111, DS-PAN-1111-2, DS-PAN-1112, DS-PAN-1112-2



Antenna Connection (TNC)
Optional Part IDs: DS-PAN-1111-2, DS-PAN-1112-2



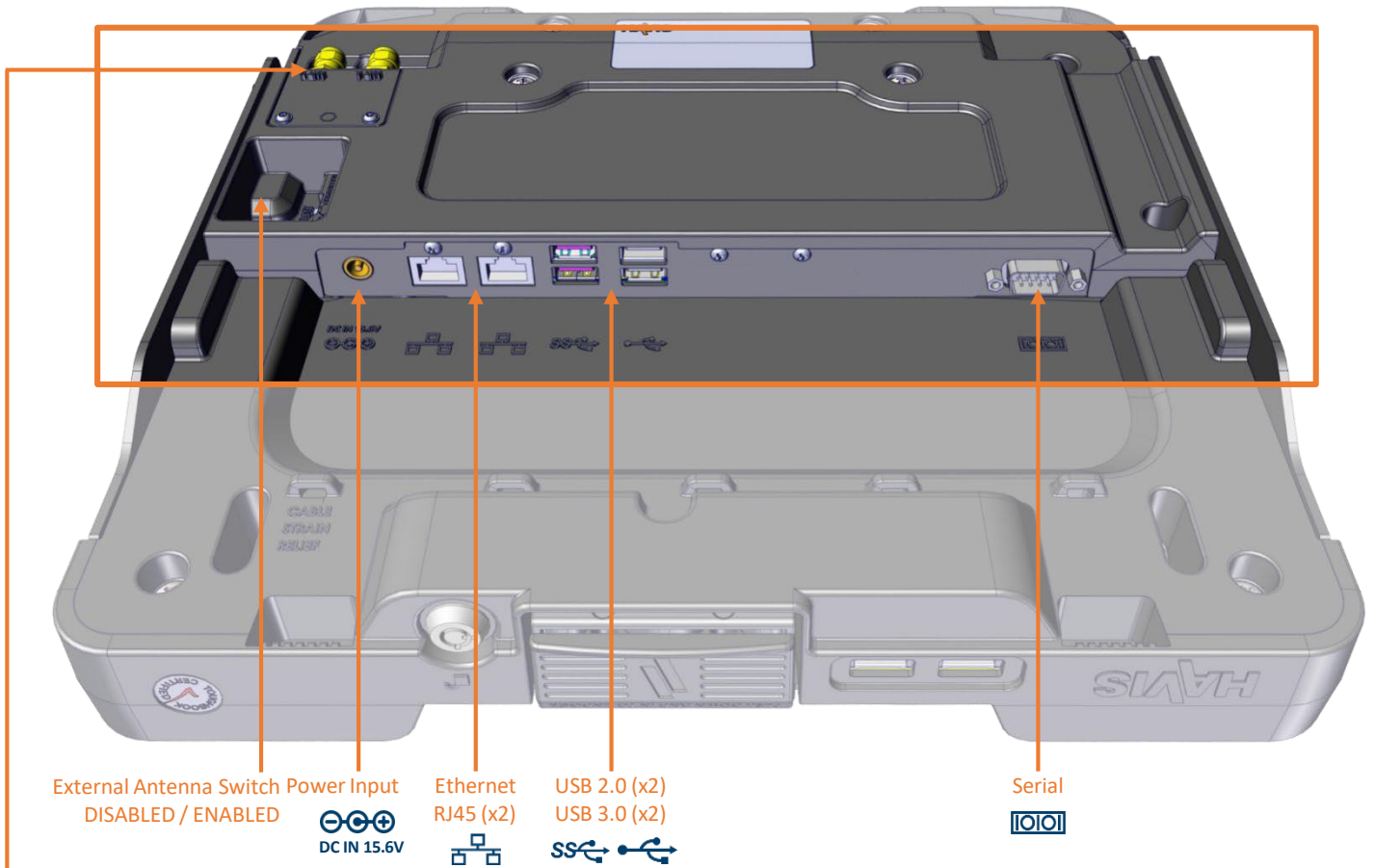
Front Facing Ports
(DS-PAN-1111, DS-PAN-1111-2, DS-PAN-1112, DS-PAN-1112-2)



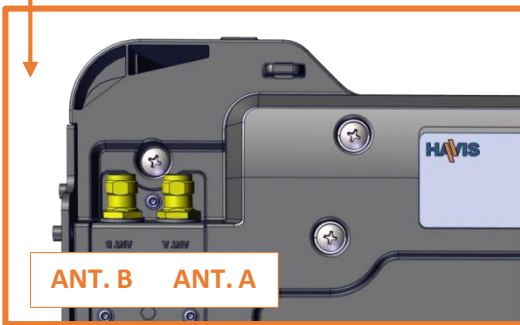
Port Replication Capability

Forward Facing Ports

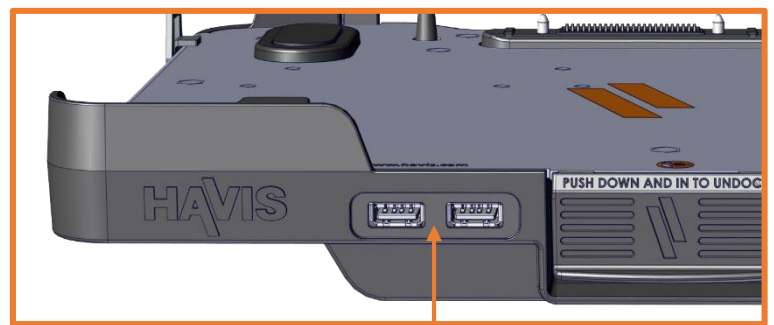
DS-PAN-1114, DS-PAN-1114-2, DS-PAN-1115, DS-PAN-1115-2



Antenna Connection (TNC)
Optional Part IDs: DS-PAN-1114-2, DS-PAN-1115-2



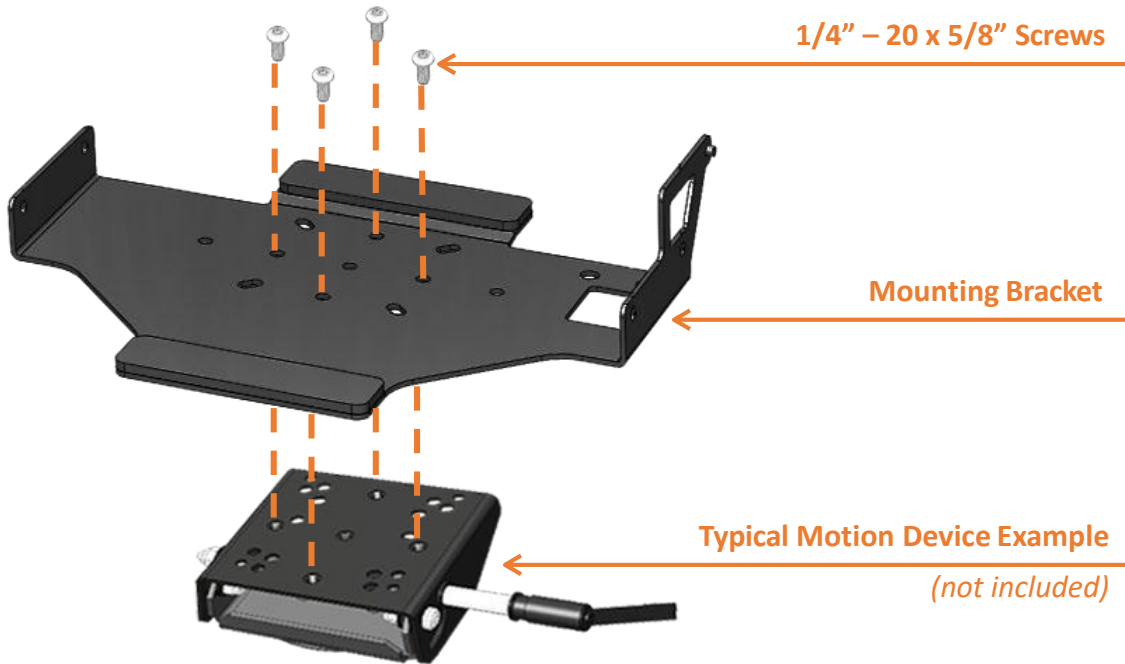
Front Facing Ports
(DS-PAN-1114, DS-PAN-1114-2, DS-PAN-1115, DS-PAN-1115-2)



USB 2.0

Installation & Cable Management

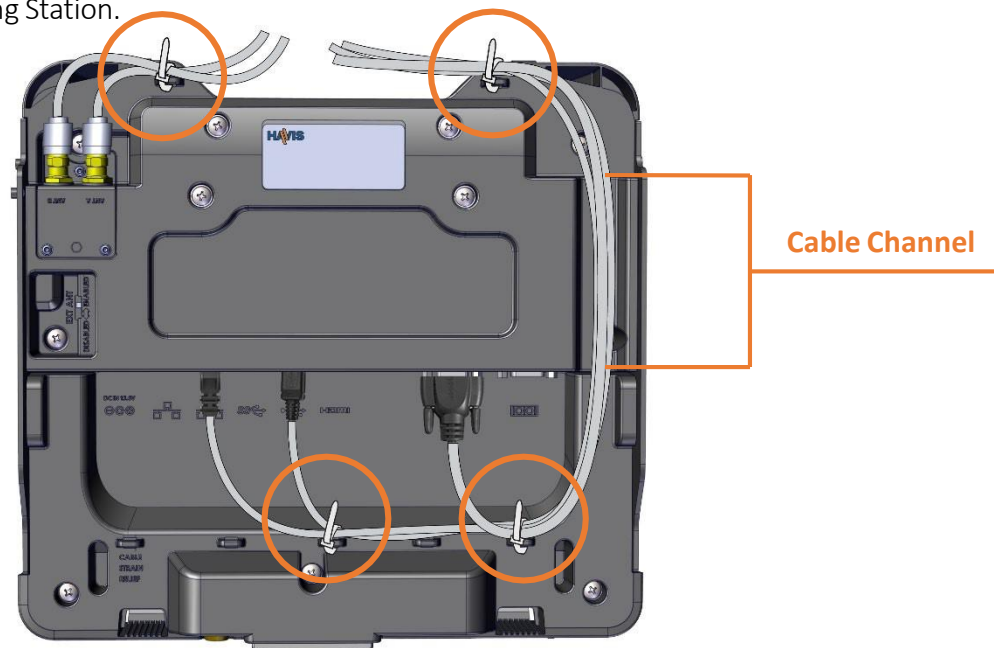
- 1) Remove the Mounting Bracket from the packaging. Install the Mounting Bracket to the Motion Device using (4) 1/4"-20 x 5/8" long screws (Hardware Kit Item 3). Torque screws to 80 in-lbs (9.0Nm) ± 10%. NOTE: Numerous hole patterns present in Mounting Bracket will accommodate Havis Motion Devices as well as most competitors'.



NOTE: We recommend applying a drop of medium strength (blue) thread locking adhesive to the threads of all fasteners.

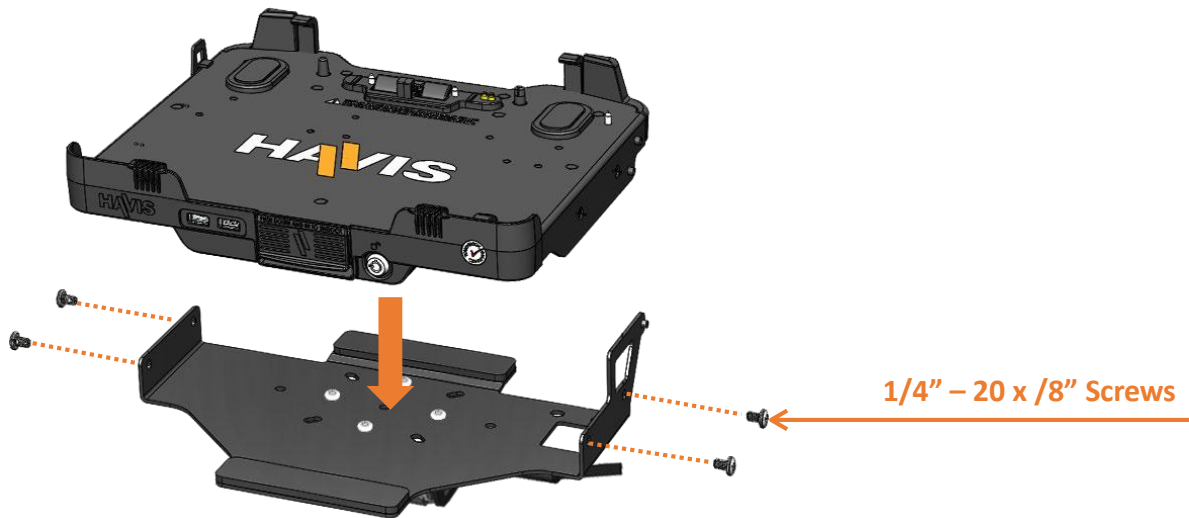
NOTE: Nous recommandons d'appliquer une goutte d'adhésif de blocage de force moyenne (bleu) sur les fils de toutes les fixations.

- 2) Orient the Docking Station in a position that is comfortable to work with.
- 3) Install all cables that are necessary for computing needs. Use Zip Ties (Hardware Kit Item 1) to strain relieve cables to the Strain Relief Points, routing all cables together through the Cable Channel and out the rear of the Docking Station.



Installation & Cable Management *(continued)*

- 4) Lower the Docking Station to the Mounting Bracket as shown and secure with (4) 1/4" -20 x 3/8" long screws (Hardware Kit Item 4). Ensure cable bundle remains in Cable Channel before securing. Torque screws to 80-in (9.0 Nm) ± 10%.



- 5) Attach the Laptop Screen Security (*Part # DS-DA-236*) to Docking Station using the supplied hardware and installation instructions.
- 6) Secure cable bundle to the Mounting Bracket with a supplied Zip Tie.
- 7) Create a service loop with cable bundle to ensure that no tension is on the connectors and to enable intended range of motion.
- 8) Tie off cables onto a stationary part of the mounting system.
(*Mounting system not included with Docking Station*)

5



6

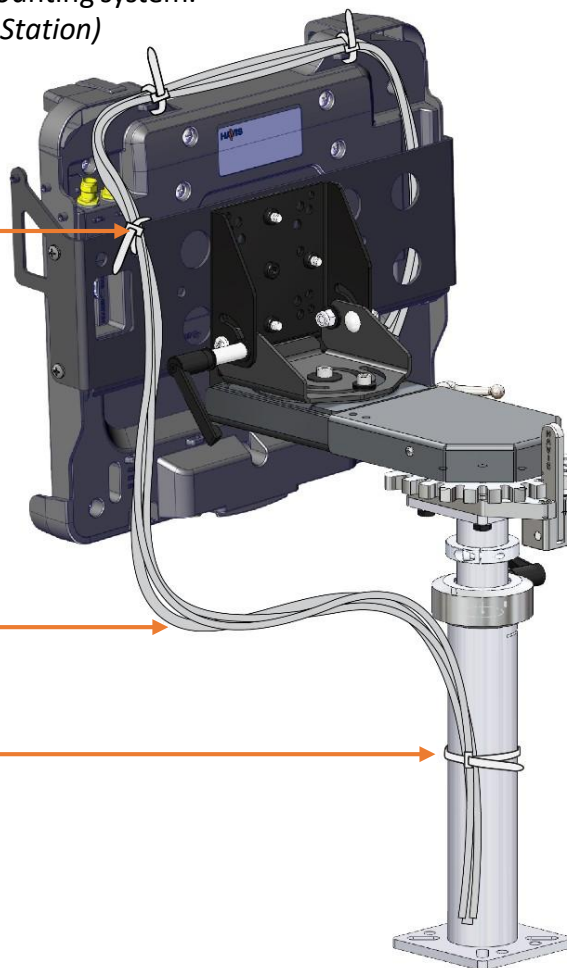
7

This loop must be large enough to allow full range of expected rotation and extension without stressing connections.

8

Collect cables to secure to the mounting system.

(*Note: mounting system not included*)



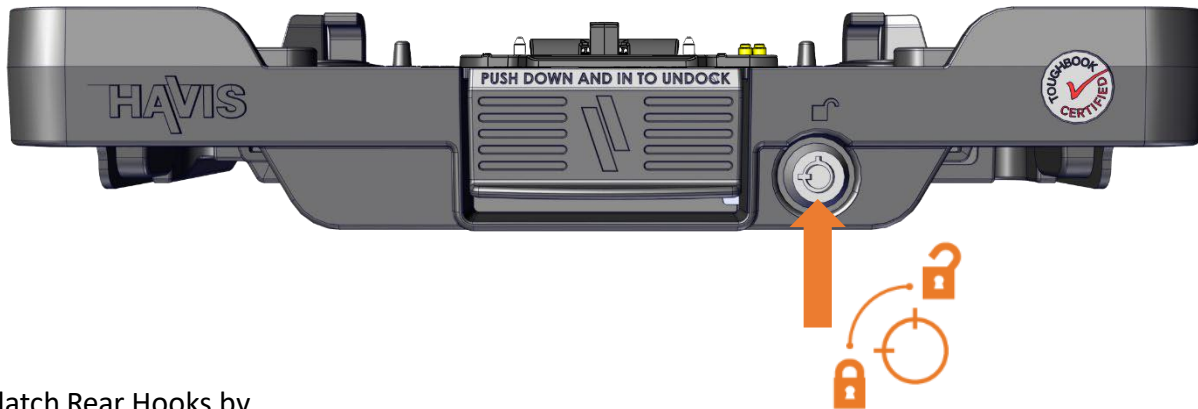
Operation - Docking

CAUTION

DO NOT FORCE LAPTOP ONTO DOCKING STATION. IF THERE IS RESISTANCE, CHECK ALIGNMENT OF LAPTOP ON DOCKING STATION.

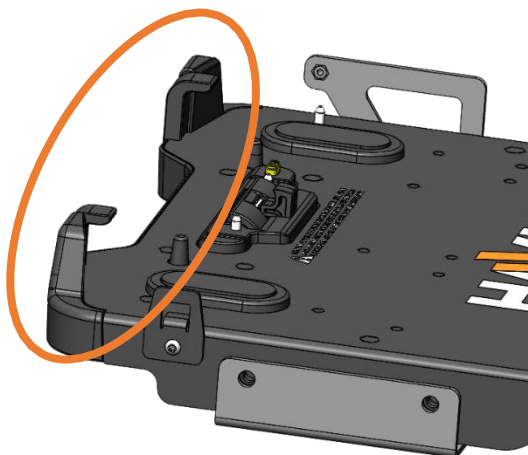
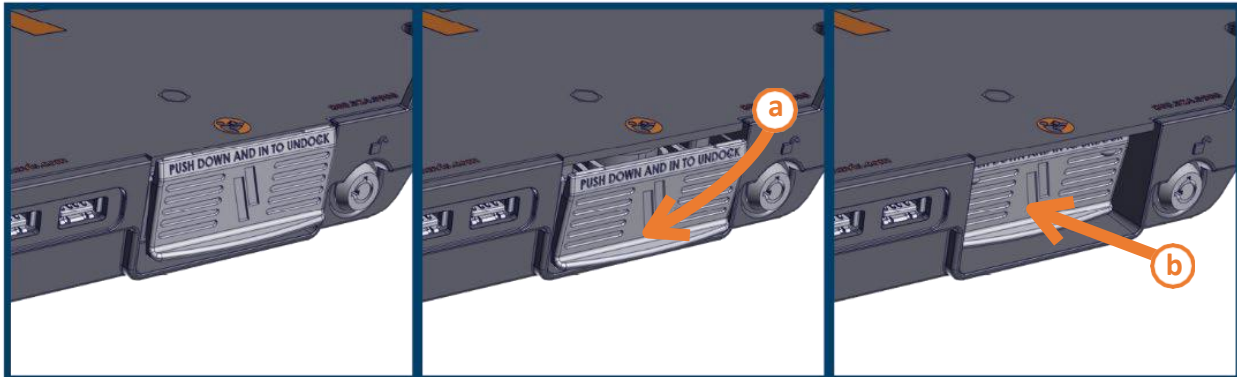
NE PAS FORCER POUR PLACER L'ORDINATEUR PORTABLE SUR LA STATION D'ACCUEIL. S'IL Y A DE LA RÉSISTANCE, VÉRIFIER L'ALIGNEMENT DE L'ORDINATEUR PORTABLE SUR LA STATION D'ACCUEIL

- 1) Ensure the Docking Station is unlocked.

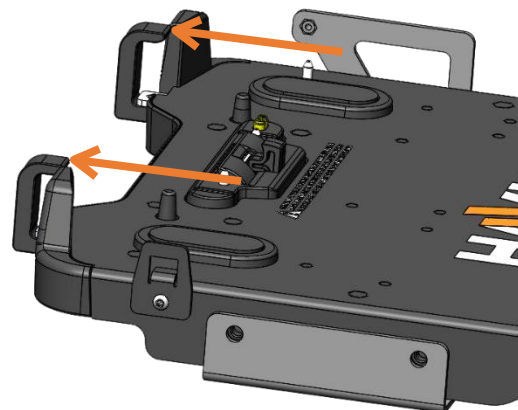


- 2) Unlatch Rear Hooks by...

- a) Pushing down on Release Handle.
- b) Pushing in until a click is heard.



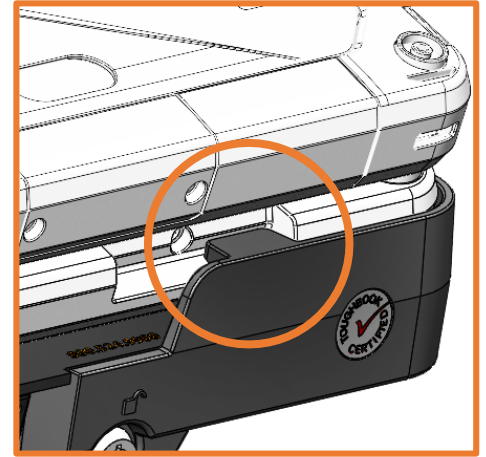
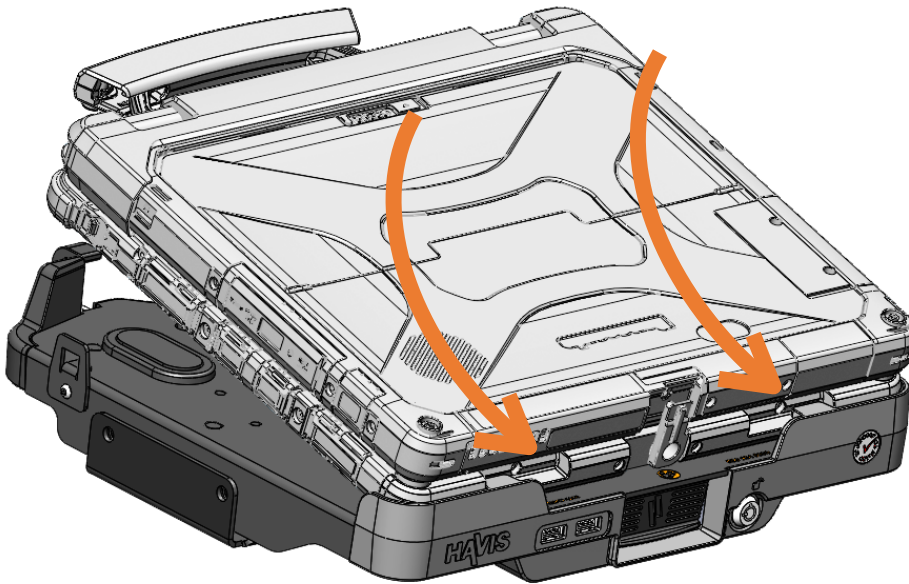
Latched Rear Hooks



Unlatched Rear Hooks
(Ready to dock Toughbook 33)

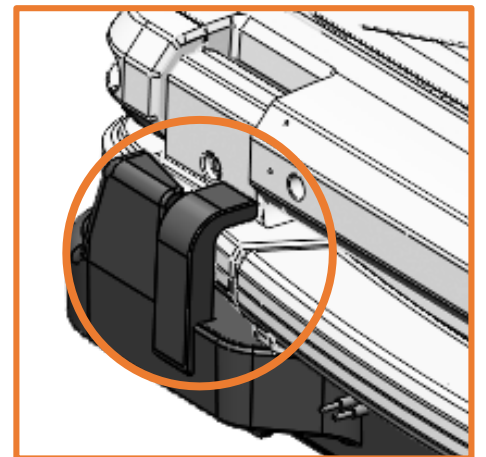
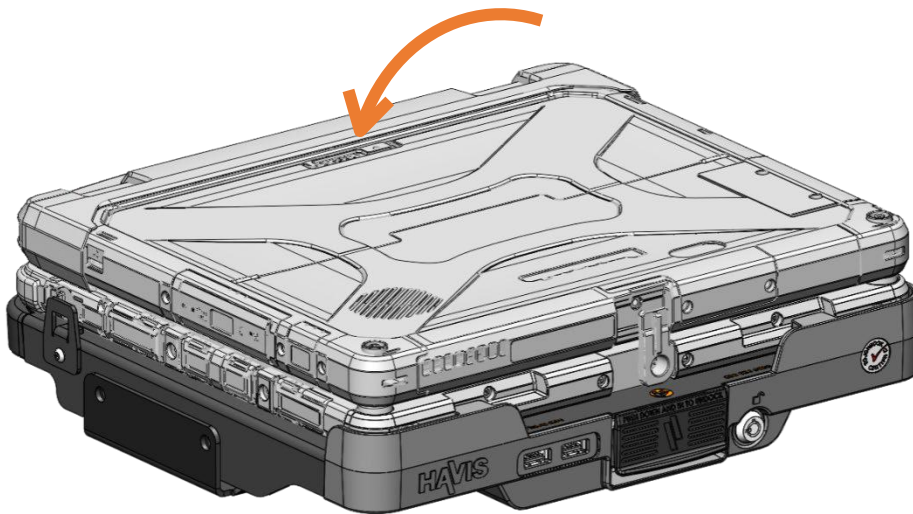
Operation - Docking (continued)

- 3) With rear of computer elevated, load front of computer into Docking Station ensuring the computer's front hook pockets align with the Front Hooks of the Docking Station as shown.



Front View

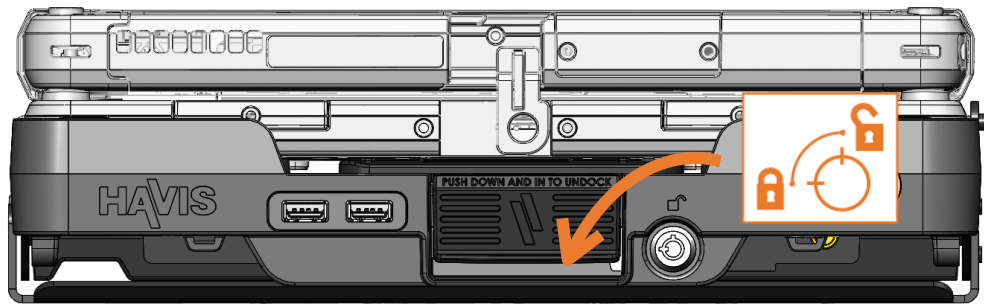
- 4) Lower rear of computer onto Docking Station, ensuring computer properly aligns with the Locator Pins on the Docking Station. Apply light downward pressure to the rear of computer, until Rear Hooks on Docking Station snap into place and secure the computer. Ensure Rear Hooks are fully engaged as shown in Reverse View below. If not, apply more downward pressure to ensure full engagement.



Reverse View

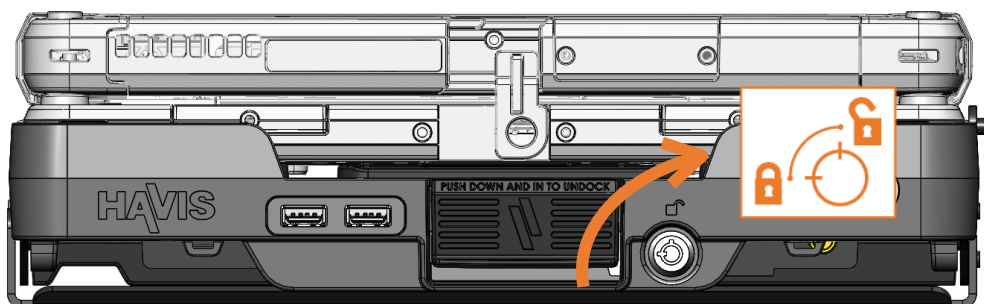
Operation - Docking (continued)

5) For theft deterrence, secure computer by locking Docking Station and Laptop Screen Security with supplied key (Hardware Kit item 2).



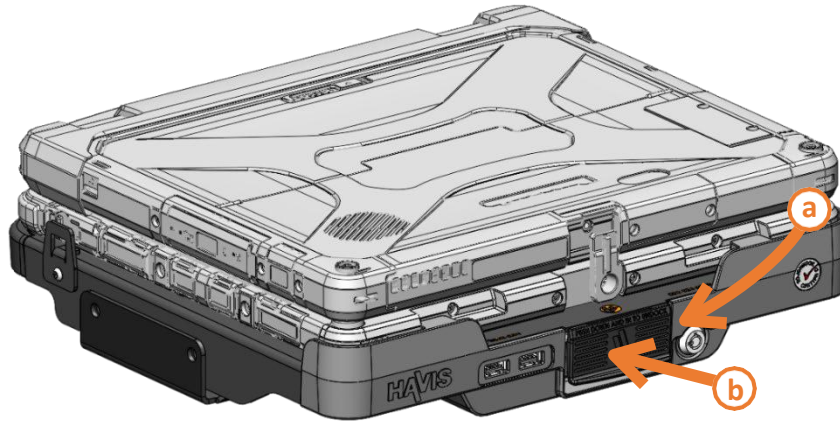
Operation - Undocking

1) If previously locked, unlock Docking Station using supplied key.

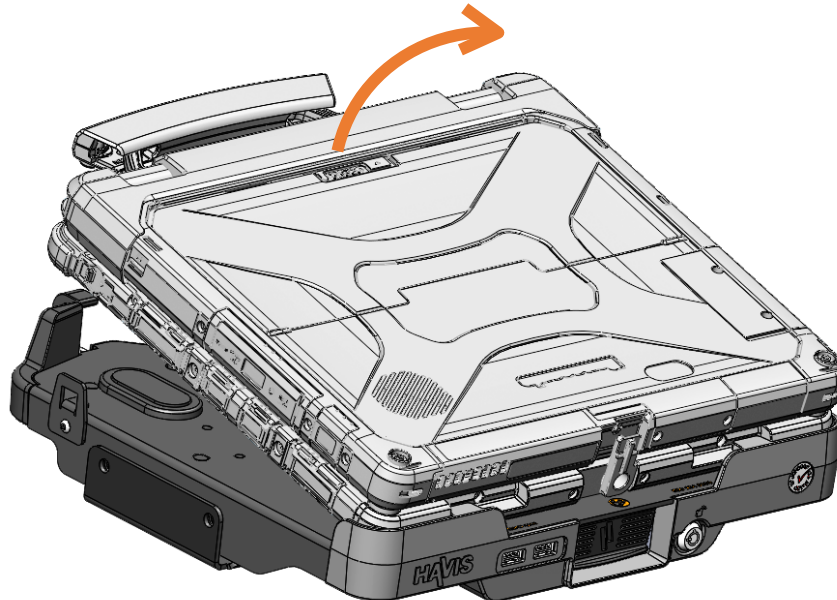


Operation - Undocking

- 2) Unlatch computer from Docking Station by, **a** pushing down on Release Handle, then **b** pushing in until Rear Hooks unlatch and a click can be heard. Rear Hooks will remain unlatched and CF-33 Laptop will elevate slightly from Docking Station.



- 3) Once unlatched grab laptop from carry handle or each side and carefully lift out of Docking Station, rear first.



CAUTION

ONCE DOCKED, THE DISPLAY OF THE TOUGHBOOK 33 CAN ONLY OPEN APPROXIMATELY 165° AT WHICH TIME IT WILL CONTACT THE DOCKING STATION'S REAR HOOKS. DO NOT EXTEND THE DISPLAY PAST THIS POINT OR DAMAGE TO THE LAPTOP MAY OCCUR.

UNE FOIS SUR LA STATION, L'ÉCRAN DU TOUGHBOOK 33 NE PEUT S'OUVRIRE QU'APPROXIMATIVEMENT DE 165°, ANGLE À, À PARTIR DUQUEL IL ENTRERA EN CONTACT AVEC LES CROCHETS ARRIÈRE DE LA STATION D'ACCUEIL. NE PAS INCLINER L'ÉCRAN AU-DELÀ DE CE POINT, AU RISQUE D'ENDOMMAGER L'ORDINATEUR PORTABLE.



Related Products

Havis offers a wide variety of accessory products specifically for use with your Docking Station. For more information or to order, please visit www.havis.com.



120N-B01-R03-1

120W Power Supply

External in-vehicle power supply and cable for Panasonic TOUGHBOOK 33 with cigarette lighter adaptor.



LPS-211

Power Supply Mounting Bracket

Mount a power supply or USB hub directly to your Docking Station with this versatile bracket.



DS-DA-306

Replacement Power Supply Output Cable

Replacement yellow tip output cable for the 120N-B01-R03-1 power supply for DS-PAN-1110 Series Docking Stations.



DS-DA-420

Laptop Screen Support

Secure your laptop screen to prevent excess wear and reduce vibration while in use.



DS-DA-503

Replacement Keys

Set of two (2) replacement keys for DS-PAN-1110 Series Docking Stations.

