

Owner's Manual Havis Docking Station For Getac G140



DS-GTC-1800 Series

This owner's manual applies to the following part numbers:

DS-GTC-1801
DS-GTC-1801-4
DS-GTC-1802-BW
DS-GTC-1802-4-BW

DS-GTC-1803
DS-GTC-1803-4
DS-GTC-1804
DS-GTC-1804-4

DS-GTC-1805-BW
DS-GTC-1805-4-BW



E102475_REV-A

Before Beginning

Havis is pleased to provide this owner's manual to aid in the proper installation and use of the DS-GTC-1800 Series Docking Station for the Getac G140.

For questions regarding the set-up of your DS-GTC-1800 Series Docking Station, please contact Havis at 1-800-524-9900 or visit www.havis.com for additional product support and information.

WARNING

- NEVER STOW OR MOUNT THE DOCKING STATION DIRECTLY IN A VEHICLE AIRBAG DEPLOYMENT ZONE.
- DO NOT USE COMPUTER WHILE DRIVING.
- DO NOT PLACE METAL OBJECTS OR CONTAINERS OF LIQUID ON TOP OF THE DOCKING STATION.
- IF A MALFUNCTION OCCURS, IMMEDIATELY UNPLUG THE POWER SUPPLY AND REMOVE THE TABLET.
- DO NOT ATTEMPT TO DOCK THE TABLET BACKWARDS IN THE DOCKING STATION.

CAUTION

- READ ALL INSTRUCTIONS THOROUGHLY BEFORE BEGINNING INSTALLATION.
- THIS PRODUCT IS NOT CLASSIFIED WITH AN IP (INGRESS PROTECTION) RATING. DO NOT STORE, INSTALL, OR OPERATE THE DOCKING STATION WHERE WATER, MOISTURE, STEAM, DUST, ETC. ARE PRESENT.
- FOR THE DS-GTC-1801, DS-GTC-1801-4, DS-GTC-1802-BW, DS-GTC-1802-4-BW, DS-GTC-1804, DS-GTC-1804-4, DS-GTC-1805-BW, & DS-GTC-1805-4-BW DOCKING STATIONS: DO NOT CONNECT DIRECTLY TO VEHICLE VOLTAGE SOURCE. THIS PRODUCT REQUIRES A CERTIFIED, AUTOMOTIVE GRADE, GETAC APPROVED 120W POWER SOURCE RATED FOR A CONTINUOUS, REGULATED 19 VDC OUTPUT (*HAVIS PART NUMBER LPS-140 OR EQUIVALENT*). FAILURE TO COMPLY WITH THIS REQUIREMENT WILL CAUSE PRODUCT DAMAGE THAT IS NOT REPAIRABLE AND IS NOT COVERED UNDER WARRANTY.
- FOR THE DS-GTC-1803 & DS-GTC-1803-4 DOCKING STATIONS (CRADLES): DO NOT CONNECT THE GETAC G140 TABLET DIRECTLY TO VEHICLE VOLTAGE SOURCE. THE GETAC G140 REQUIRES A CERTIFIED, GETAC APPROVED POWER SOURCE RATED FOR A CONTINUOUS, REGULATED 19 VDC OUTPUT. FAILURE TO COMPLY WITH THIS REQUIREMENT WILL CAUSE PRODUCT DAMAGE THAT IS NOT REPAIRABLE AND IS NOT COVERED UNDER WARRANTY.
- USE ONLY THE SPECIFIED POWER SUPPLY (PART # LPS-140 OR EQUIVALENT) WITH THIS DOCKING STATION.
- DO NOT CONNECT CABLES INTO PORTS OTHER THAN WHAT THEY ARE SPECIFIED FOR.
- DO NOT LEAVE THE DOCKING STATION IN A HIGH TEMPERATURE ENVIRONMENT (GREATER THAN 71°C, 160°F).

NOTICE

- FOR DOCKING STATION MODELS EQUIPPED WITH A BUNDLED POWER SUPPLY (DS-GTC-1802-BW, DS-GTC-1802-4-BW, DS-GTC-1805-BW, & DS-GTC-1805-4-BW) REFER TO THE SUPPLIED POWER SUPPLY REFERENCE GUIDE.

Avant de commencer

Havis est heureux de fournir ce manuel du propriétaire pour aider à l'installation et à l'utilisation correctes de la station d'accueil série DS-GTC-1800 pour le Getac G140.

Pour toute question concernant la configuration de votre station d'accueil série DS-GTC-1800, veuillez contacter Havis au 1-800-524-9900 ou visitez www.havis.com pour obtenir une assistance et des informations supplémentaires sur le produit.

AVERTISSEMENT

- NE JAMAIS RANGER NI MONTER LA STATION D'ACCUEIL DIRECTEMENT DANS UNE ZONE DE DÉPLOIEMENT D'AIRBAG DE VÉHICULE.
- N'UTILISEZ PAS D'ORDINATEUR EN CONDUISANT.
- NE PLACEZ PAS D'OBJETS MÉTALLIQUES OU DE RÉCIPIENTS CONTENANT DU LIQUIDE SUR LA STATION D'ACCUEIL..
- EN CAS DE DYSFONCTIONNEMENT, DÉBRANCHEZ IMMÉDIATEMENT L'ALIMENTATION ET RETIREZ LA TABLETTE.
- NE TENTEZ PAS D'INSÉRER LA TABLETTE À L'ENVERS DANS LA STATION D'ACCUEIL.

ATTENTION

- LISEZ ATTENTIVEMENT TOUTES LES INSTRUCTIONS AVANT DE COMMENCER L'INSTALLATION.
- CE PRODUIT N'EST PAS CLASSÉ IP (INGRESS PROTECTION). NE PAS STOCKER, INSTALLER OU UTILISER LA STATION D'ACCUEIL EN TERRAIN DE PRÉSENCE D'EAU, D'HUMIDITÉ, DE VAPEUR, DE POUSSIÈRE, ETC.
- POUR LES STATIONS D'ACCUEIL DS-GTC-1801, DS-GTC-1801-4, DS-GTC-1802-BW, DS-GTC-1802-4-BW, DS-GTC-1804, DS-GTC-1804-4, DS-GTC-1805-BW ET DS-GTC-1805-4-BW : NE PAS CONNECTER DIRECTEMENT À LA SOURCE DE TENSION DU VÉHICULE : CE PRODUIT NÉCESSITE UNE SOURCE D'ALIMENTATION DE 120 W CERTIFIÉE, DE QUALITÉ AUTOMOBILE ET HOMOLOGUÉE GETAC, CONÇUE POUR UNE SORTIE CONTINUE ET RÉGULÉE DE 19 V CC (RÉFÉRENCE HAVIS LPS-140 OU ÉQUIVALENTE). LE NON-RESPECT DE CETTE EXIGENCE ENTRAÎNERA DES DOMMAGES AU PRODUIT QUI NE SERONT PAS RÉPARABLES ET NE SERONT PAS COUVERTS PAR LA GARANTIE.
- POUR LES STATIONS D'ACCUEIL DS-GTC-1803 ET DS-GTC-1803-4 : NE PAS BRANCHER LA TABLETTE GETAC G140 DIRECTEMENT À L'ALIMENTATION DU VÉHICULE. LA GETAC G140 NÉCESSITE UNE ALIMENTATION CERTIFIÉE ET APPROUVÉE PAR GETAC, CAPABLE DE FOURNIR UNE TENSION CONTINUE ET RÉGULÉE DE 19 V CC. LE NON-RESPECT DE CETTE EXIGENCE ENTRAÎNERA DES DOMMAGES IRRÉPARABLES ET NON COUVERTS PAR LA GARANTIE. UTILISEZ UNIQUEMENT LE BLOC D'ALIMENTATION SPÉCIFIÉ (RÉFÉRENCE LPS-140) AVEC CETTE STATION D'ACCUEIL.
- UTILISEZ UNIQUEMENT LE BLOC D'ALIMENTATION SPÉCIFIÉ (RÉFÉRENCE LPS-140 OU ÉQUIVALENT) AVEC CETTE STATION D'ACCUEIL.
- NE LAISSEZ PAS LA STATION D'ACCUEIL DANS UN ENVIRONNEMENT À HAUTE TEMPÉRATURE (SUPÉRIEURE À 71 °C, 160 °F).

AVIS

- POUR LES MODÈLES DE STATION D'ACCUEIL ÉQUIPÉS D'UNE ALIMENTATION GROUPEE (DS-GTC-1802-BW, DS-GTC-1802-4-BW, DS-GTC-1805-BW ET DS-GTC-1805-4-BW), CONSULTEZ LE GUIDE DE RÉFÉRENCE DE L'ALIMENTATION FOURNIE.

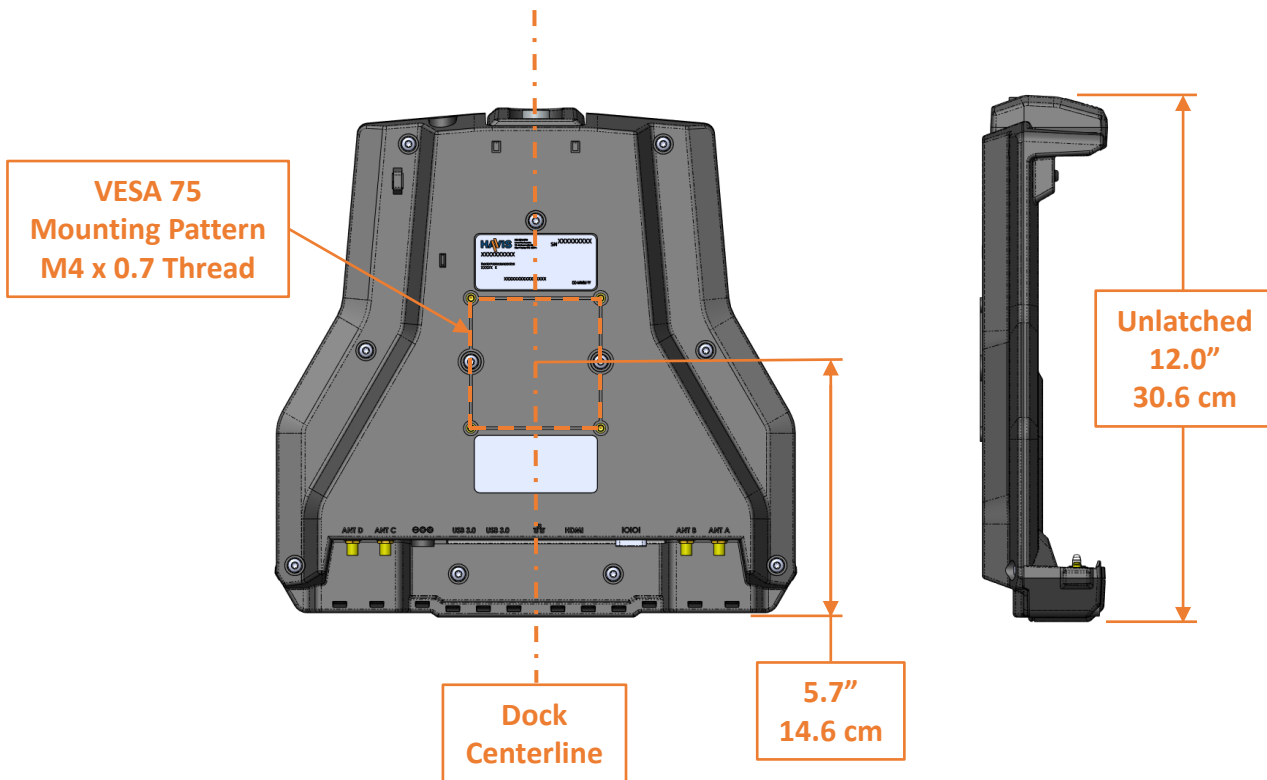
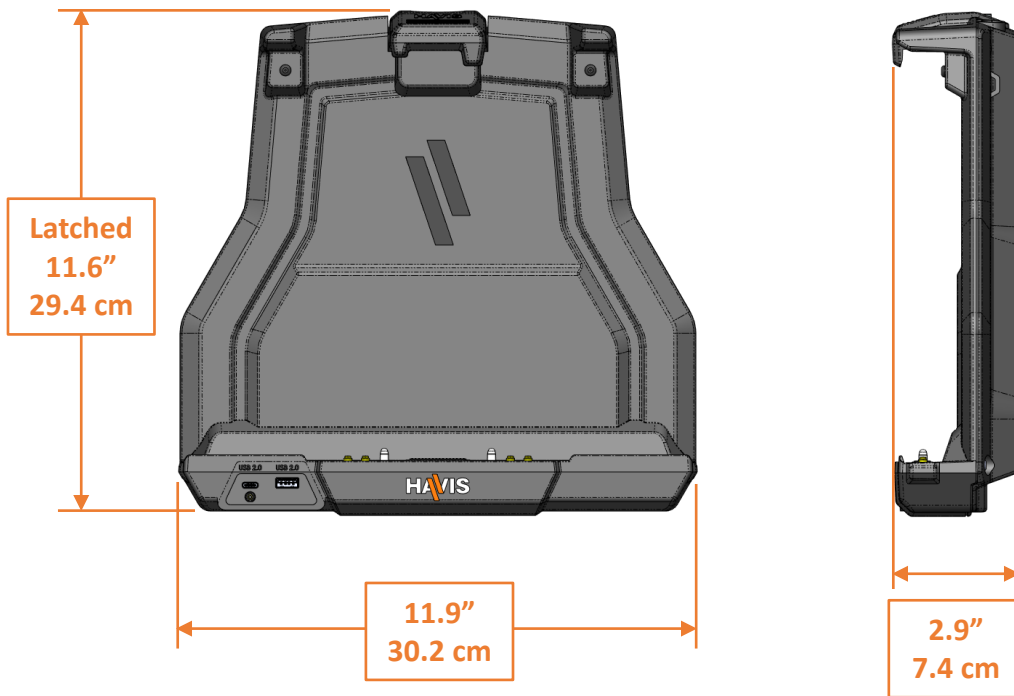
Specifications

Configuration (SKU)	Description	Dock Input Voltage Requirement	Weight
DS-GTC-1801	Standard port replication	19 VDC	3 lbs (1.4 kg)
DS-GTC-1801-4	Standard port replication with pass-thru antenna	19 VDC	3 lbs (1.4 kg)
DS-GTC-1802-BW	Standard port replication with power supply	19 VDC	3 lbs (1.4 kg)
DS-GTC-1802-4-BW	Standard port replication with pass-thru antenna and power supply	19 VDC	3 lbs (1.4 kg)
DS-GTC-1803	Cradle	N/A	2.7 lbs (1.2 kg)
DS-GTC-1803-4	Cradle with pass-thru antenna	N/A	2.7 lbs (1.2 kg)
DS-GTC-1804	Advanced port replication	19 VDC	3 lbs (1.4 kg)
DS-GTC-1804-4	Advanced port replication with pass-thru antenna	19 VDC	3 lbs (1.4 kg)
DS-GTC-1805-BW	Advanced port replication with power supply	19 VDC	3 lbs (1.4 kg)
DS-GTC-1805-4-BW	Advanced port replication with pass-thru antenna and power supply	19 VDC	3 lbs (1.4 kg)

Dimensions	11.6" (29.4 cm) H x 11.9" (30.2 cm) W x 2.9" (7.4 cm) D
Operating Environment*	-29° C to 63° C (-20.2° F to 145.4° F)
Storage Environment	-51.1° C to 71° C (-60° F to 159.8° F)

* Charging will not start if the battery's temperature is outside its allowed range, which is between 0 °C (32 °F) and 50 °C (122 °F). Once the battery's temperature meets the requirements, charging automatically resumes.

Dimensions



Parts Included

Docking Station

Barrel Lock

Stylus Holder

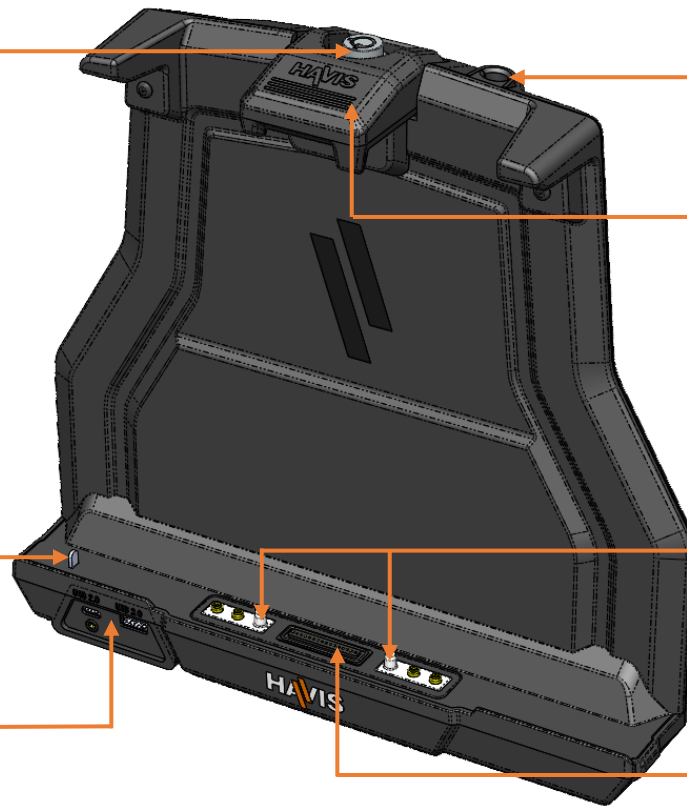
Latch

Reverse Docking Prevention Feature

Locating Posts

Front I/O Ports

Docking Connector

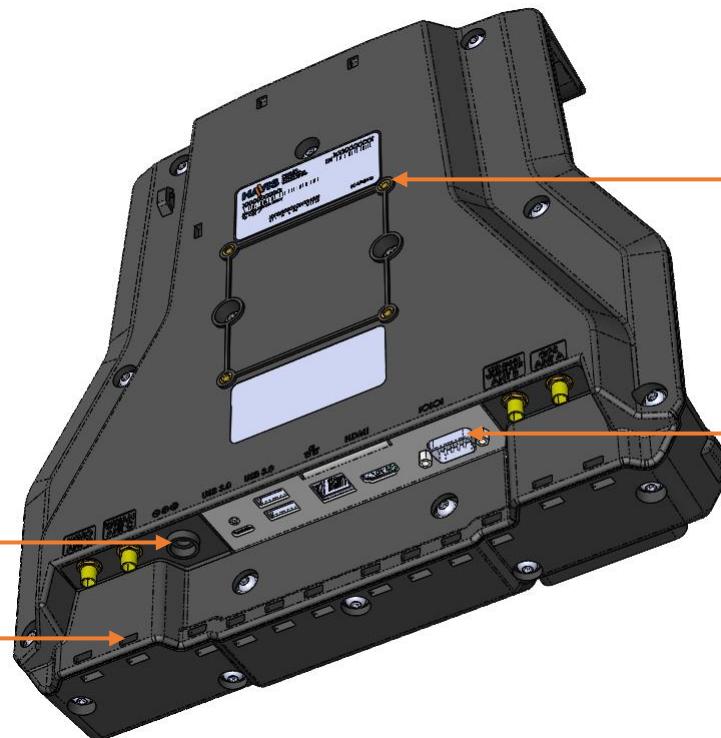


VESA 75 Mounting Holes

I/O Ports

Power Port

Cable Strain Relief



Parts Included (continued)

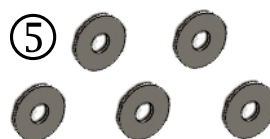
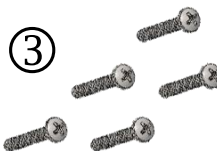
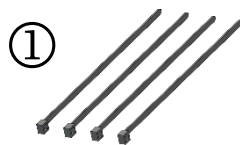
Hardware Kit (No. 30-013743)

This hardware kit includes:

1. Zip ties (4)
2. Keys (2)
3. M4 x 0.7 x 12mm screws (5)
4. M4 split lock washers (5)
5. M4 washers (5)

Tools required for installation:

- #2 Phillips (for M4 screws)



Antenna Identification

DS-GTC-1801-4, DS-GTC-1802-4-BW, DS-GTC-1803-4, DS-GTC-1804-4, DS-GTC-1805-4-BW

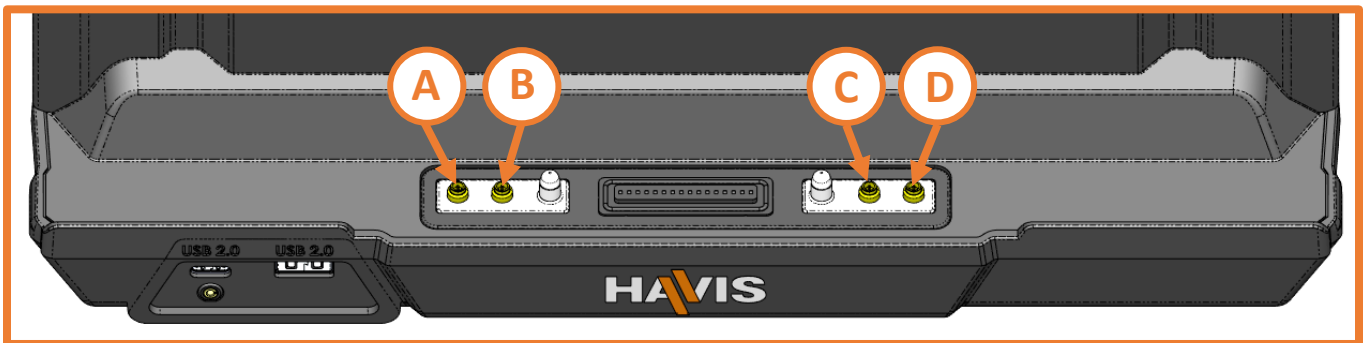
The DS-GTC-1800 utilizes four pass-thru antennae. Connector type is SMA. The designations for the connectors are provided below.

- A – GPS
- B – WIFI Main / WWAN Aux
- C – WWAN
- D – MIMO

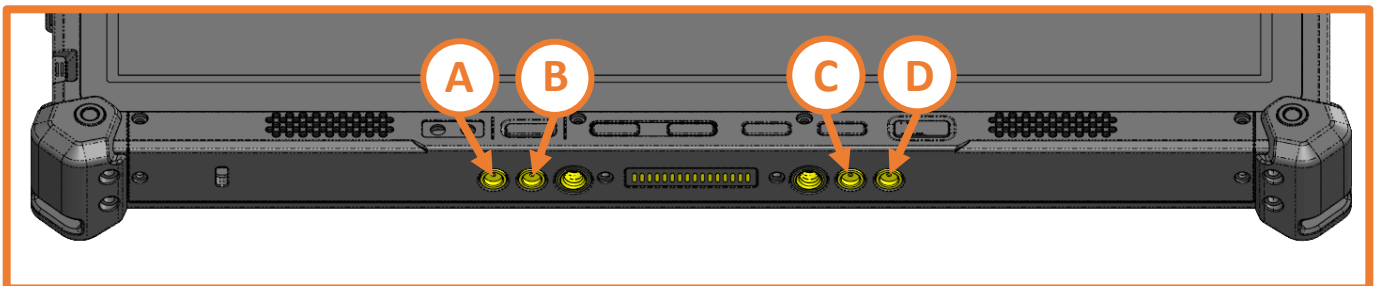
Downward Facing Antenna Connectors



Docking Connectors



Getac G140 Tablet Interface

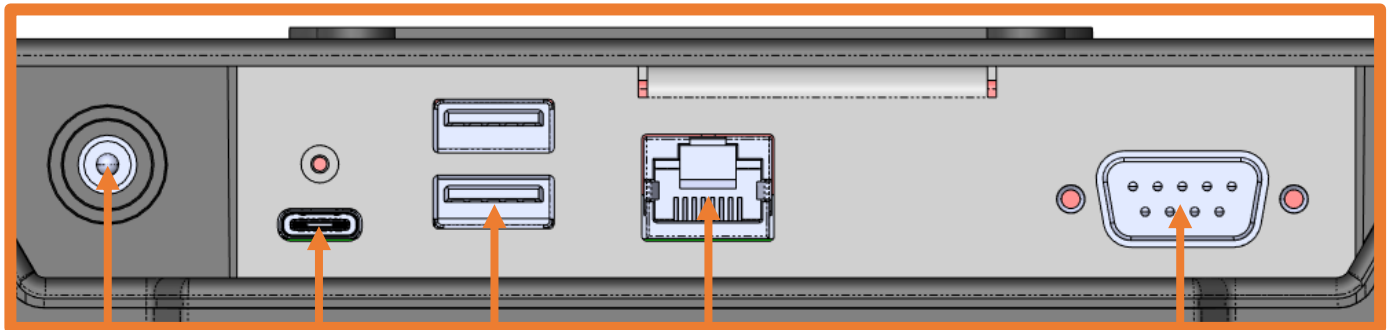


Port Replication Capability

Downward Facing Ports

Standard Port Replication

DS-GTC-1801, 1801-4, 1802-BW, 1802-4-BW



Power Input
19 VDC



USB 3.2
Gen 1
Type C
with screw lock

2x
USB 3.2
Gen 1
Type A

Ethernet
RJ45



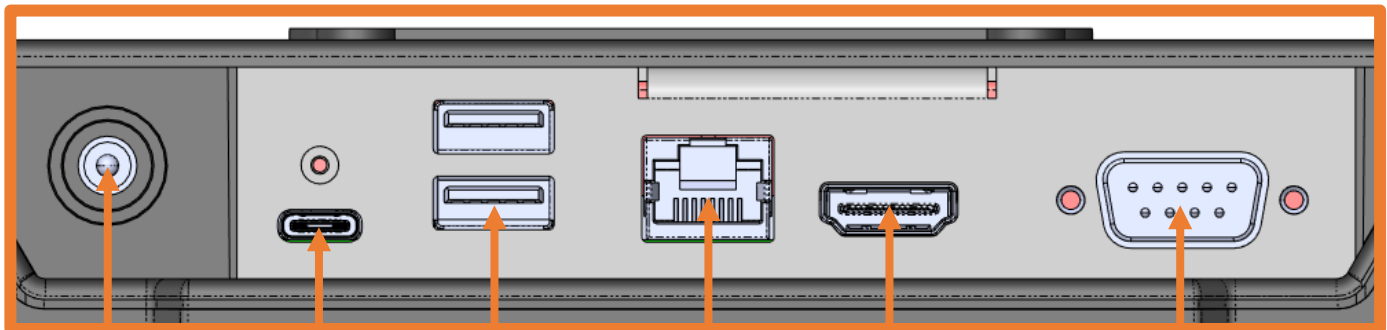
Powered Serial
RS-232 (DB-9) 5V



Downward Facing Ports

Advanced Port Replication

DS-GTC-1804, 1804-4, 1805-BW, 1805-4-BW



Power Input
19 VDC



USB 3.2
Gen 1
Type C
with screw lock

2x
USB 3.2
Gen 1
Type A

Ethernet
RJ45



HDMI

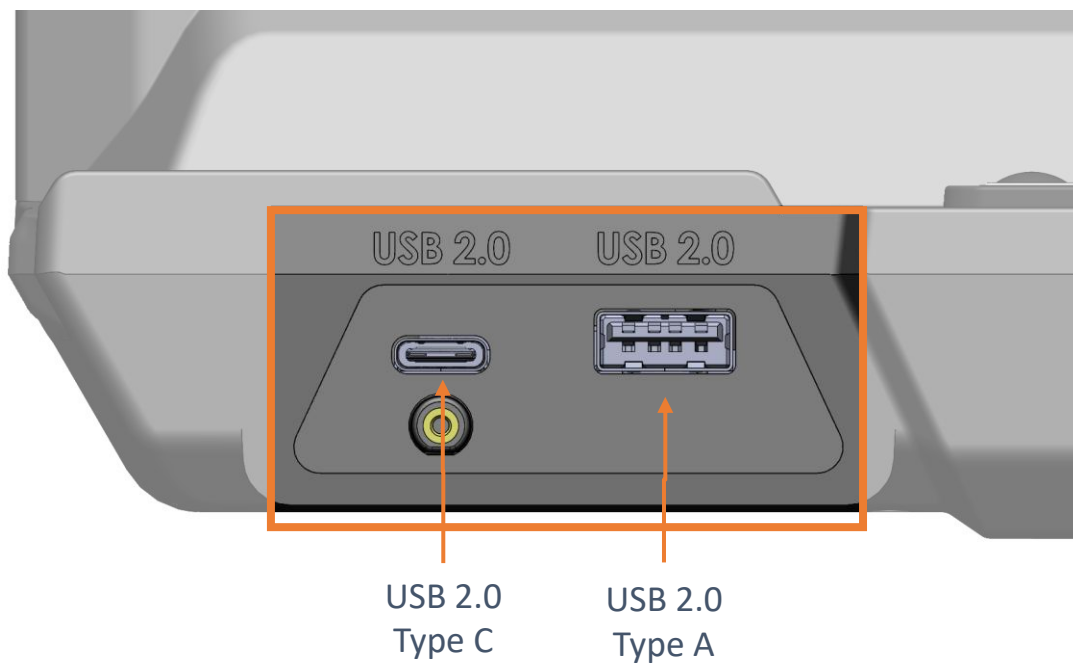
Powered Serial
RS-232 (DB-9) 5V



Port Replication Capability

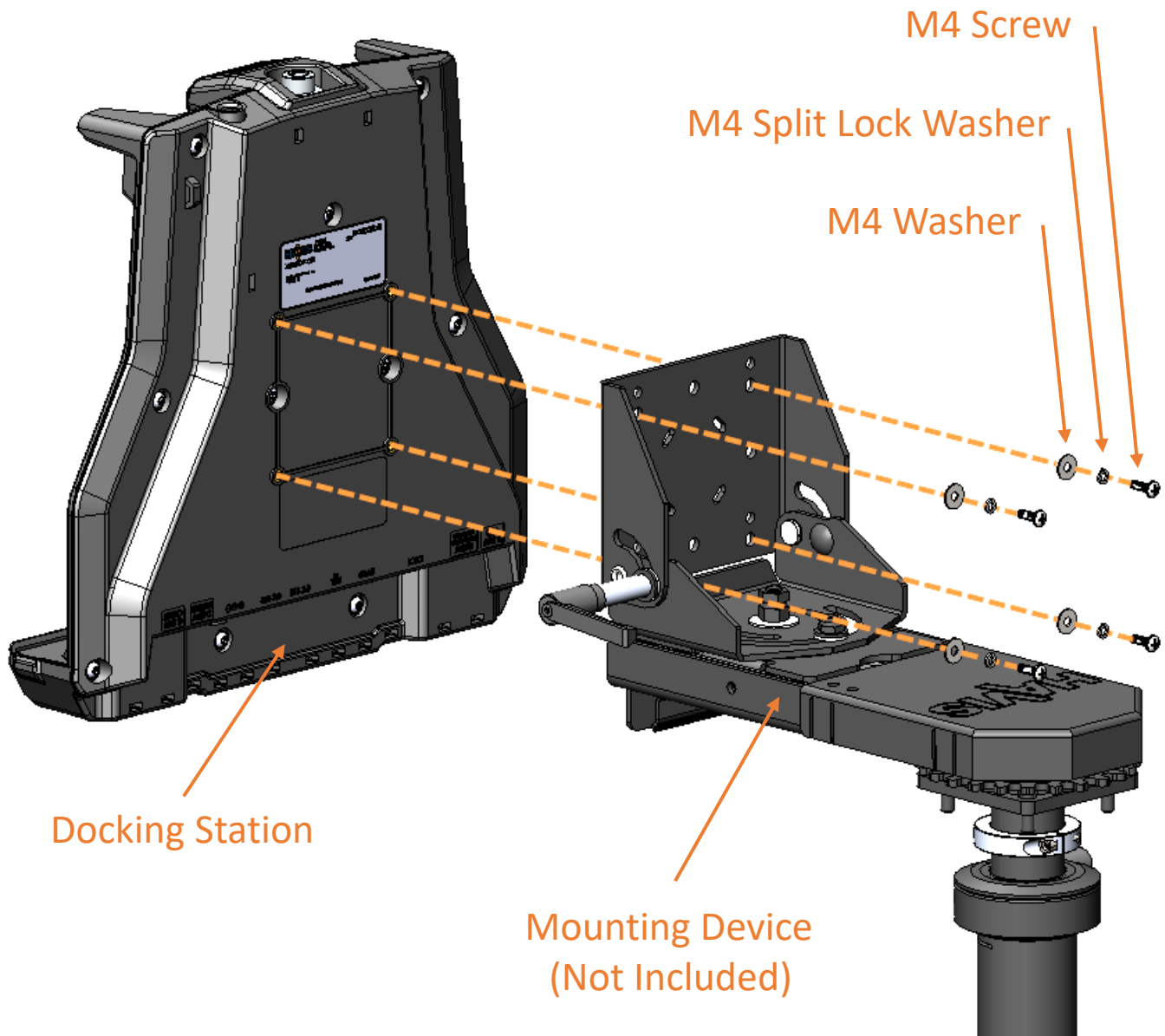
Forward Facing Ports

DS-GTC-1801, 1801-4, 1802-BW, 1802-4-BW, 1804, 1804-2, 1805-BW, 1805-BW-2



Installation

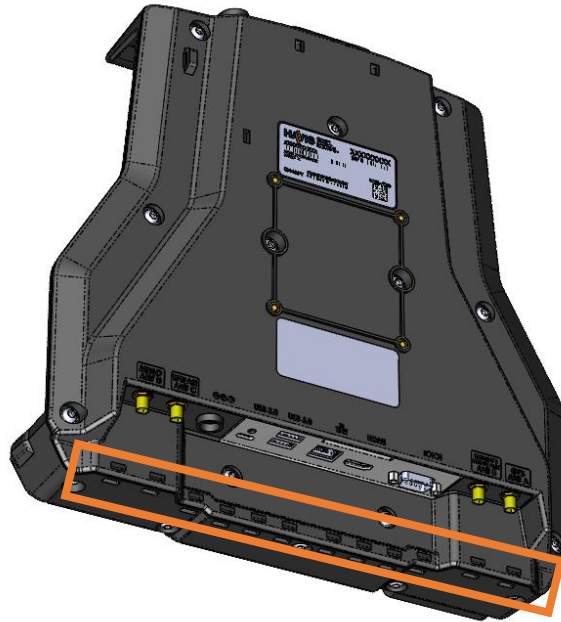
- 1) Align the docking station mounting holes with the hole pattern on the mounting device. Using the M4 x 0.7 x 12 mm screws (4), M4 washers (4), and M4 split lock washers (4), secure the docking station to the mounting device. Torque screws to 20 in-lbs (2.3Nm) ± 10%



Cable Management

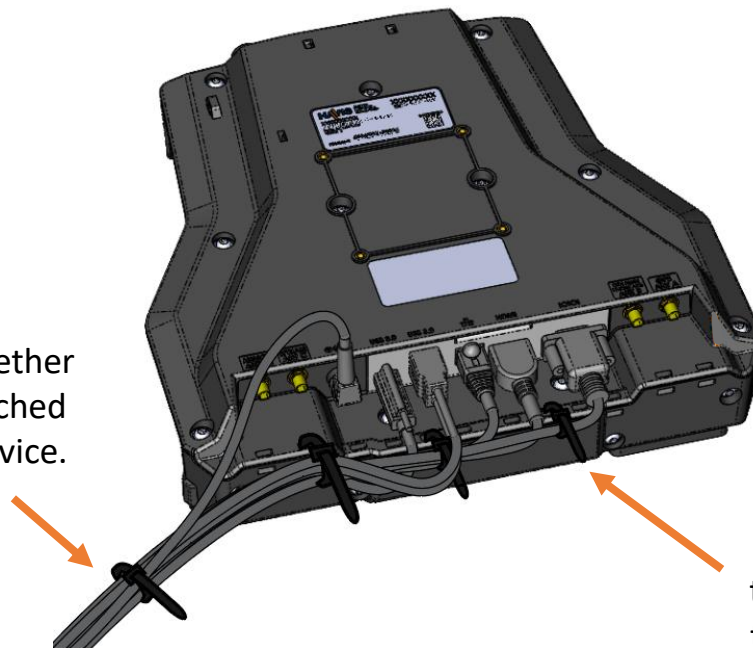
1) Connect desired cables to docking station. Use zip ties provided in hardware kit to fasten cables to strain relief points of the docking station.

A. Location of strain relief points.



B. Docking station with cables zip-tied to strain relief points.

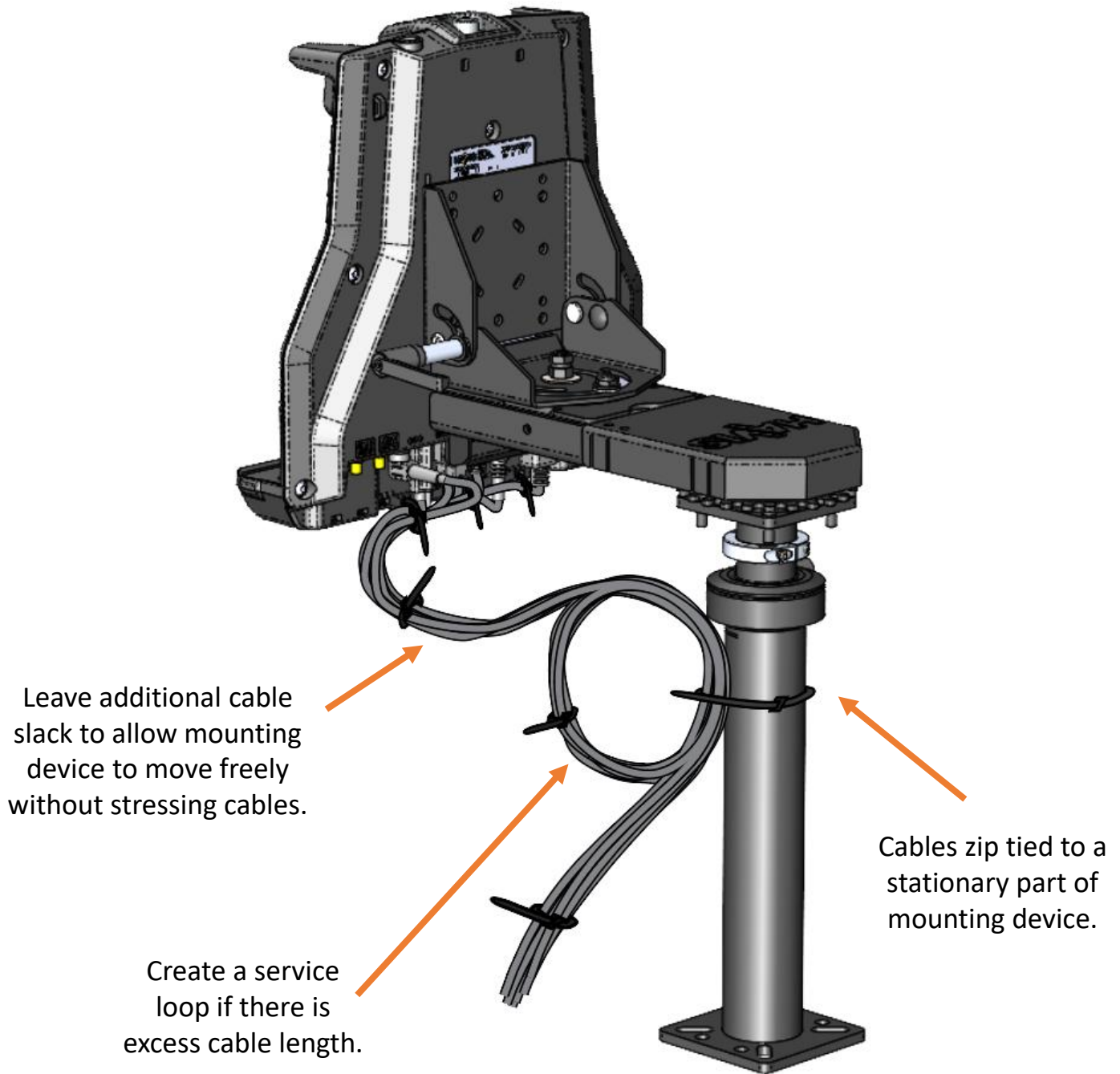
Route all cables together so they can be attached to the mounting device.



Use as many zip ties as necessary to secure cables.

Cable Management *(continued)*

2) Zip tie cables onto a stationary part of the mounting device.



Operation - Docking

⚠ WARNING



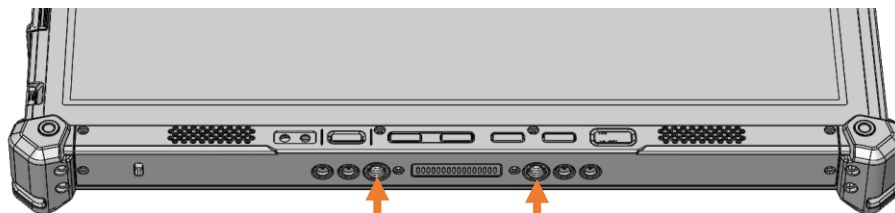
**DO NOT ATTEMPT TO DOCK THE TABLET BACKWARDS
IN THE DOCKING STATION.**

⚠ CAUTION

**DO NOT FORCE THE TABLET ONTO THE DOCKING STATION. IF THERE IS RESISTANCE,
CHECK THE ALIGNMENT OF POSTS ON THE DOCKING STATION.**



Alignment Posts on the DS-GTC-1800
Series Docking Station



Alignment Sockets on the
Getac G140 Tablet

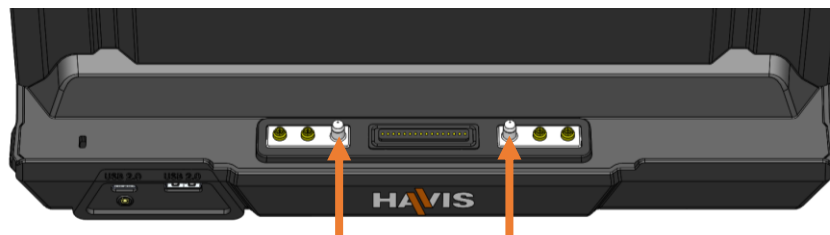
AVERTISSEMENT



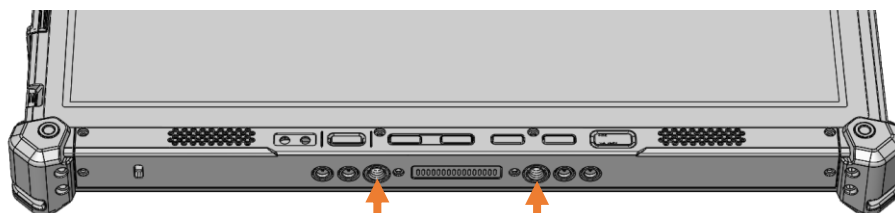
**NE TENTEZ PAS D'INSÉRER LA TABLETTE À L'ENVERS
DANS LA STATION D'ACCUEIL.**

ATTENTION

**NE FORCEZ PAS LA TABLETTE SUR LA STATION D'ACCUEIL. EN CAS DE RÉSISTANCE,
VÉRIFIEZ L'ALIGNEMENT DES ERGOTS SUR LA STATION D'ACCUEIL.**



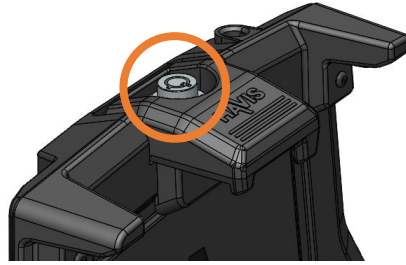
Piliers d'alignement sur la station
d'accueil de la série DS-GTC-1800



Plots d'alignement sur la
tablette Getac G140

Operation - Docking

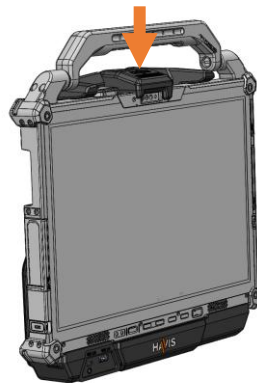
- 1) Press the lock button on top of the docking station to ensure it is unlatched.



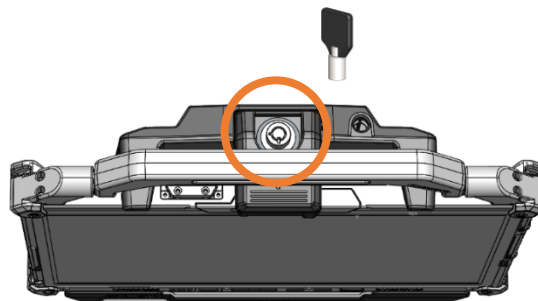
- 2) Hold the tablet in landscape orientation and tilted slightly forward. Lower the bottom onto the docking station so that the Alignment Posts on the docking station align with the Alignment Sockets on the tablet. Then pivot the top until tablet is fully seated.



- 3) Secure the tablet by pushing downwards on the latch until a click is heard.

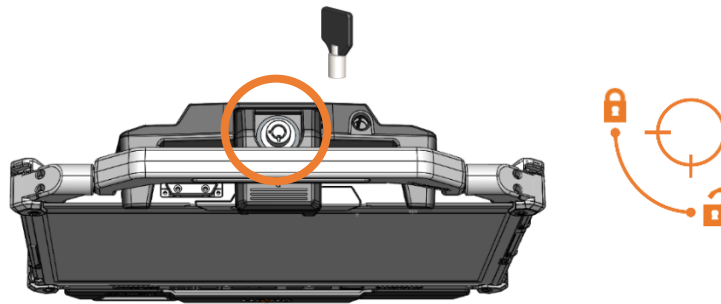


- 4) For theft deterrence, lock the docking station using the supplied key.



Operation - Undocking

- 1) If previously locked, unlock the docking station using the supplied key.



- 2) While securely holding the tablet, push the lock button on the top of the docking station to release the latch.



- 3) Remove the tablet by tilting it forward and lifting it out of the docking station.

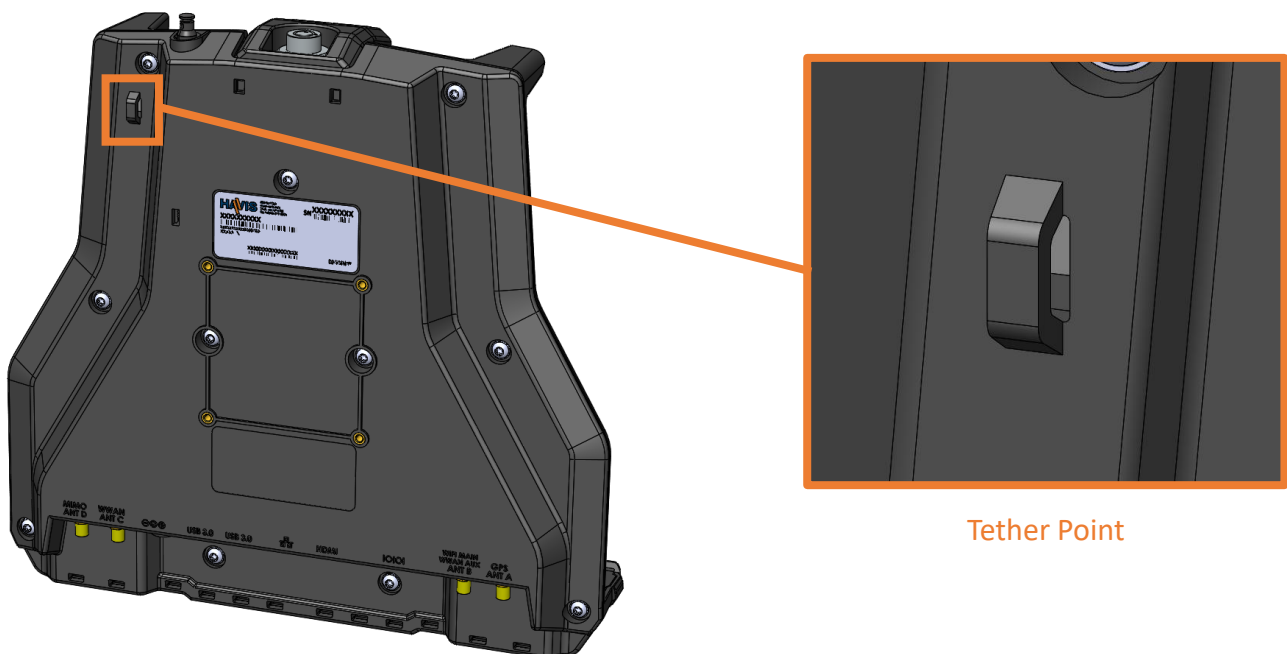


Operation - Stylus Holder

- 1) This docking station features a stylus holder for both the Getac G140 Capacitive Stylus and Digitizer Pen. Simply insert the stylus/pen into the opening shown below.



- 2) The stylus/pen can be tethered to the docking station by tying the cord to the feature shown below.



Regulatory Information

Canada

CAN ICES (A) / NMB (A)

Class A equipment

This Class A digital apparatus meets all requirements of the Canadian Interference-Causing Equipment Regulations.

Warning: Operation of this equipment in a residential environment could cause radio interference.

Équipement de Classe A

Cet appareil numérique de la Classe A respecte toutes les exigences du Règlement sur le matériel brouilleur du Canada.

Avertissement: L'utilisation de cet équipement dans un environnement résidentiel peut provoquer des interférences radio.

United States of America

FCC Compliance

This device complies with part 15 of the FCC Rules. Operation is subject to the following two conditions: (1) This device may not cause harmful interference, and (2) this device must accept any interference received, including interference that may cause undesired operation.

Note: This equipment has been tested and found to comply with the limits for a Class A digital device, pursuant to part 15 of the FCC Rules. These limits are designed to provide reasonable protection against harmful interference when the equipment is operated in a commercial environment. This equipment generates, uses, and can radiate radio frequency energy and, if not installed and used in accordance with the instruction manual, may cause harmful interference to radio communications. Operation of this equipment in a residential area is likely to cause harmful interference in which case the user will be required to correct the interference at his own expense.

Caution: Changes or modifications not expressly approved by the party responsible for compliance could void the user's authority to operate the equipment.

Responsible party (contact for FCC matters only):

Havis, Inc.
75 Jacksonville Road
Warminster, PA 18974
havis.com/contact-us

Warning: Operation of this equipment in a residential environment could cause radio interference.

Regulatory Information *(continued)*

European Union

Waste Electrical and Electronic Equipment (WEEE)

Electrical and electronic equipment (EEE) contain materials, components and substances that can be hazardous and harmful to human health and the environment when WEEE is not disposed of properly.

Products marked with the "crossed-out wheeled bin" symbol are EEE. The crossed-out wheeled bin symbolizes that WEEE must not be disposed of together with unsorted household waste, but must be collected separately.

For this purpose, all municipalities have established collection schemes where WEEE can be handed in, free of charge, by citizens at recycling stations or other collection points or collected directly from households. Further information should be obtained from the municipality's technical administration.



This symbol on the product or on its packaging indicates that the product must not be disposed of with normal household waste. Instead, it is your responsibility to dispose of your waste equipment by arranging to return it to a designated collection point for the recycling of WEEE. By separating and recycling your waste equipment at the time of disposal, you will help to conserve natural resources and ensure that the equipment is recycled in a manner that protects human health and the environment. This product is EEE and shall not be placed in the municipal waste after end of its life. This device should be handled properly and handed over to appropriate collection places or to authorized companies.

Conformité Européene (CE) Mark



The CE marking on a Havis product indicates conformity to the provisions of applicable European Union (EU) directives. The EU Declaration of Conformity (DoC) is the manufacturer's declaration that the product complies with those directives.

EU Authorized Representative:

Alura Group B.V.
Kroonwiel 2
6003 BT Weert
Netherlands

Warning: Operation of this equipment in a residential environment could cause radio interference.

United Kingdom

United Kingdom Conformity Assessed (UKCA) Mark



The UKCA marking on a Havis product indicates conformity to the provisions of applicable European Union (EU) directives and United Kingdom (UK) legislations. The UK Declaration of Conformity (DoC) is the manufacturer's declaration that the product complies with those directives and legislations.

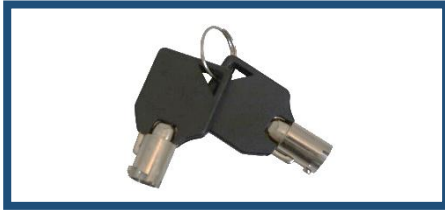
UK Authorized Representative:

Tailwind Solutions Limited
Unit 2a Castle Business Centre, Queensferry Road, Pitreavie Business Park
Dunfermline Fife, KY11 8NT
Scotland, United Kingdom

Warning: Operation of this equipment in a residential environment could cause radio interference.

Related Products

Havis offers a wide variety of accessory products specifically for use with your docking station. For more information or to order, please visit www.havis.com.



DS-DA-502

Replacement Keys

Set of (2) replacement keys for Havis Docking Stations.



LPS-140

Power Supply With Lighter Plug

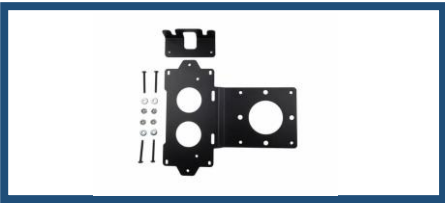
Compatible power supply for the DS-GTC-1800 Series Docking Stations.



LPS-140-BW

Power Supply With Bare Wire

Compatible power supply for the DS-GTC-1800 Series Docking Stations.



LPS-211

Multipurpose Bracket

Multipurpose bracket secures power supplies on Havis docking stations or cradles.



CG-X

Charge Guard-Select

Auto shut-off timer that will protect your vehicle's battery and peripherals.



DS-DA-604

Rugged USB Port Replication Hub

Two Type C and two Type A USB 3.1 ports and a gigabit RJ45 port.



DS-DA-218

Desktop Stand

Durable stand for mounting the docking station in the home or office.