

K9-C26-PT & K9-C27-PT INSTALLATION INSTRUCTIONS

K9/Prisoner Transport Kit for 2021-2026 CHEVY TAHOE and 2021-2024 CHEVY SUBURBAN

TOOLS REQUIRED:

Phillips Screw Driver	Trim panel removal tool	Wire Cutters /Crimpers	Caulk Gun
Standard Socket set	Metric Socket set	Drill & Drill bits	

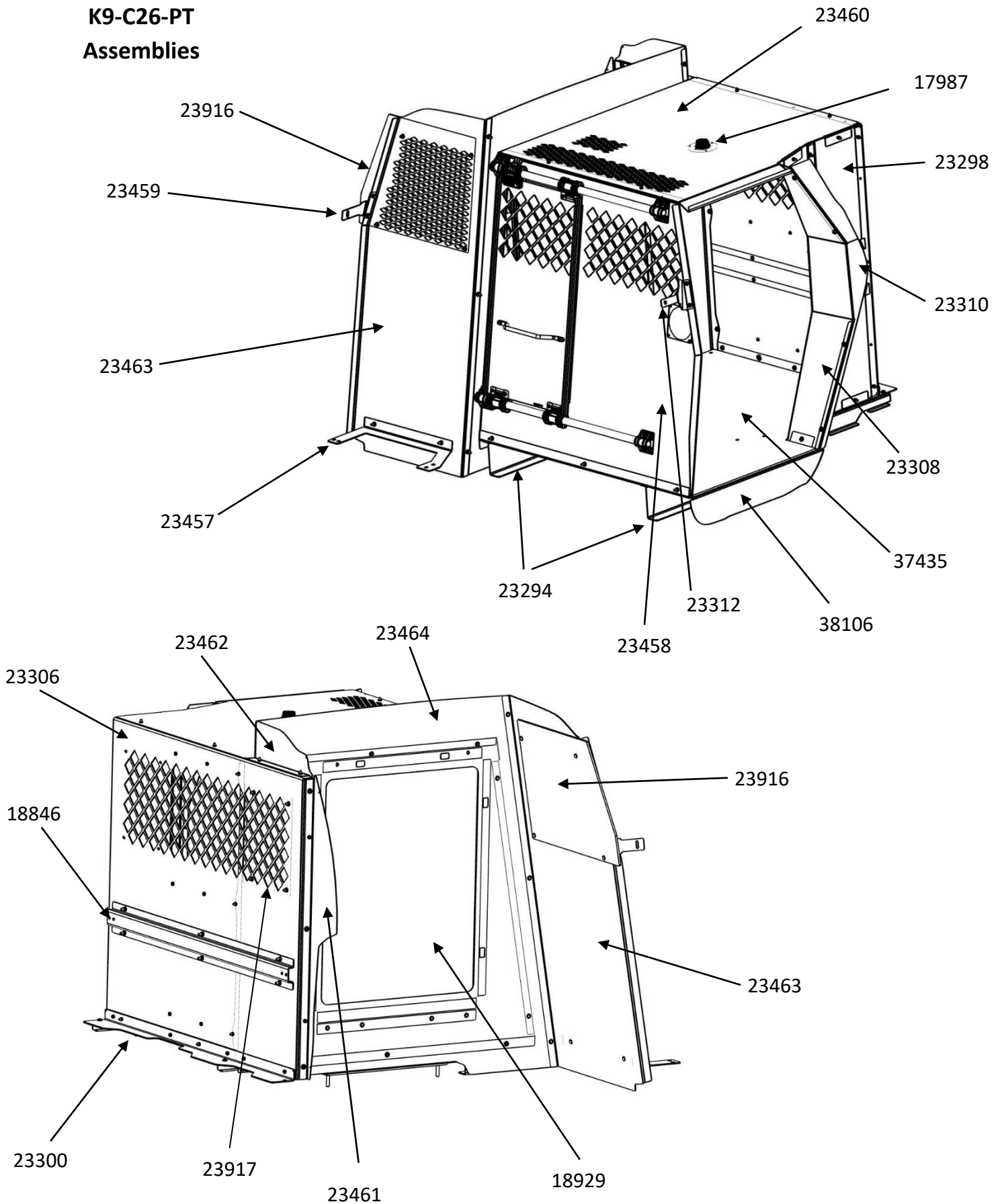
PARTS and MOUNTING HARDWARE:

<u>QTY</u>	<u>DESCRIPTION</u>	<u>ITEM# White</u>	<u>ITEM# Black</u>
2	Floor mounting bracket		23294 - Black
1	Driver side / K9 floor		37435 - Black
1	Driver side / K9 floor side trim - Tahoe		38106 - Black
1	Driver side / K9 floor side trim - Suburban		37428 - Black
1	Floor stiffener		23307 - Black
1	Cargo floor closeout		23300 - Black
1	Rear bulkhead	23306 – White	24094 - Black
1	Front bulkhead	23458 – White	24124 - Black
1	DS “B” pillar bracket		23312 - Black
1	PS “B” pillar bracket		23459 - Black
1	Ceiling	23460 – White	24132 – Black
1	DS Inner side trim panel	23308 – White	24095 – Black
1	DS Outer trim panel - Tahoe	23310 – White	24097 – Black
1	DS Outer side trim panel - Suburban	38112 – White	37426 – Black
1	Side trim extension panel	23298 – White	24110 – Black
1	DS Door panel - Tahoe	23315 – White	24100 – Black
1	PS Door panel - Tahoe	23316 – White	24101 – Black
1	DS Door panel - Suburban	38115 – White	37431 – Black
1	PS Door panel - Suburban	38116 – White	37432 – Black
1	Rear bulkhead hat bracket	18846 – White	18847 – Black
1	Rear, passenger side trim	23461 – White	24125 – Black
1	Rear, passenger upper trim	23462 – White	24126 – Black
1	Passenger front bulkhead	23463 – White	24127 – Black
1	Sliding emergency door	18929 – White	18930 – Black
1	Passenger bulkhead floor / seat mount		23457 – Black
1	DS Window guard - Tahoe		24142 – Black
1	PS Window guard - Tahoe		24143 – Black
1	DS Window guard - Suburban		37433 – Black
1	PS Window guard - Suburban		37434 – Black
1	Floor mat		24128 – Black
1	Silicone	20011 – White	20012 - Black
1	Passenger bulkhead Lexan window cover	23916	
1	Rear bulkhead, Lexan guard	23917	
1	Dome light kit (K9-A-106)	17987	

Hardware kit (C-HK-360)

<u>QTY</u>	<u>DESCRIPTION</u>	<u>ITEM#</u>
26	1/4" x 3/4" Carriage bolt	16235
3	1 1/16" Dome plug	15804
56	1/4" Flat washer	16154
56	1/4" Phillips screw	16618
32	1/4" Serrated nut	16086
4	M10 x 45mm Bolt	16518
34	#10 x 1/2" Screw	16655
10	#10 x 1/2" Flat head screw	16641
6	1/4" x 1/2" Carriage bolt	16233

**K9-C26-PT
Assemblies**



Note: Many images show a Tahoe interior, but installation process and most parts is the same.



Remove rear seats



Flip seat seats forward to access hardware.



Flip seat seats down and remove plastic trim covers to access front hardware.



Save removed hardware from seats.
To be reused later.



Remove plastic covers behind the paddle handle.
Remove screws. (7mm socket)

Note: A small 90° scribe helps to pick plastic covers off.



Remove plastic covers behind armrest handle.
Remove screws. (7mm socket)

Note: A small 90° scribe helps to pick plastic covers off.

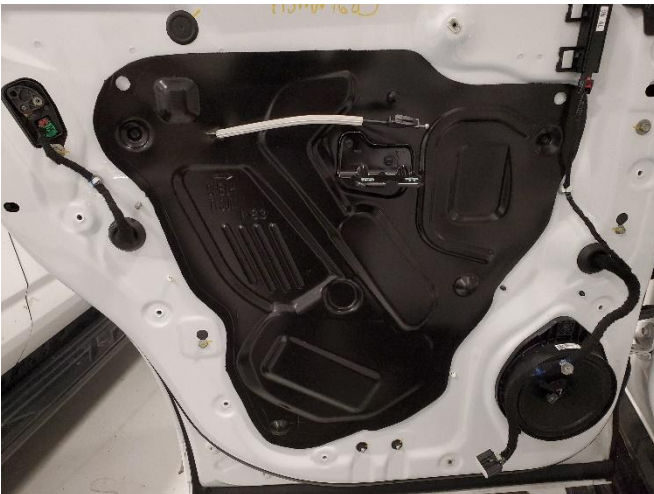


Remove screw at bottom of door panel.
(7mm socket)



Remove / unsnap entire door panel from door.
Remove armrest bracket. (7mm socket)

Note: Make sure to plug harnesses back into door switches and carefully tuck out of the way.



Disconnect door latch cable and lock pin. Remove speaker. (7mm socket)



Gently remove trim around window frame.



NOTE: Window guards are shipped flat. On the edge of a workbench, bend a contour in the middle of the guard so it will fit tight against the window frame.



Hook top of door panel into rubber window gasket.
Center door panel and drill 1/8" mount holes.
Attach with # 10 x 3/4" sheet metal screws.



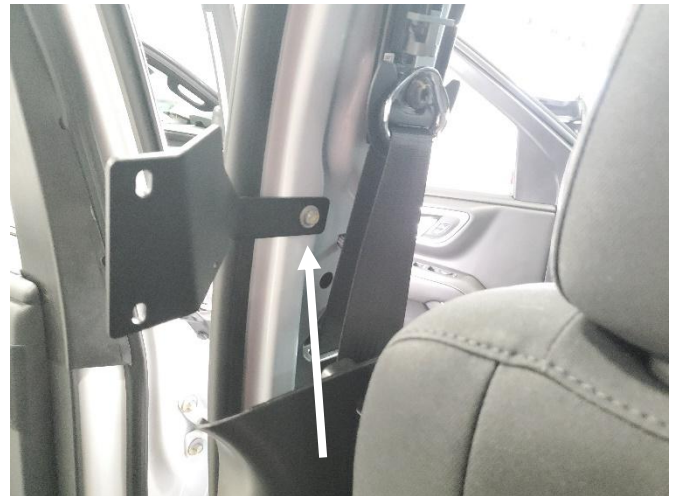
Align window guard hinge mounting holes to holes in the door panel. Attach hinge with # 10 x 1/2 Phillips pan head sheet metal screws.



Mount optional K9-A-104 Fan and Fan mount to window guard with 1/4" hardware and spacers as per the instructions provided in the K9-A-104 kit.



Remove passenger side grab handle and upper trim panel from B pillar. Attach upper mounting bracket using OEM hardware and reinstall panel.



Remove driver side grab handle and upper trim panel from B pillar. Attach upper mounting bracket using OEM hardware and reinstall panel.



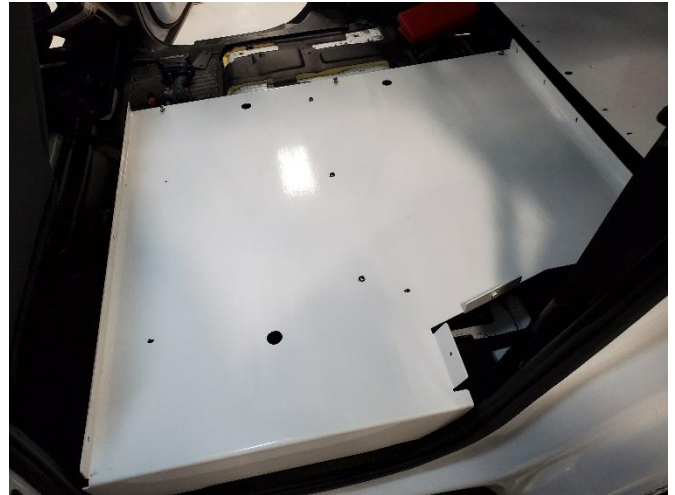
Remove rear seat bolts from front passenger seat. Place lower prisoner side bulkhead floor mount bracket under seat rails. Attach bracket and seat rails reusing OEM hardware.



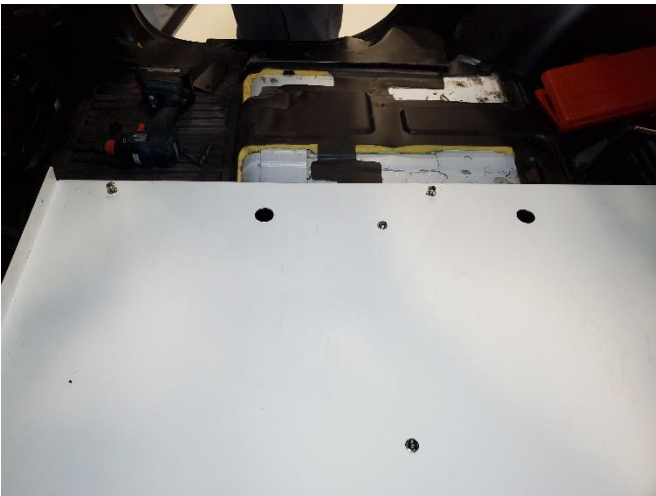
Using previously removed seat mounting hardware, attach driver side floor mounting bracket. Do not tighten hardware yet.



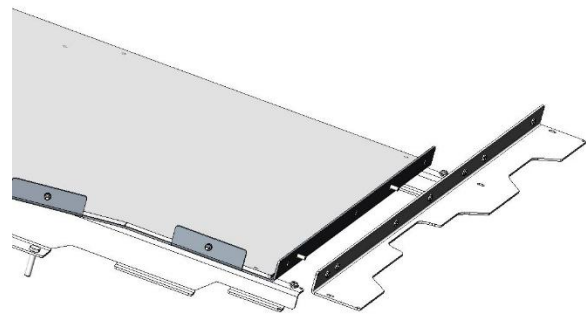
Repeat for middle bracket.
Do not tighten hardware yet.



Attach stiffener (angle) bracket to bottom of K9 floor with
(3) 1/4" x 3/4" Phillips head bolts and flat washers.
Place K9 floor in vehicle and properly line up to brackets.



Loosely attach floor to brackets with 1/4" x 3/4"
Phillips head bolts and flat washers.



Attach rear cargo filler plate to rear K9 floor using
1/4" x 3/4" Phillips head bolts and flat washers.



After floor hardware has been attached, tighten
OEM mounting hardware through holes in floor.



Install supplied 1.0625 dome plugs into holes in floor.
It is recommended to add silicone to prevent leaks.



Tighten rear floor mounting hardware.



Install rear bulkhead using 1/4" x 3/4" Phillips head bolts and flat washers.



Install divider wall into vehicle and attach to floor using 1/4" x 3/4" Phillips bolts and flat washers.



Attach divider to rear bulkhead using 1/4" x 3/4" Phillips bolts and flat washers.

Leave hardware loose.



Be sure to attach passenger side of lower rear bulkhead to rear cargo filler plate using 1/4" x 3/4" Phillips bolts and flat washers.



Place passenger front bulkhead into vehicle and attach to divider wall using 1/4" x 3/4" carriage bolts and serrated nuts.



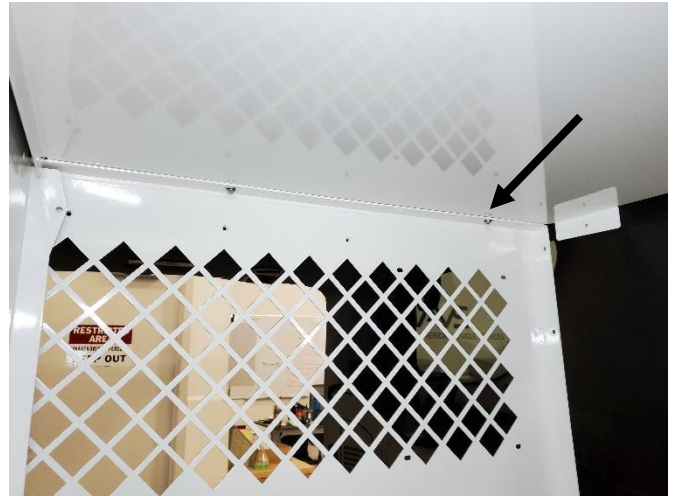
Attach bulkhead to B pillar bracket using 1/4" x 3/4" carriage bolts and serrated nuts.



Attach bulkhead to floor mount bracket using 1/4" x 3/4" carriage bolts and serrated nuts.



Place K9 bulkhead into vehicle and attach to B pillar bracket using 1/4" x 3/4" carriage bolts and serrated nuts.



Place ceiling panel on top of bulkheads and loosely attach to rear bulkhead using 1/4" x 3/4" Phillips head bolts and flat washers.



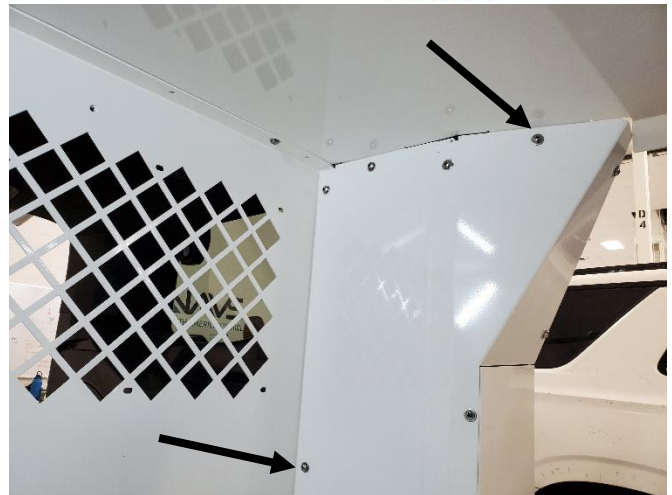
Attach ceiling to front bulkhead using 1/4" x 3/4" Phillips head bolts and flat washers.



Attach ceiling to front middle divider using 1/4" x 3/4" Phillips head bolts and flat washers.



Sub-assembly K9 inner side filler, outer side filler, and filler extension panels outside of insert using 1/4" x 3/4" Phillips head bolts and flat washers.



Place side filler assembly into kit and slide towards rear bulkhead. Attach to ceiling and rear bulkhead using 1/4" x 3/4" Phillips bolts and flat washers.



Attach to floor using 1/4" x 3/4" Phillips bolts and flat washers.

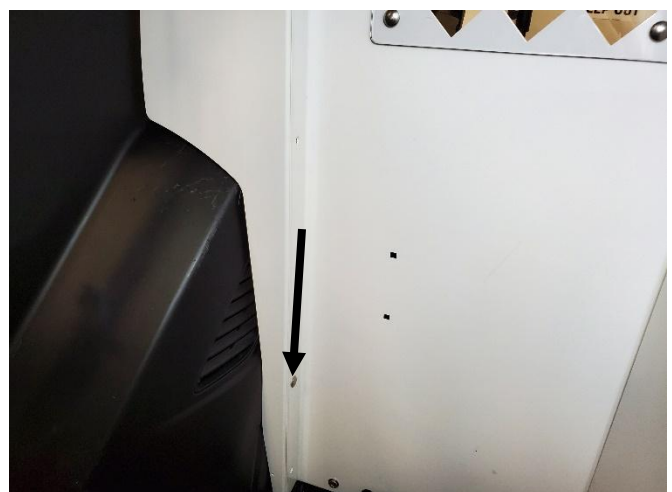


Place rear passenger side top trim panel onto rear bulkhead and attach using 1/4" x 3/4" carriage bolts and serrated nuts.



Install rear passenger side trim panel onto rear bulkhead and attach using 1/4" x 3/4" carriage bolts and serrated nuts.

Do not tighten hardware



Tighten all hardware



Tighten all hardware



Install LED dome light as per instructions and hardware included with the dome light kit.



Re-install previously removed OEM seat.

Tighten hardware to manufactures specifications.



Example of optional **K9-A-102** installed on passenger side of front bulkhead.



Attach side trim panel to floor using 1/4" x 3/4" Phillips bolts and flat washers.

Neatly silicone / caulk the lower seams to shed water out of vehicle. **Note:** The floor is designed to minimize the need for sealant. Caulk (sealant) is mostly needed where the floor meets the doorsill and lower filler panels.



After silicone is dry, place in rubber mat to complete installation.