

INSTALL INSTRUCTIONS C-VSW-1012-TAH-1
2025-2026 Chevy Tahoe Police Pursuit Vehicle (PPV)
Vehicle Specific Console (12" inches wide)
22" inches of Equipment mounting space

Not applicable when the full size, OEM console is ordered. HVAC controller is different size.

TOOLS REQUIRED:

| | | |
|-----------------------|---------------------|---------------|
| Phillips Screw Driver | Standard Socket set | T-20 Torx Bit |
| Metric Socket set | 12mm x 1.75 Tap | |

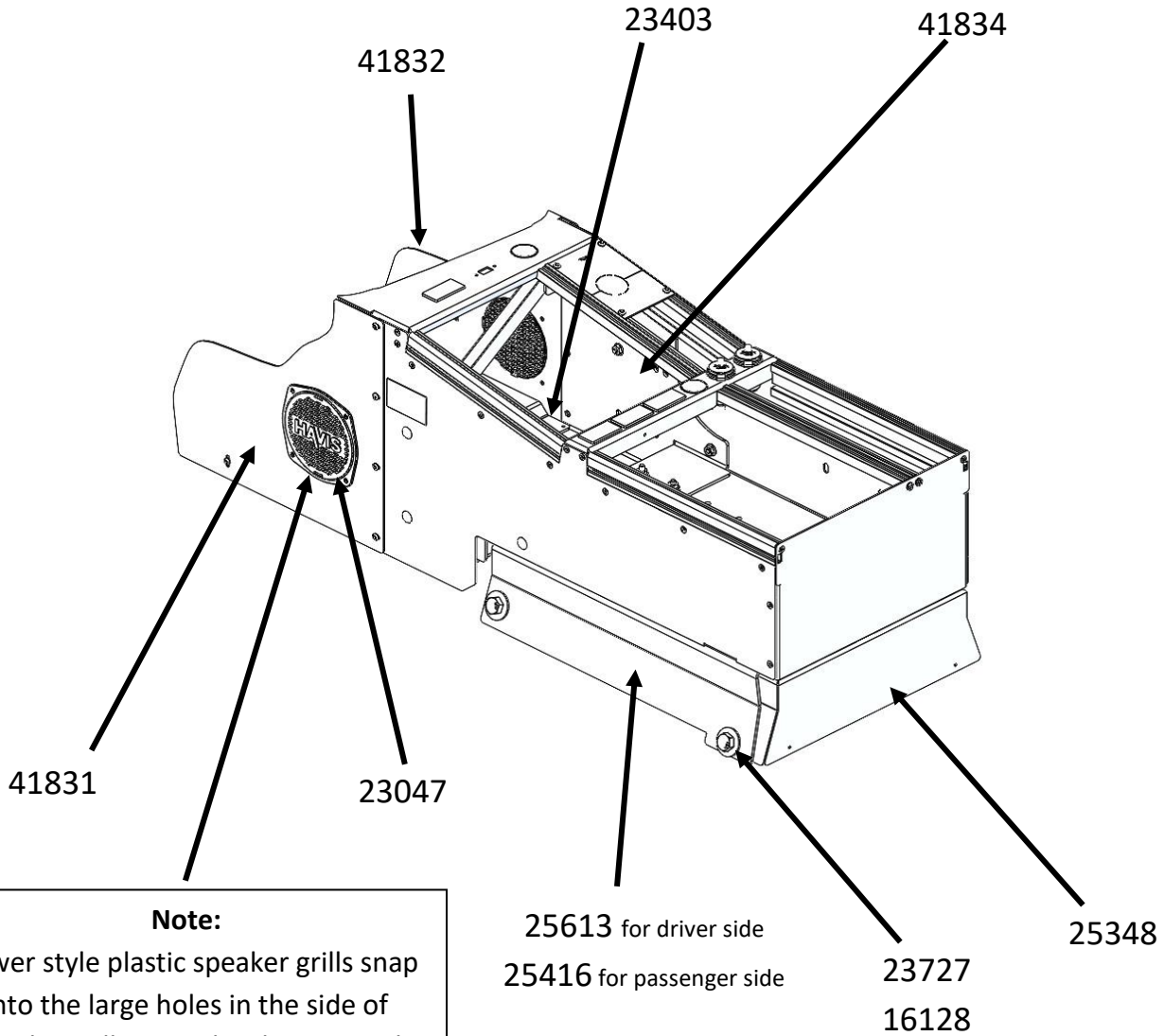
PARTS and MOUNTING HARDWARE:

| <u>QTY</u> | <u>DESCRIPTION</u> | <u>ITEM#</u> |
|-------------------|--------------------------------|---------------------------------------|
| 1 | Main console housing | |
| 1 | Equipment mounting tray | 23403 |
| 1 | Main forward support bracket | 25414 |
| 1 | DS Trim panel | 41831 |
| 1 | PS Trim panel | 41832 |
| 1 | DS Floor mounting bracket | 25613 |
| 1 | PS Floor mounting bracket | 25416 |
| 1 | Lower rear trim panel | 25348 |
| 12 | 1/4-20 Hex Nut | 15997 OR 1 - 25520 (includes 12 nuts) |
| 6 | 1/4-20 Hex serrated flange nut | 16013 |
| 4 | M12 x 1.75 Bolt | 23727 |
| 4 | 7/16" Flat washer | 16128 |
| 1 | Mic Clip bracket | 23383 |
| 10 | #8 x 3/8" T-20 Torx screw | 13405 |
| 2 | 1/4" Flat washer | 16122 |
| 2 | 1/4" Split lock washer | 16142 |
| 2 | 1/4" x 1/2" Carriage bolt | 16222 |
| 4 | 1/4" x 3/4" Carriage bolt | 16223 |
| 2 | 1/4" x 1/2" Bolt | 16325 |
| 2 | Speaker grill | 23047 |
| 1 | 7/8" Dome plug | 13401 |

Always!

- Read all instructions before installing any Havis, Inc. products.
- Use hardware provided with install kit

C-VSW-1012-TAH-1



Note:
Newer style plastic speaker grills snap into the large holes in the side of console. Grill mount hardware is only required if attaching speaker on the inside of grill. Hardware not provided.
Recommended Hardware: (4x) #8 Keps nuts, (4x) 8-32 x 3/4" screws



View of Tahoe prior to installation.



Remove covers on lower, front sides of OEM center seat.



Remove OEM bolts.



The rear bolts are obstructed by the seat rail.



To remove bolts, the seat will need to be unbolted and shifted out of the way.
Removing seats completely is recommended.
Repeat process for both sides.



We highly recommend bolting seats back in after console is installed. This makes installation much easier.



Place floor, mounting brackets over holes in floor and attach using M12 x 1.75 bolts and 7/16" flat washers.

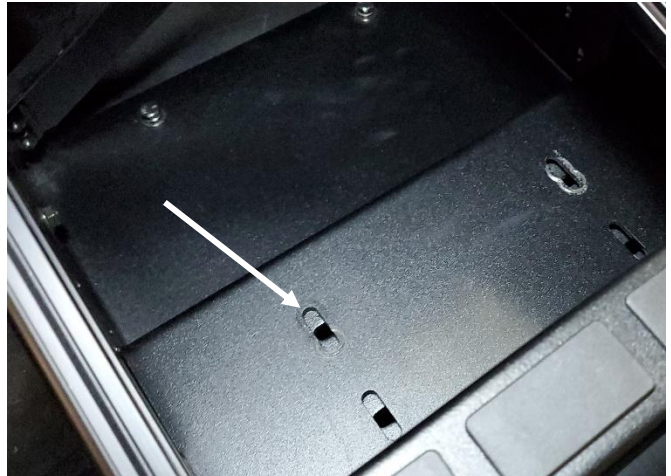
Note: You must use a 12mm x 1.75 tap to thread holes on PPV without OEM center seat or console.



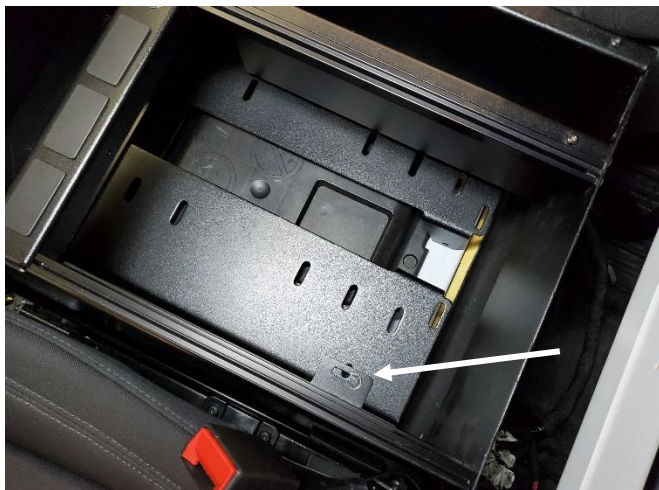
Level driver and passenger side brackets and loosely attach floor mount hardware.



Place console housing with forward support bracket onto floor mounting brackets and slide housing toward dash.



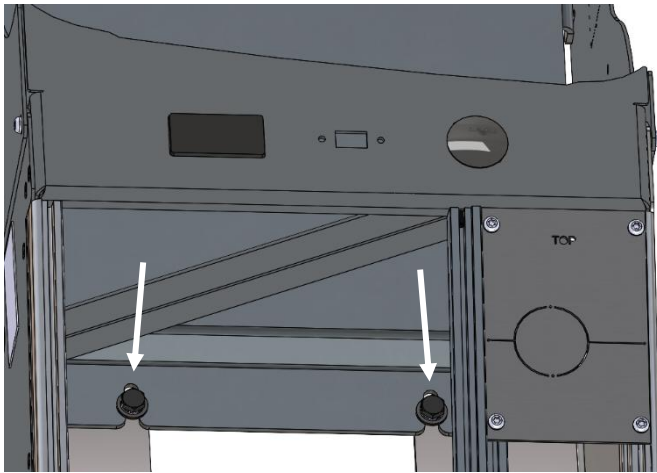
Loosely attach forward support bracket to floor brackets with 1/4" x 3/4" carriage bolts and serrated nuts.



Loosely attach rear console housing and lower rear trim panel to floor brackets with 1/4" x 3/4" carriage bolts and serrated nuts.



Place forward equipment mounting tray in front of console.



Loosely attach tray to support bracket using (2) 1/4" x 1/2" bolts, split lock washers, and flat washers.
Install supplied blanks and plug in DS-DA-311 to factory aux module.



Attach forward side filler panels to console and equipment mounting tray using #8 x 3/8" Torx screws. Tighten all mount hardware. Install OEM 120 volt socket into passenger side panel.
Snap speaker grills into panels.
Note: Grill mount holes and screws are only needed if adding speaker.



Install equipment into console.



Bolt seats back into vehicle. Installation is now complete.