

INSTALL INSTRUCTIONS C-VSW-1014-RAM

Vehicle Specific Console with 24” inches Equipment space

For Ram 5th Generation body style Trucks with 40/20/40 seats

2020-2025	Ram 2500 Pickup Truck	(5th gen- Body Code DJ)
2020-2025	Ram 3500 Pickup Truck	(5th gen- Body Code D2)
2019-2025	Ram 3500 Chassis Cab	(5th gen- Body Code DD & DF)
2019-2025	Ram 4500 & 5500 Chassis Cab	(5th gen- Body Code DP)

Note:

Console mounts to OEM seat brackets when center /20/ seat section is removed.

TOOLS NEEDED:

Phillips Screw Driver	Wire Cutters	Wire Crimping tool
Socket set (Standard & Metric)	Open End wrench set	T-20 Torx bit

INSTALLATION PARTS AND MOUNTING HARDWARE:

<u>QTY</u>	<u>DESCRIPTION</u>	<u>PART #</u>
2	Speaker grill	23047
1	Pole knockout / AUX filler panel	27166
1	Floor trim / Passenger side	27272
1	1/4" Hex nut kit	25520 (includes 12 nuts)
1	Switch blank (C-SW-B)	14000
10	#8 x 3/8” T-20 Torx screw	13405
1	1-1/8” Dome plug	15804
4	5/16-18 Hex nut	15999
8	5/16" Flat washer	16123
4	5/16" Lock washer	16143
4	5/16-18 X 3/4" Hex bolt	16335

ALWAYS!

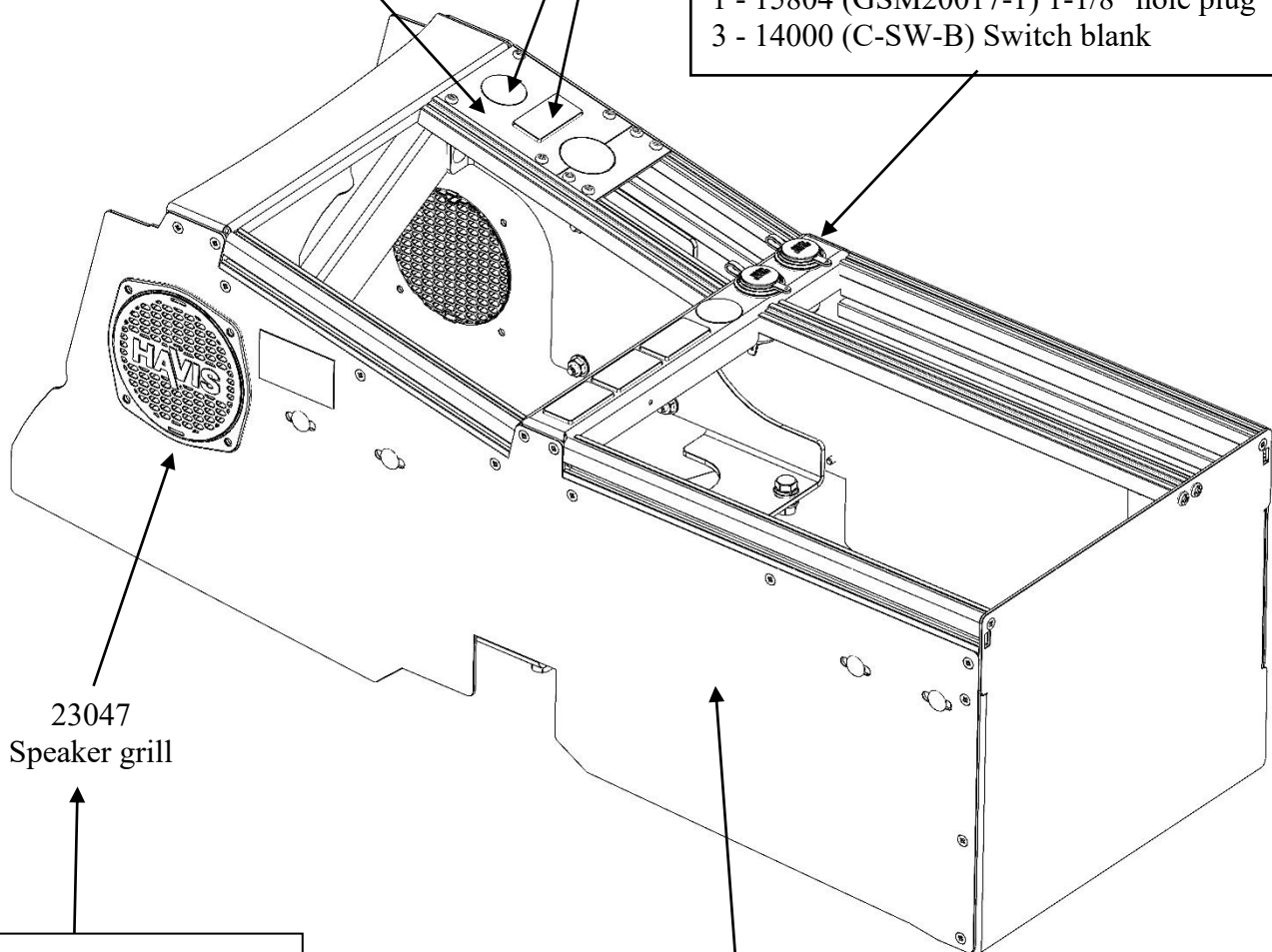
- * Read all Instructions before installing any Havis, Inc. products.
- * Use Hardware included with install kit

**C-VSW-1014-RAM
(Assembly)**

Console comes with the following shipped loose:
1 - 15804 (GSM20017-1) 1-1/8" hole plug
1 - 14000 (C-SW-B) Switch blank

27166
Pole knockout / AUX
filler panel

Console comes with the following
Pre-installed in crossbar:
2 - 25834 12 volt socket
1 - 13852 (CMC-E2) Harness for dual 12v sockets
1 - 15804 (GSM20017-1) 1-1/8" hole plug
3 - 14000 (C-SW-B) Switch blank



23047
Speaker grill

Main Console Housing

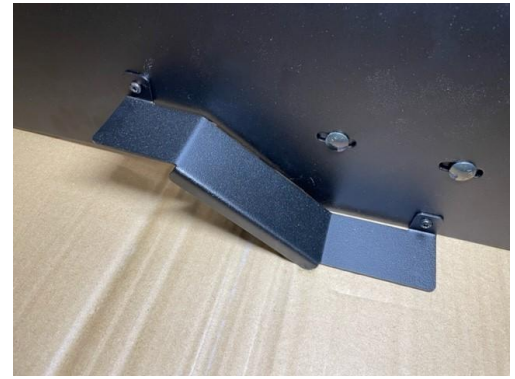
Note:
Newer style plastic speaker
grills snap into the large
holes in the side of console.
Grill mount hardware is only
required if attaching speaker
on the inside of grill.
Hardware not provided.
Recommended Hardware:
(4x) #8 Keps nuts, (4x) 8-32
x 3/4" screws



View of OEM interior prior to installation of C-VS-1014-RAM console.



Remove center seat and front accessory pocket. Leave OEM center seat brackets in vehicle.



Attach cover plate on passenger side of console with supplied Torx screws. This can be done after console is installed, but passenger seat would need to be removed for hardware access.



Carefully place console housing into vehicle on top of OEM center seat brackets.



****Be careful not to damage OEM plugs and harnesses on transmission hump****



Position console up against lower center dash



Attach console floor brackets to OEM seat brackets with 5/16-18 x 3/4" Hex bolts, flat washers, lock washers and nuts.



Optional C-HDM-214 pole can be installed at this time using the existing 1/4" x 3/4" carriage bolts in the side of console. Remove round knockout in pole face plate and attach plate to console around pole.



Console housing installed and ready to complete wiring, control head, and accessory installation. Slide 1/4-20 hex nuts (provided) into side extrusions as needed for side mounted accessories