

INSTALL INSTRUCTIONS C-VSW-1014-RAM-1
Vehicle Specific Console with 24” inches Equipment space
For Ram 5th Generation body style Trucks
With 40/20/40 seats and 4 x 4 Transfer case shifter on floor.

2020-2026	Ram 2500 Pickup Truck	(5th gen- Body Code DJ)
2020-2026	Ram 3500 Pickup Truck	(5th gen- Body Code D2)
2019-2026	Ram 3500 Chassis Cab	(5th gen- Body Code DD & DF)
2019-2026	Ram 4500 & 5500 Chassis Cab	(5th gen- Body Code DP)

Note:

Console mounts to OEM seat brackets when center /20/ seat section is removed.

TOOLS NEEDED:

Phillips Screw Driver	Wire Cutters	Wire Crimping tool
Socket set (Standard & Metric)	Open End wrench set	T-20 Torx bit

INSTALLATION PARTS AND MOUNTING HARDWARE:

<u>QTY</u>	<u>DESCRIPTION</u>	<u>PART #</u>
2	Speaker grill	23047
1	Driver side forward trim panel	27213
1	Floor trim / Passenger side	27272
1	Shifter boot retaining / adaptor plate (front)	27275
1	Shifter boot retaining / adaptor plate (rear)	27215
2	1/4" ID x 1/2" OD x 5/16" long spacer	16732
4	1/4-20 Hex serrated nut	16013
1	1/4" Hex nut kit	25520 (includes 12 nuts)
4	#8 x 3/8" T-20 Torx screw	13405
4	5/16-18 Hex nut	15999
8	5/16" Flat washer	16123
4	5/16" Lock washer	16143
4	5/16-18 X 3/4" Hex bolt	16335

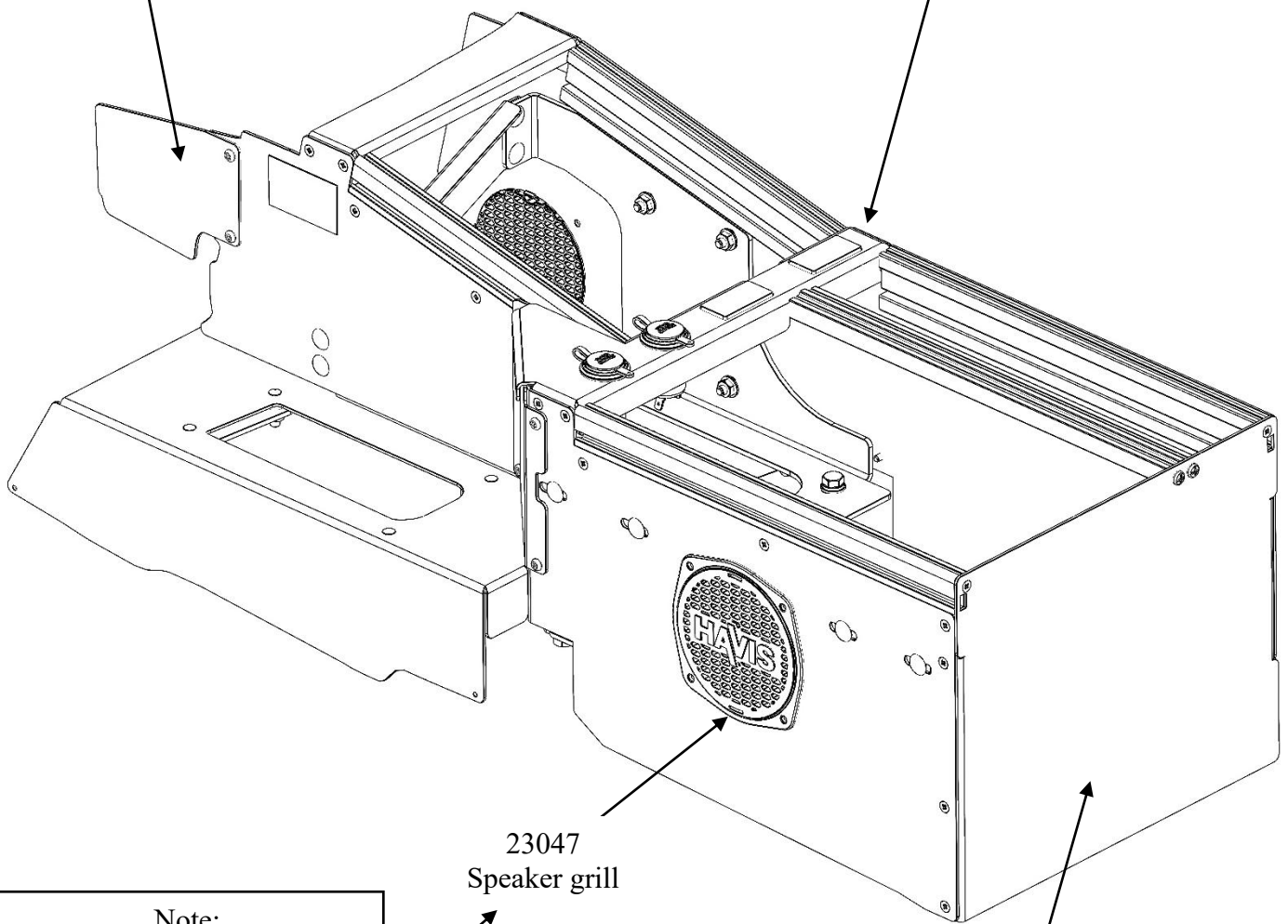
ALWAYS!

- * Read all Instructions before installing any Havis, Inc. products.
- * Use Hardware included with install kit

**C-VSW-1014-RAM-1
(Assembly)**

27213
Driver side
Forward trim panel

Console comes with the following
Pre-installed in crossbar:
2 - 25834 12 volt socket
1 - 13852 (CMC-E2) Harness for dual 12v sockets
2 - 14000 (C-SW-B) Switch blank



Note:
Newer style plastic speaker
grills snap into the large
holes in the side of console.
Grill mount hardware is only
required if attaching speaker
on the inside of grill.
Hardware not provided.
Recommended Hardware:
(4x) #8 Keps nuts, (4x) 8-32
x 3/4" screws

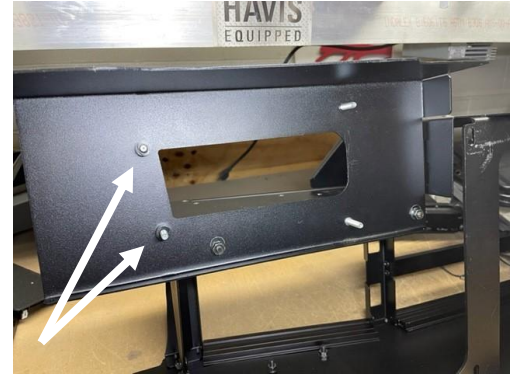
Main Console Housing



View of O.E.M. interior prior to installation of C-VS-1014-RAM-1 console.



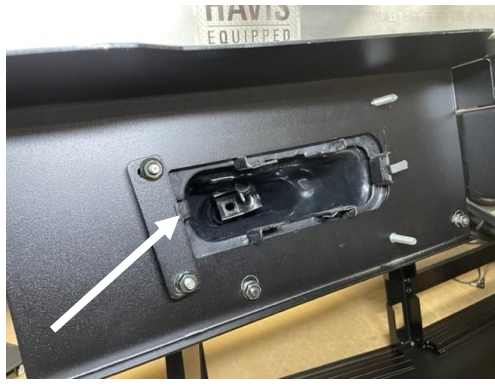
Remove center seat and front and floor shift rod with knob. Leave OEM center seat brackets in vehicle.



Turn console on side to access shifter mount hardware. Place two (2) and 5/16" long spacers on forward studs



Place front shifter boot retaining / adaptor plate (27275) on spacers and attach with 1/4-20 serrated nuts.



Place OEM shifter with rubber boot into cutout and clip onto front retaining plate.



Attach rear shifter boot retaining / adaptor plate (27215) on rear studs with 1/4-20 serrated nuts. Clip on rubber boot onto plate.



Shifter assembly ready to go back into vehicle.



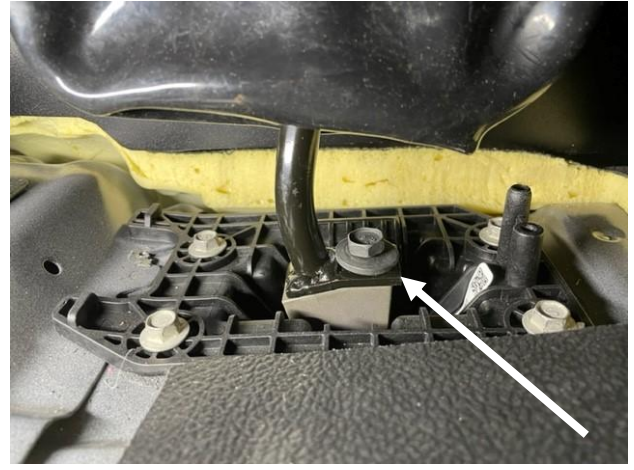
Attach cover plate on passenger side of console with supplied Torx screws. This can be done after console is installed, but passenger seat would need to be removed for access.



Carefully place console housing into vehicle on top of OEM center seat brackets.



****Be careful not to damage OEM plugs and harnesses****



Reattach shifter assembly back onto transfer case.
This can be accessed through passenger side speaker cutout.



Make sure shifter and boot are secure



Attach console floor brackets to OEM seat brackets with 5/16-18 X 3/4" Hex bolts, flat washers, lock washers and nuts.



Attach driver side forward trim panel with supplied Torx screws.



Console housing installed and ready to complete wiring, control head, and accessory installation.
Slide 1/4-20 hex nuts (provided) into side extrusions as needed for side mounted accessories