

## INSTALL INSTRUCTIONS

### C-VSW-2600-SILV & C-VSW-1900-SILV-PM & C-VSW-1900-SILV-PM-2

**2023-2026 Chevy Silverado PPV (9C1) 1500 Crew Cab Pickup**

**2019-2026 Chevy Silverado and GMC Sierra 1500 (4th Generation)**

**2020-2026 Chevy Silverado and GMC Sierra 2500HD and 3500HD (4th Generation)**

**2020-2026 Chevy Silverado C3500HD Chassis Cab (4th Generation)**

### Vehicle Specific Consoles

***\*Not compatible with interior in vehicle with 13.4" Diagonal Infotainment 3 Premium System\****

**TOOLS REQUIRED:**

Phillips Screw Driver                      Standard Socket set                      Metric Socket set                      T-20 Torx Bit

**PARTS and MOUNTING HARDWARE:**

**C-VSW-2600-SILV**

**QTY DESCRIPTION PART#**

2	1/2" Spacer	11412
2	Floor mounting bracket	12180
2	Speaker cover	23047
1	DS forward trim panel	23472
1	PS forward trim panel	23473
1	Electronics mounting tray	23474
10	1/4" Serrated nut	16013
10	1/4" x 3/4" Carriage bolt	16223
10	#8 flat head screw	16425
1	Block foam (2" x 2.5" x 8")	12457

**C-VSW-1900-SILV-PM & C-VSW-1900-SILV-PM-2**

**QTY DESCRIPTION PART#**

1	Printer paper roll rod	12660
2	1/2" Spacer	11412
2	Floor mounting bracket	12180
2	Speaker cover	23047
1	DS forward trim panel	23472
1	PS forward trim panel	23473
1	Electronics mounting tray	23474
10	1/4" Serrated nut	16013
10	1/4" x 3/4" Carriage bolt	16223
10	#8 flat head screw	16425
1	Block foam (2" x 2.5" x 8")	12457
1	<b>USB-A to 90° USB Mini-B extension cable</b>	<b>16934 for PocketJet 6 and 7 (C-VSW-1900-SILV-PM)</b>

**OR**

1	<b>USB-A to 90° USB-C extension cable (DS-DA-340)</b>	<b>37554 for PocketJet 8 (C-VSW-1900-SILV-PM-2)</b>
---	---	---

**Always!**

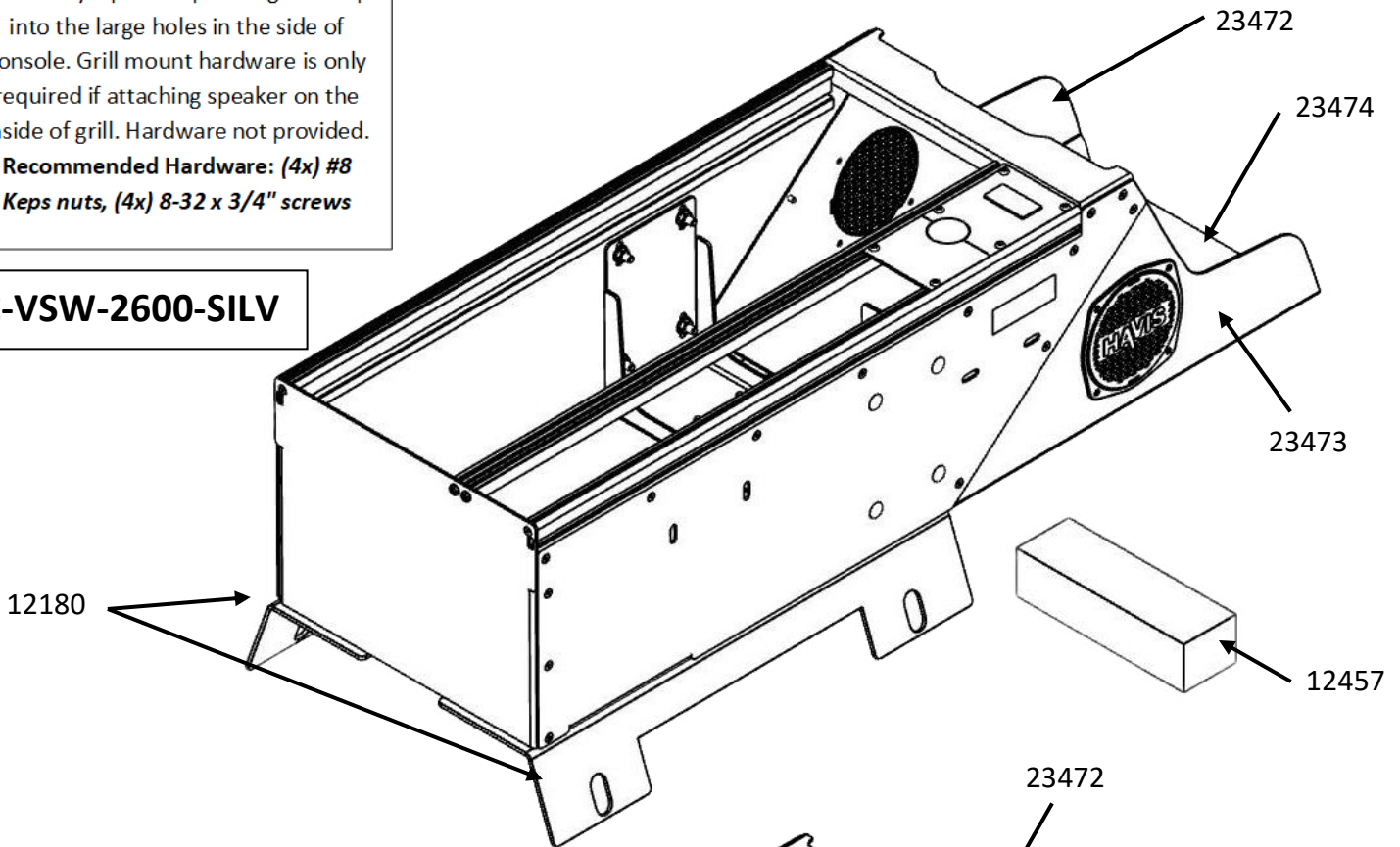
- Read all instructions before installing any Havis, Inc. products.
- Use hardware provided with install kit

**Note:**

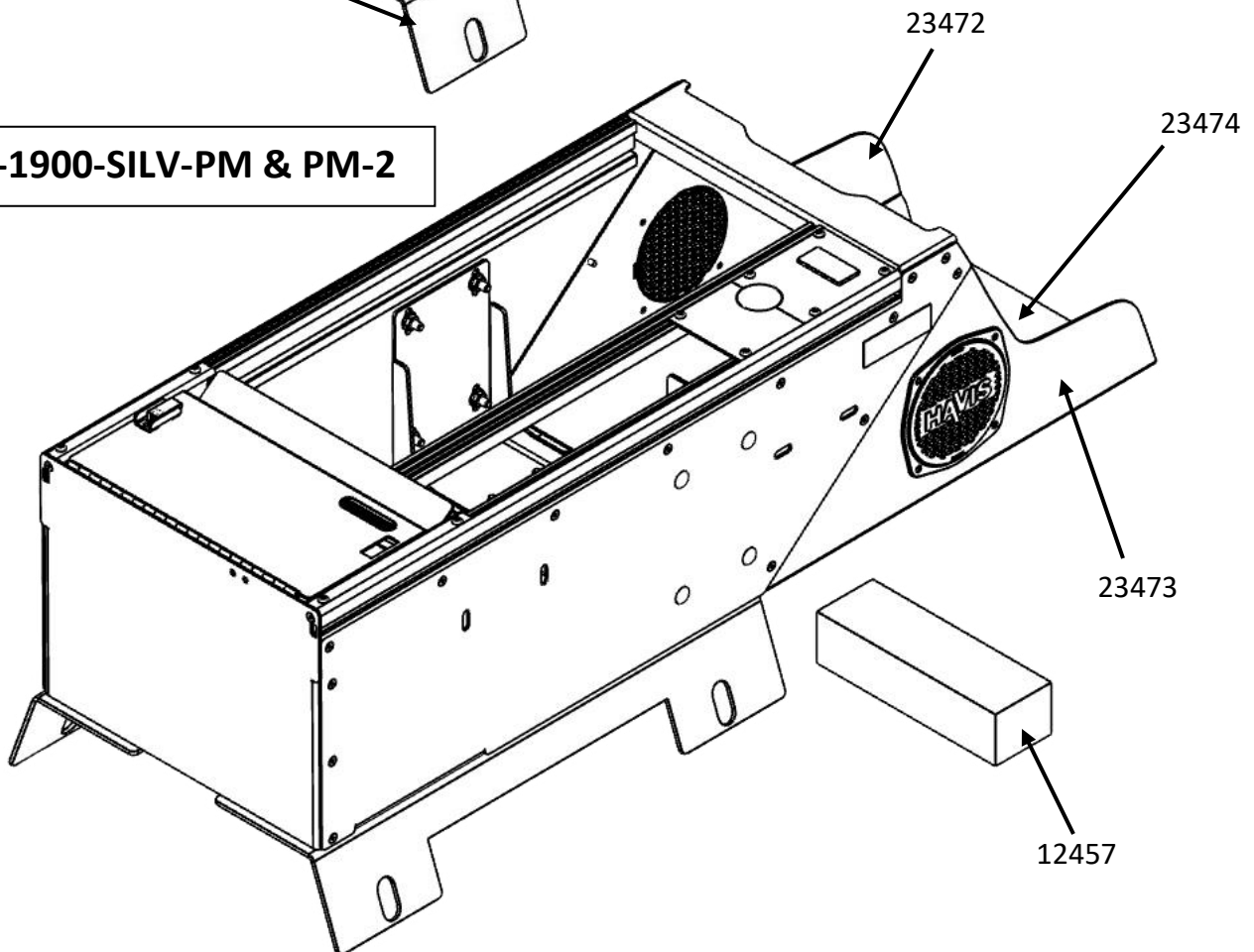
Newer style plastic speaker grills snap into the large holes in the side of console. Grill mount hardware is only required if attaching speaker on the inside of grill. Hardware not provided.

**Recommended Hardware: (4x) #8 Keps nuts, (4x) 8-32 x 3/4" screws**

**C-VSW-2600-SILV**



**C-VSW-1900-SILV-PM & PM-2**





View of Silverado/Sierra prior to install



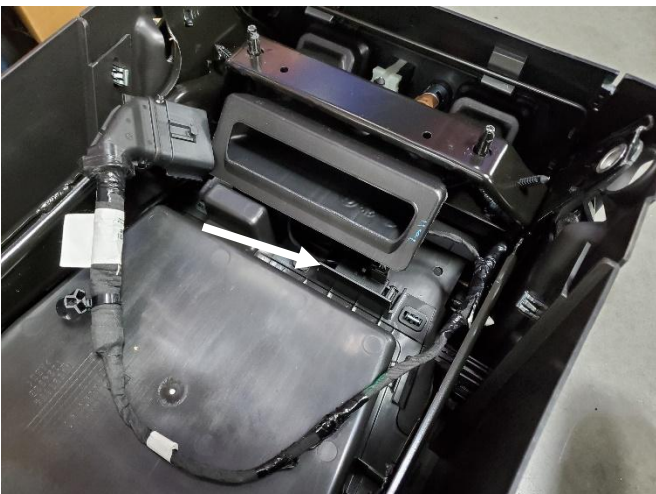
Remove access covers on front sides of OEM center seat.



Remove OEM bolts using 18mm socket



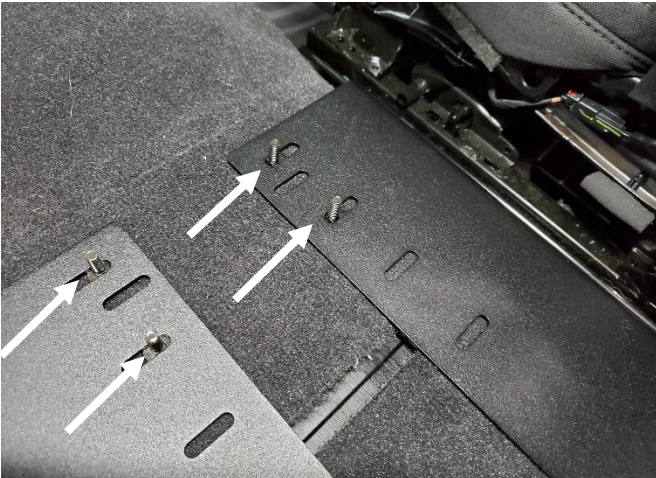
Temporarily remove front seats so you can access and remove the center seat rear bolts.



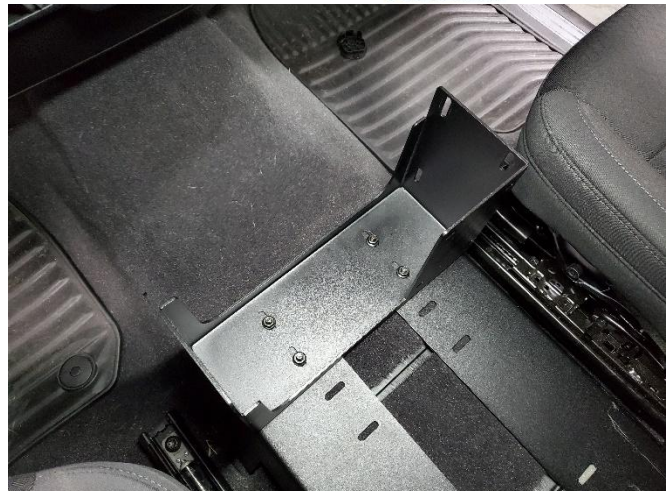
Remove wiring harness and proximity key module from under side of center seat. Plug harness back in and secure module to floor with wire tie.



Attach floor mounting brackets using previously removed OEM hardware. Use 1/2" spacers at front between bracket and Trans hump. Seal off (plug) vent duct with block of foam provided.



Prior to installing console, insert 1/4" x 3/4" carriage bolts up through the floor mounting brackets as shown.



Place front mounting bracket on carriage bolts and attach with serrated nuts. Do not tighten yet.



Place console in vehicle and line up to dash.



Attach passenger side console housing to mounting bracket with 1/4" x 3/4" carriage bolts and serrated nuts.



Attach driver side console housing to mounting bracket with 1/4" x 3/4" carriage bolts and serrated nuts.



Attach rear of console housing to floor bracket with 1/4" x 3/4" carriage bolts and serrated nuts.



Slide equipment mounting plate in front of console.  
This can be installed prior to placing console in vehicle if desired.



Attach side trim panel to console housing and equipment mounting plate using #8 flat head screws.



Repeat for other side.



Snap speaker grills into side of console.



Wire and install equipment.



Installation is now complete.