

INSTALL INSTRUCTIONS C-VSW-2600-EXPD

Vehicle Specific Console

For 2025-2026 Ford Expedition

TOOLS NEEDED:

Socket set (Standard & Metric) Open End wrench set Phillips Screwdriver

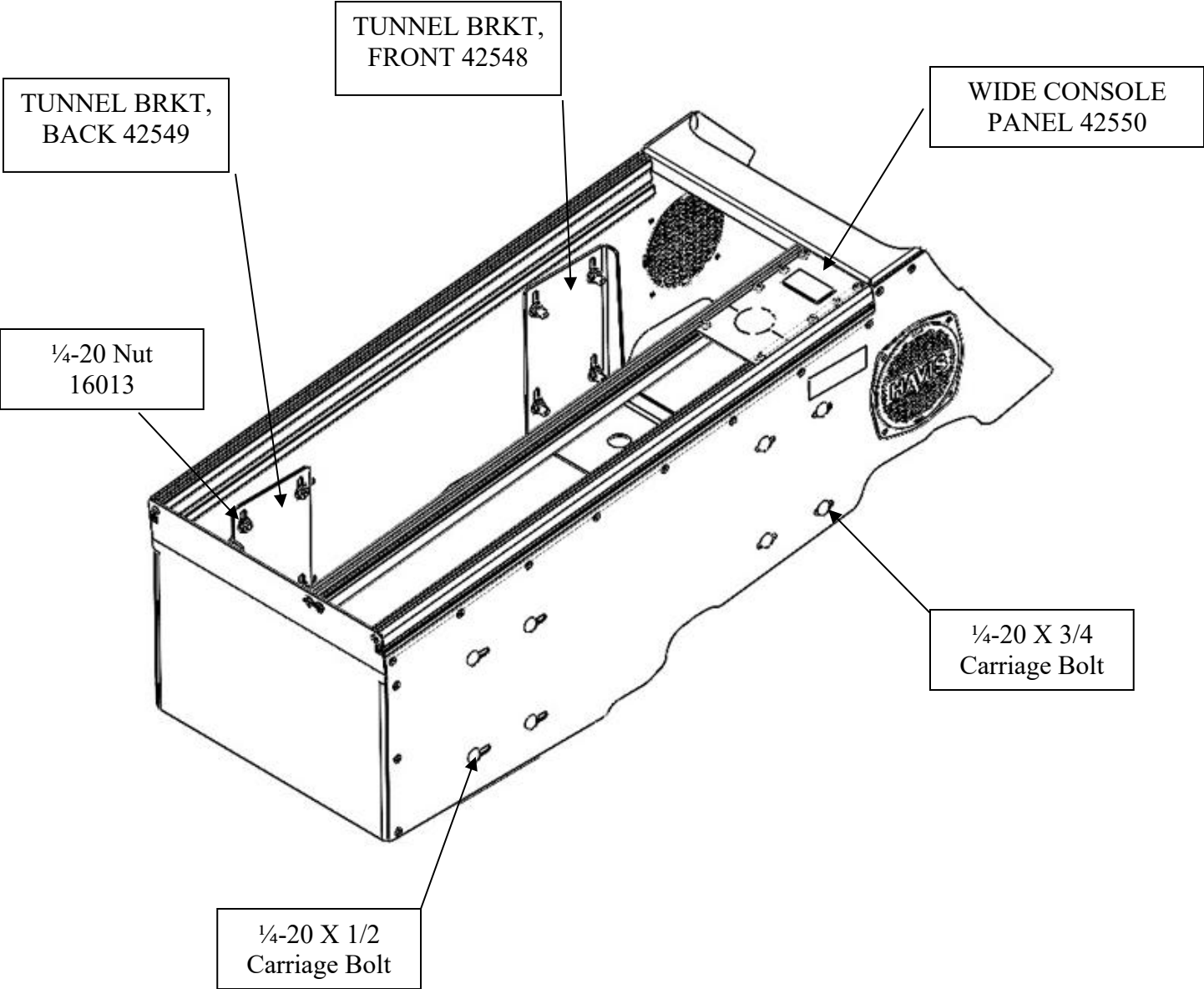
INSTALLATION PARTS AND MOUNTING HARDWARE:

<u>QTY</u>	<u>DESCRIPTION</u>	<u>PART #</u>
1	TUNNEL BRKT, FRONT, 2025 EXPEDITION VS CONSOLE	42548
1	TUNNEL BRKT, BACK, 2025 EXPEDITION VS CONSOLE	42549
1	FORD EXPEDITION, 2025, WIDE CONSOLE PANEL	42550
16	NUT 1/4-20 HEX FLANGE SERRATED ZP, BLK	16013
8	BOLT 1/4-20 X 1/2 CARRIAGE ZP BLK	16222
8	BOLT 1/4-20 X 3/4 CARRIAGE ZP BLK	16223

ALWAYS!

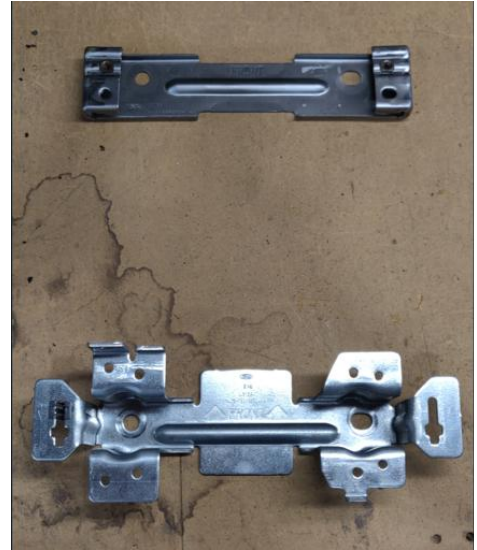
- * Read all Instructions before installing any Havis, Inc. products.
- * Use Hardware included with install kit

C-VSW-2600-EXPD-1 (Assembly)

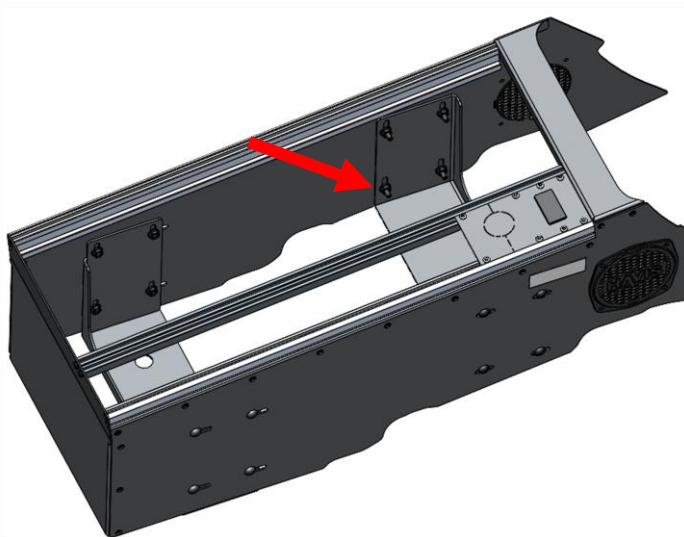




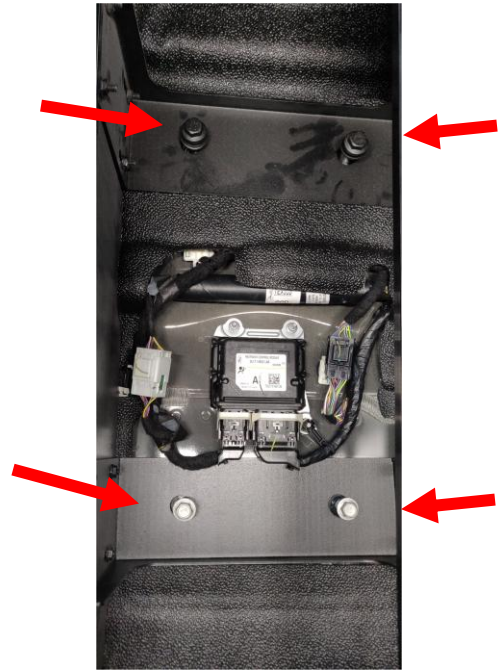
Remove OEM Center Console.



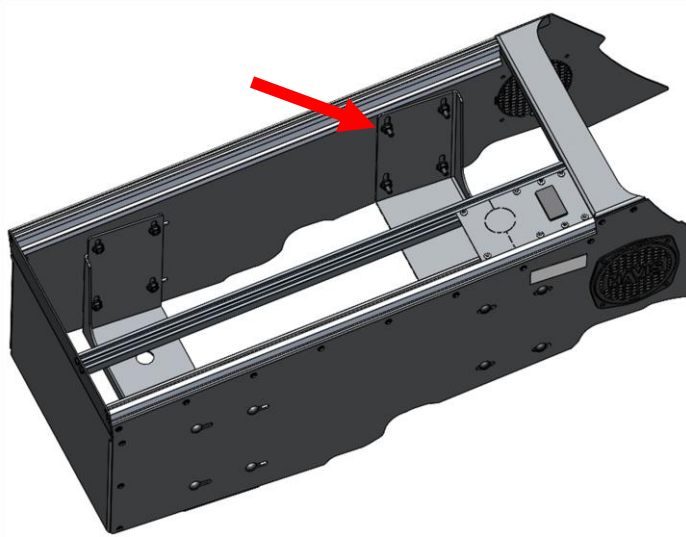
Remove OEM bolts (4) and Console Mount Brackets.



Loosen but do not remove, 16 mounting nuts.



Set Console in place and slide forward against dash. Align front and rear console mounting brackets and fasten to vehicle using OEM bolts.



Tighten all 16 mounting nuts.