

INSTALLATION INSTRUCTIONS

C-TTP-INUT-1201 & C-TTP-INUT-1201-80 & C-TTP-INUT-4

Hinge Up Equipment Mounting Platform for 2020-2026 Ford Interceptor Utility

TOOLS REQUIRED:

Standard & Metric socket set

Standard wrench set

C-TTP-INUT-1201 or C-TTP-INUT-1201-80

<u>QTY</u>	<u>DESCRIPTION</u>	<u>PART#</u>
1	DS Hinge support bracket	CM009925
1	PS Hinge support bracket	CM009924
1	DS "X" brace mounting bracket	CM009683
1	PS "X" brace mounting bracket	CM009682
1	DS side rear latch pedestal	25155
1	PS side rear latch pedestal	25154
1	Front closeout plate	23449
2	Electronics access cover	CM010285
2	Front support legs	CM010302
2	Prop rod	24847
1	Forward slidey trim panel	23450
6	Pull through rubber bumpers	CM93084

Hardware kit 27221 includes the following:

2	U-bolt (with nuts)	GSM20406
2	3/8" Nylock nuts	GSM30018
28	1/4" Serrated nut	GSM30023
12	#10 Flat washer	GSM31003
2	1/4" Flat washer	GSM31005
4	5/16" Flat washer	GSM31006
4	5/16" Split lock washer	GSM31027
4	3/8" Fender washer	GSM31144
4	5/16" x 3/4" Thread forming screws (For mounting SBX-1000)	GSM32038
2	3/8" x 1" Hex head bolt	GSM33028
12	10-32 x 1/2" Phillips pan head machine screw	GSM33118
2	M6 x 16mm Metric bolt	GSM33710
2	200 lb. rated gas spring with ball mount socket end	25367

OR

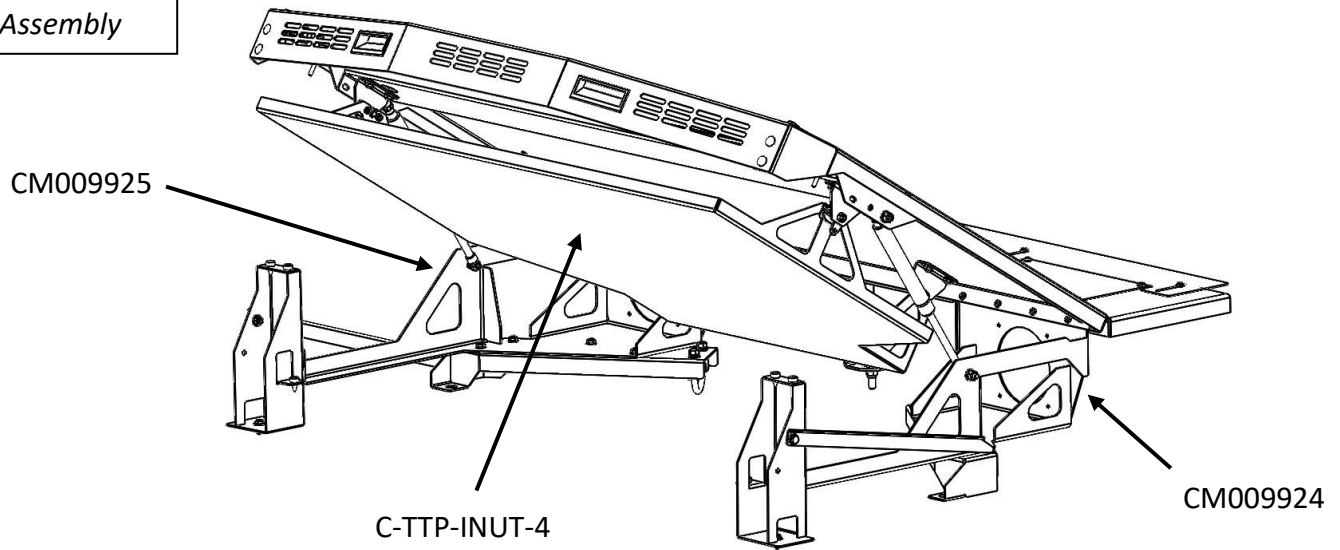
2	80 lb. rated gas spring with ball mount socket end	25369
---	--	-------

Note: Gas spring ball mount socket ends normally ship already attached to gas spring.

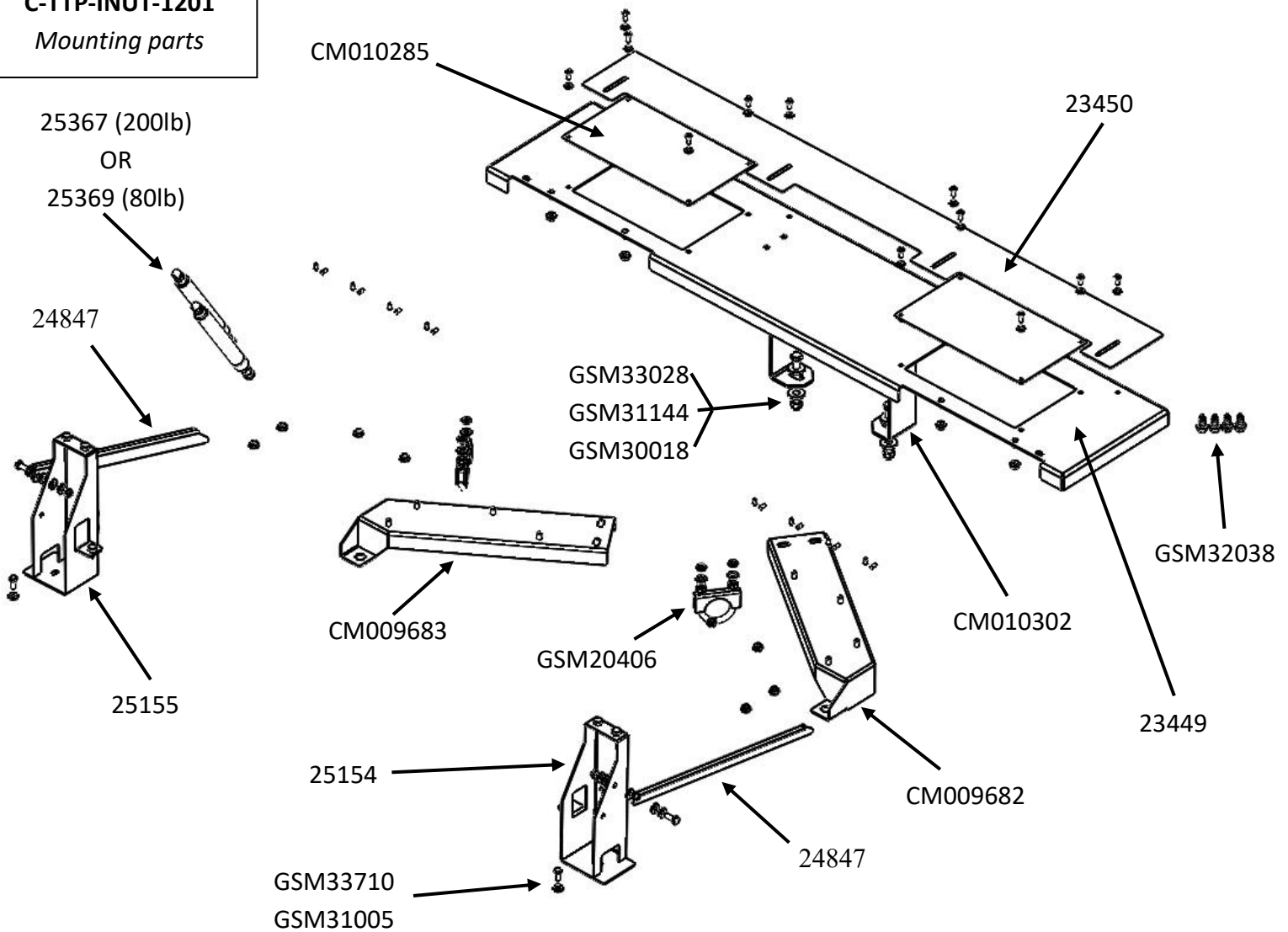
Always!

- Read all instructions before installing any Havis, Inc. products.
- **Check for obstructions (Wires, brake lines, fuel tank, etc.) before drilling any holes!**
- Use hardware provided with install kit

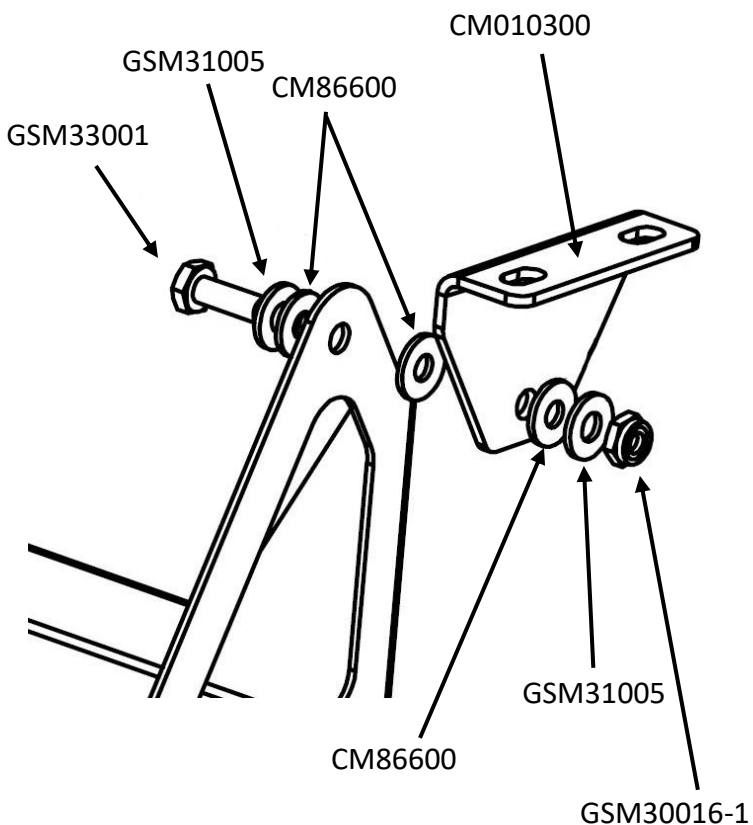
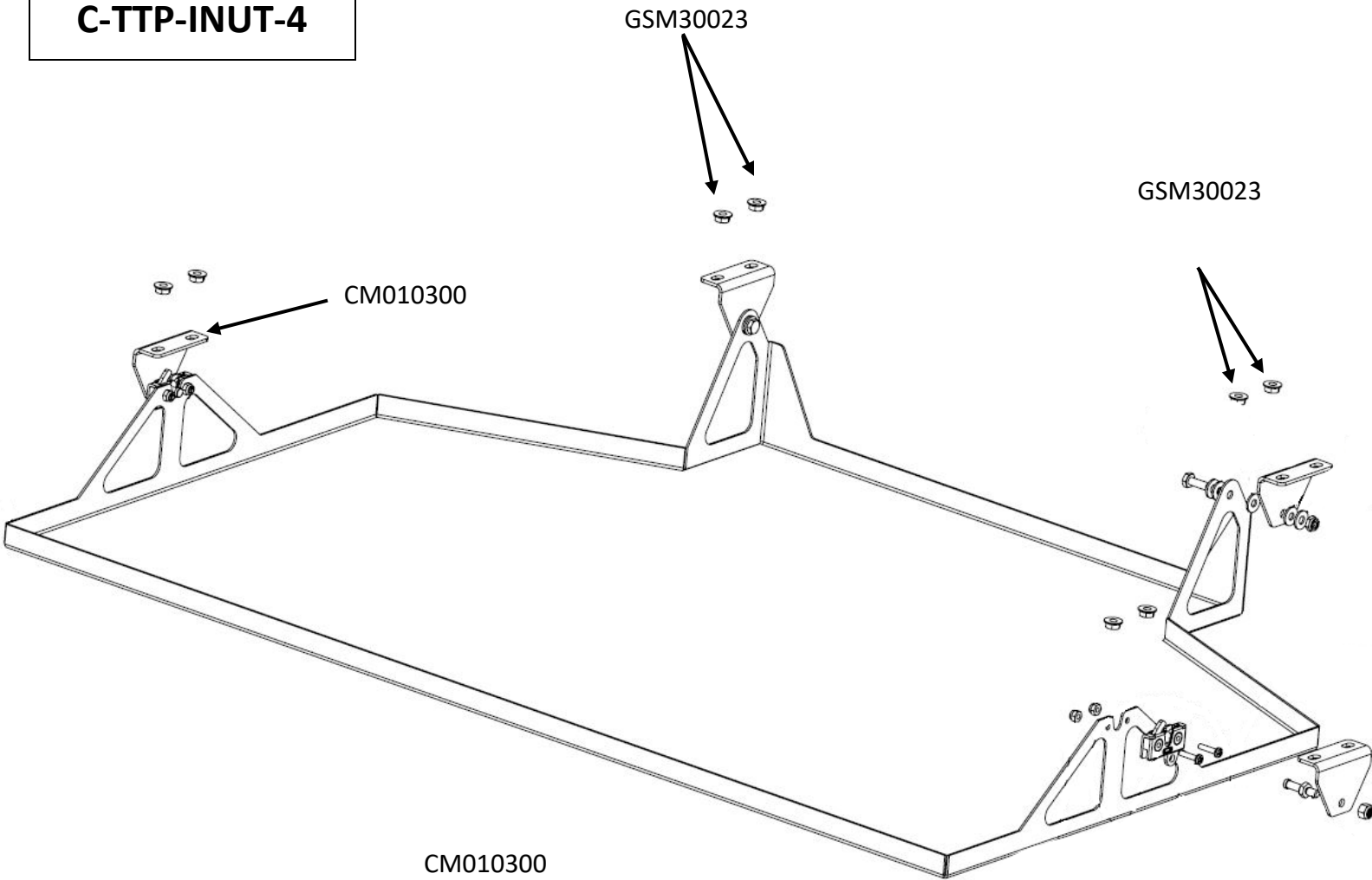
**C-TTP-INUT-1201
& C-TTP-INUT-4**
Full Assembly



C-TTP-INUT-1201
Mounting parts



C-TTP-INUT-4



C-TTP-INUT-4 – Hardware kit

QTY	DESCRIPTION	PART#
2	Striker	CM009345
2	Hanger bracket	CM010300
8	1/4" Serrated nut	GSM30023
2	1/4" Nylon nut	GSM30221

C-TTP-INUT-4 – Pre-installed hardware

QTY	DESCRIPTION	PART#
6	Nylon spacer	CM86600
4	8-32 Nylock nut	GSM30014
2	1/4" Nylock nut	GSM30016-1
4	1/4" Flat washer	GSM31005
2	1/4" x 3/4" Hex head bolt	GSM33001
4	8-32 x 3/4" Phillips screw	GSM33111
2	Dual rotary latch	GSM41015



Remove both sections of the OEM cargo floor.
T-55 Torx socket



Remove OEM foam sections from rear of vehicle.
(These will not be reused)



If using a Pro-Gard rear partition, optional PROKIT-2 is required. Remove the rear mounting bolts for the crash brace. Place the PROKIT-2 brackets on top of the crash brace and loosely install the forward bolt.



Place the TTP mounting bracket over the PROKIT-2 mounting bracket and install the rear OEM bolt.
(Do not tighten hardware yet)



Attach other end of lower "X" brace bracket with supplied U-bolt, flat washers, lock washers and nuts.
Repeat for other side



Carefully place top mounting platform into rear of vehicle and onto the lower mounting brackets.



Attach to "X" brace mounting bracket studs using 1/4" serrated nuts. Once both sides are lined up, tighten OEM hardware and U-bolt



Loosely attach rear latch pedestal to OEM threaded holes in floor using M6 bolts and 1/4" washers.



Repeat rear latch pedestal mounting for other side.



Line up lower mounting support arm to rear pedestal mount studs and attach with 1/4" serrated nuts.



Tighten support arm and rear pedestal hardware. Repeat for other side



Attach CM010302 front support legs to OEM "X" brace using (2) 3/8" x 1" bolts, washers, and nylock nuts.

Tighten all hardware



Attach forward trim panel and electronics access covers to top of 1201 using (4) 10-32 x 1/2" screws and washers. Slide trim against partition and tighten hardware.



Attach gas springs to ball mounts. Be sure to have body of spring at the top.



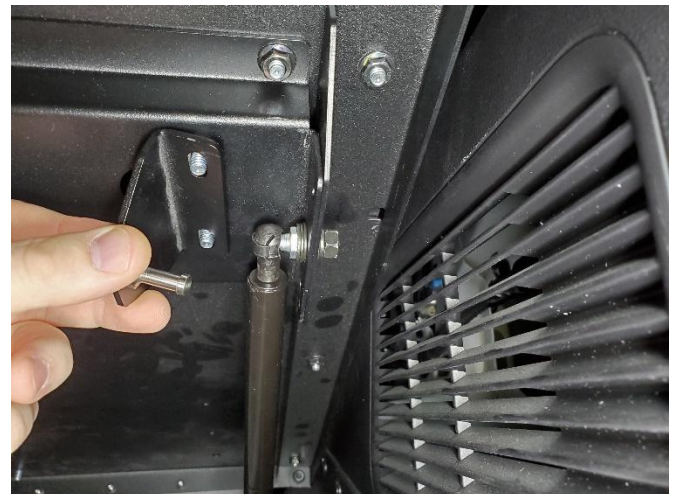
If using PROKIT-2 along with a Pro-Gard rear partition, install the rear support braces through opening in top of TTP. *Older TTP trays may not have the slots for the support arm. Slots will have to be cut in these instances.*



Attach to PROKIT-2 bracket using hardware supplied with Pro-Gard partition.



Attach support arm to Pro-Gard partition.



Attach C-TTP-INUT-4 lower rear latch support brackets to studs on underside of C-TTP-INUT-1201 using (2) 1/4" serrated nuts.



Attach C-TTP-INUT-4 to forward C-TTP-INUT-1201 studs using (4) 1/4" serrated nuts.



Mounting tabs for TTP-4 are slotted; adjust as needed to ensure smooth latching and unlatching of tray.



Open and close top platform and lower tray to confirm proper function.



Installation is now complete.



Example of C-TTP-INUT-4 with equipment mounted.



C-TTP-INUT-1201, C-TTP-INUT-4, with SBX-1001, SBX-3003, and SBX-4003