

Owner's Manual Havis Tablet Docking Stations and Tablet Cases

DS-TAB-401 Tablet Dock



TC-4XX Tablet Case (TC-410 shown below)



DS-TAB-401*TC-4XX-SERIES_OMN_0526

Before Beginning

Havis is pleased to provide this Owner's Manual to aid in the proper installation and use of the DS-TAB-401 Series Docking Station and TC-4XX Series Tablet Case.

For questions regarding the set-up of your DS-TAB-401 Series Docking Station or TC-4XX Series Tablet Case, please contact Havis at 1-800-524-9900 or visit www.havis.com for additional product support and information.

⚠️ WARNING ⚠️ AVERTISSEMENT

- NEVER STOW OR MOUNT THE DOCKING STATION DIRECTLY IN A VEHICLE AIRBAG DEPLOYMENT ZONE.
- DO NOT USE THE COMPUTER WHILE DRIVING.
- NE JAMAIS PLACER OU MONTER LA STATION D'ACCUEIL DIRECTEMENT DANS LA ZONE DE DÉPLOIEMENT DES COUSSINS GONFLABLES D'UN VÉHICULE.
- NE PAS UTILISER L'ORDINATEUR EN CONDUISANT.

⚠️ CAUTION ⚠️ ATTENTION

- READ ALL INSTRUCTIONS THOROUGHLY BEFORE BEGINNING INSTALLATION.
- DO NOT STORE, INSTALL, OR OPERATE THE DOCKING STATION WHERE WATER, MOISTURE, STEAM, DUST, ETC. ARE PRESENT
- FOR THE DS-TAB-400 DOCKING STATIONS: DO NOT CONNECT DIRECTLY TO VEHICLE VOLTAGE SOURCE: This product requires a certified, automotive grade, Dell/Havis approved power supply with a 24 V power output, such as the LPS-184
- LISEZ ATTENTIVEMENT TOUTES LES INSTRUCTIONS AVANT DE PROCÉDER À L'INSTALLATION.
- NE PAS ENTREPOSER, INSTALLER OU UTILISER LA STATION D'ACCUEIL DANS UN ENDROIT OÙ L'EAU, L'HUMIDITE, LA VAPEUR, LA POUSSIERE, ETC. SONT PRÉSENTS.
- POUR LES STATIONS D'ACCUEIL DS-TAB-400. NE PAS CONNECTER DIRECTEMENT A LA SOURCE DE TENSION DU VÉHICULE : Ce produit requiert un source de courant certifié, de qualité automobile et approuvé par Dell/Havis, pour une puissance de sortie de 24 V, comme le LPS-184

NOTICE

- LITHIUM-ION BATTERIES TYPICALLY CHARGE BEST BETWEEN 5°C to 45°C (41°F to 113°F). PLEASE REFER TO YOUR TABLET MANUFACTURER OWNER'S MANUAL FOR DETAILS.

Specifications

Power Supply Input	24V Nominal (+/-1.0V)
Dimensions (Dock Only)	10.08" (25.6 cm) H x 6.623" (16.3 cm) W x 2.1" (5.3 cm) D
Weight (Dock Only)	1.24 lbs. (0.56kg)
Operating Environment (Dock)	0° C to 35° C (32° F to 95° F)
Operating Environment (Tablet)	Please refer to your Tablet Manufacturer Owner's Manual for operating range.
Storage Environment	-40° C to 85° C (-4° F to 185° F) Havis Product Only, please refer to your Tablet Manufacturer Owner's Manual for storage range.

See product page for appropriate TC-4XX product Dimensions and Weights www.havis.com

Product Compatibility

Tablet	TC-4XX Tablet Case	PKG Number when paired with a DS-TAB-401 Docking Station and Vehicle Power Supply
Apple iPad Pro 13" (M4, M5)	TC-402	PKG-TAB4-APP1N
Apple iPad Pro 11" (M4, M5)	TC-403	PKG-TAB4-APP2N
iPad Pro 12.9" (4th - 6th Gen)	TC-404	
Samsung Tab Active4 Pro & Tab Active5 Pro (10")	TC-407	PKG-TAB4-SAM1N
Samsung Galaxy Tab S9+/S10+	TC-408	PKG-TAB4-SAM2N
Apple iPad Pro 11" (2nd - 4th Gen)	TC-409	PKG-TAB4-APP4N
iPad Air 13" (M2-M4), With Access to TouchID Function on the Power Button	TC-410	PKG-TAB4-APP3N
iPad Air 11" (4th-5th Gen, M2- M4), With Access to TouchID Function on the Power Button	TC-411	PKG-TAB4-APP6N
iPad (10th Gen) & iPad A16, With Access to TouchID Function on the Power Button	TC-412	PKG-TAB4-APP5N

Precautions

- If a malfunction occurs, immediately unplug the Power Supply and remove the tablet
- Use only the specified Power Cable with this Docking Station
- Do not connect cables into ports other than what they are specified for
- Do not leave the Docking Station in a high temperature environment (greater than 85°C, 185°F) for a long period of time
- Do not dock Tablet Case if Docking Connector Pins are bent or damaged

Parts Included (DS-TAB-401)

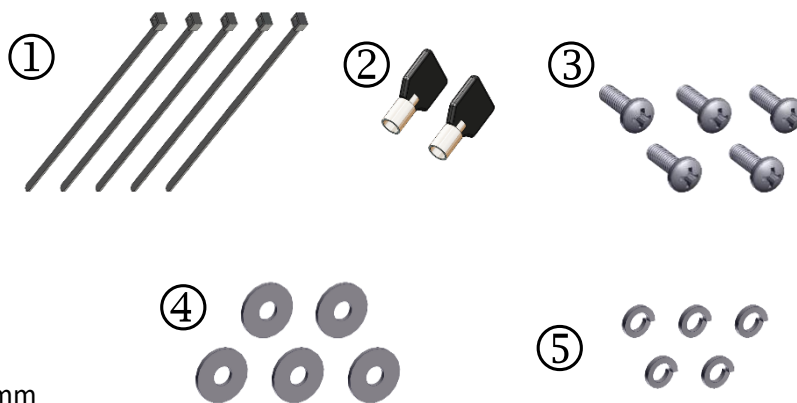


Parts Included (DS-TAB-401) (continued)

Hardware Kit (HWK-0042)

This Hardware Kit includes:

1. Zip Ties (5)
2. Keys (2)
3. M4 x 0.7 x 12mm Long Screws (5)
4. Flat Washers, M4 (5)
5. Lock Washers, M4 (5)

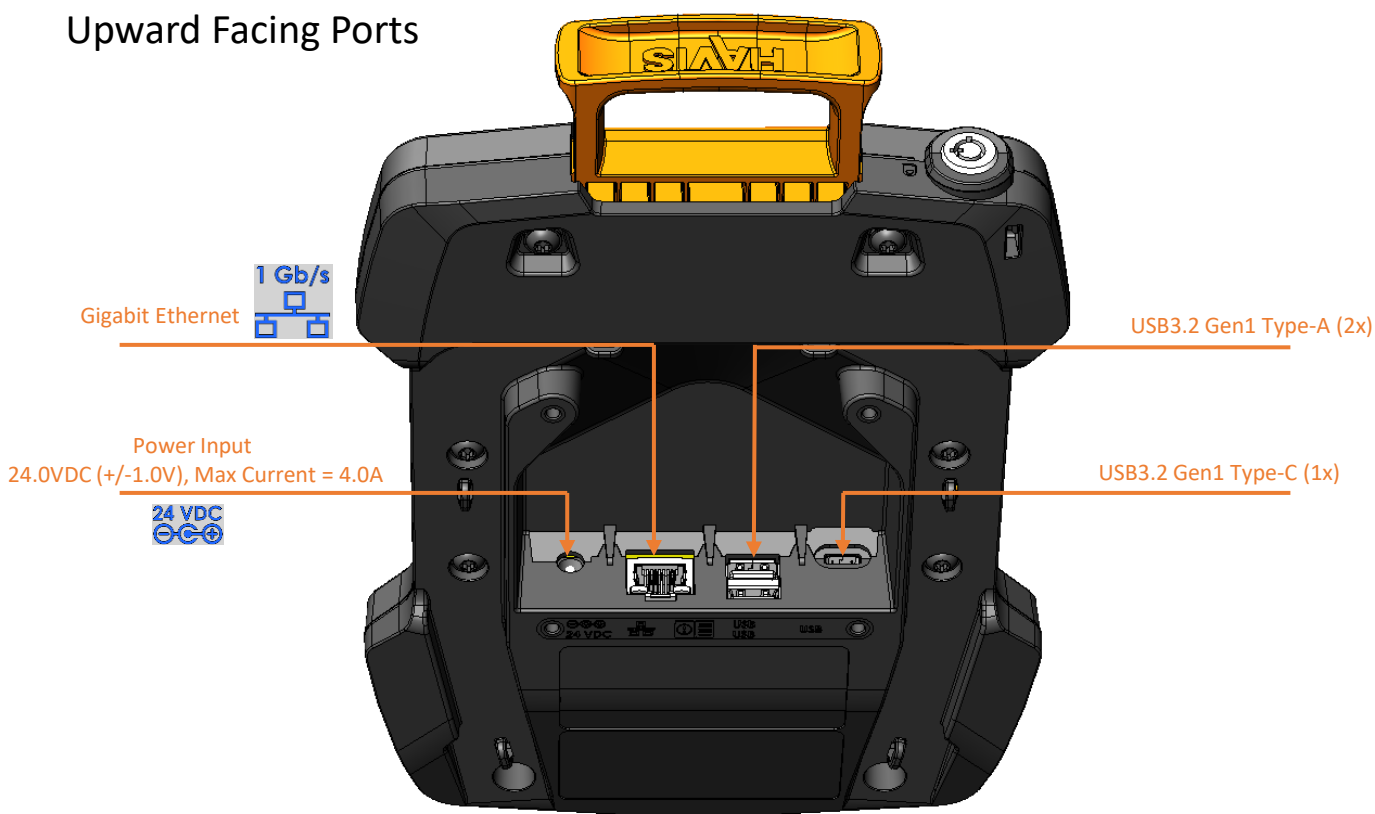


Tools required for installation:

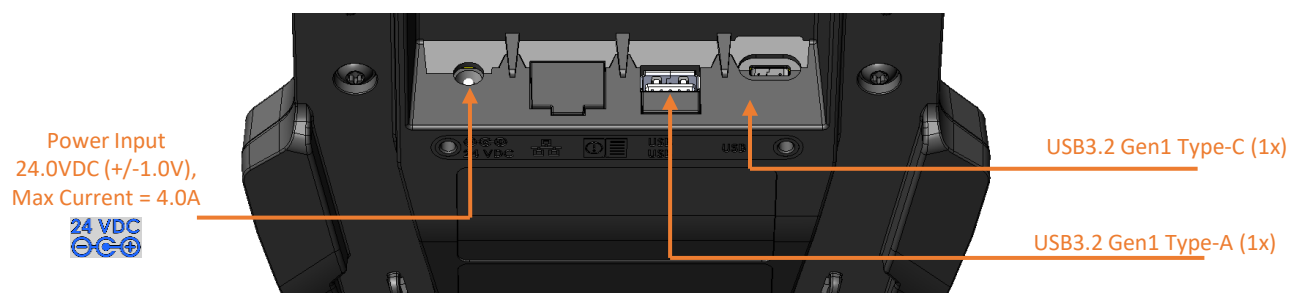
- #2 Phillips
(For attaching Docking Station to VESA 75mm hole pattern equipment with M4 x 0.7 x 12mm Screws)

Port Replication Capability (DS-TAB-401)

Upward Facing Ports



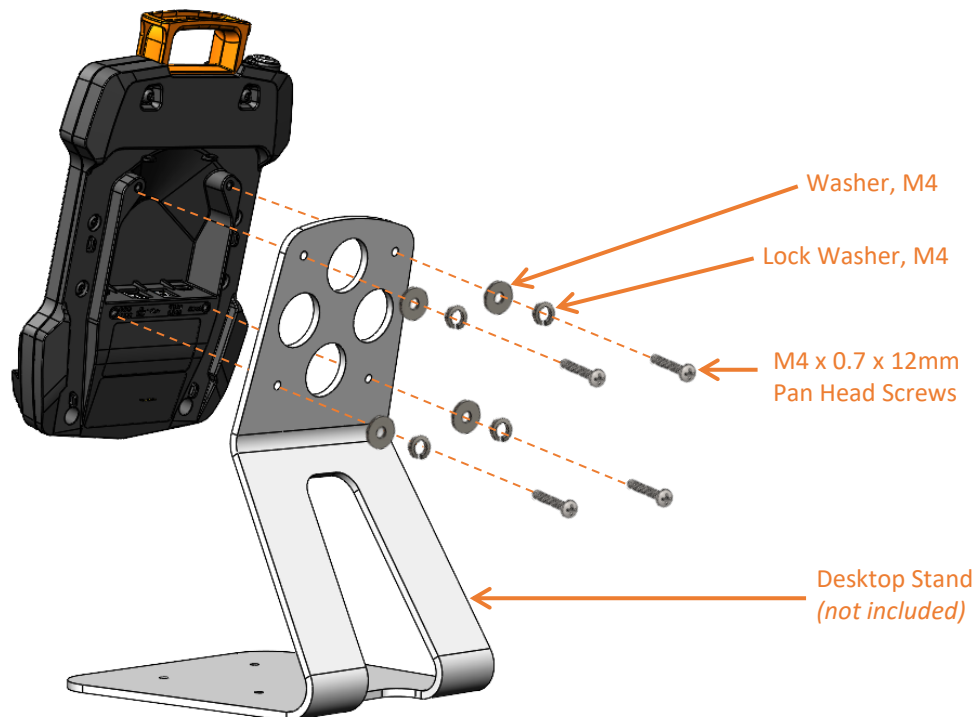
Port Replication Capability (DS-TAB-404)



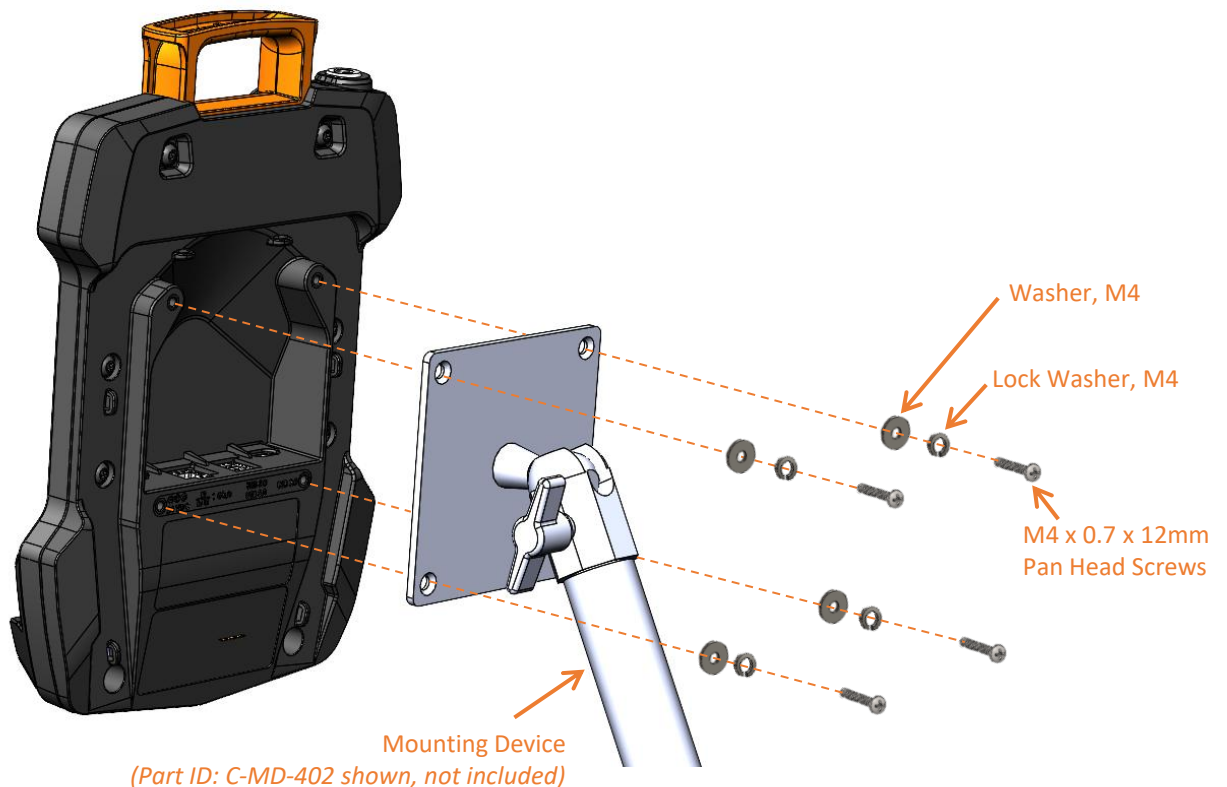
Installation (DS-TAB-401)

- 1) Align Docking Station mounting holes with the hole pattern on mounting device. Using the four (4) M4 0.7 x 12mm Pan Head Screws (Hardware Kit Item 3), four (4) Washers, M4 (Hardware Kit Item 4), and four (4) Lock Washers, M4 (Hardware Kit Item 5), secure the Docking Station to device. **Torque screws to 15 in-lbs (1.7Nm) ± 10%**

A) Havis Desktop Stand installation (sold separately, Part # DS-DA-218).

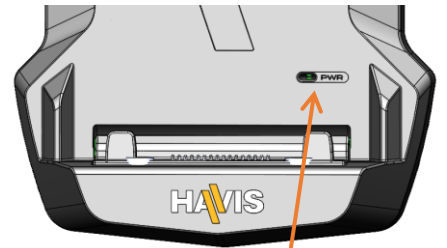
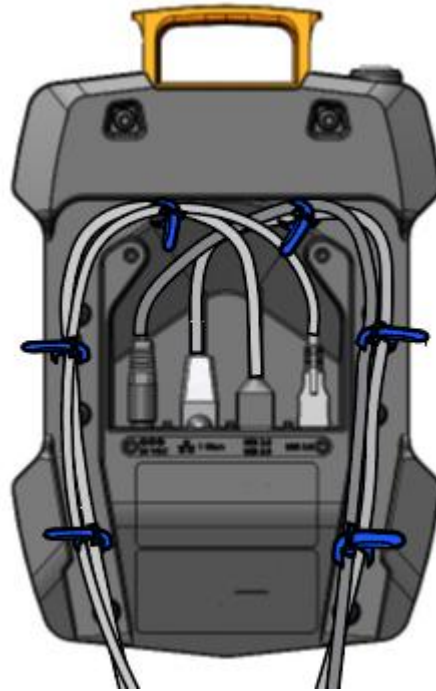
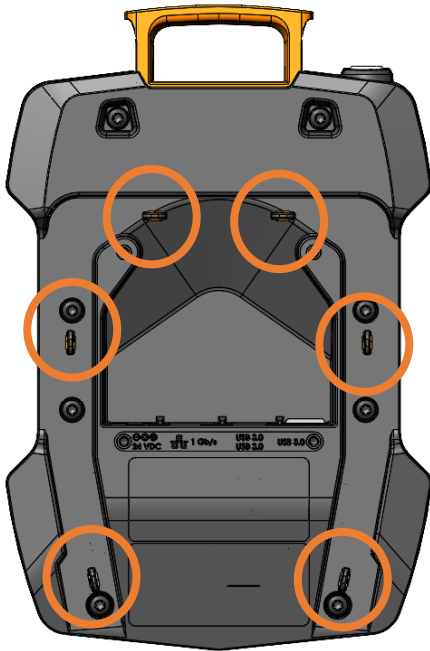


B) In-Vehicle mounting system installation (not included).



Cable Management (DS-TAB-401)

- 1) Tip the Docking Station to a position that is comfortable to work with.
- 2) Install all cables that are necessary for computing needs.
- 3) Use Zip Ties (Hardware Kit Item 1) and the Strain Relief Points to secure cables and reduce risk of accidental disconnects.



After connecting to vehicle power. This green LED will illuminate indicating that the dock has power

- 4) Create a service loop with cables to ensure that no tension is on the connectors and to enable intended motion.
- 5) Tie off cables onto a stationary part of the mounting system.



4

This loop must be large enough to allow full range of expected rotation and extension without stressing connections.

5

Collect cables to secure to the mounting system or vehicle.

(Note: mounting system not included)

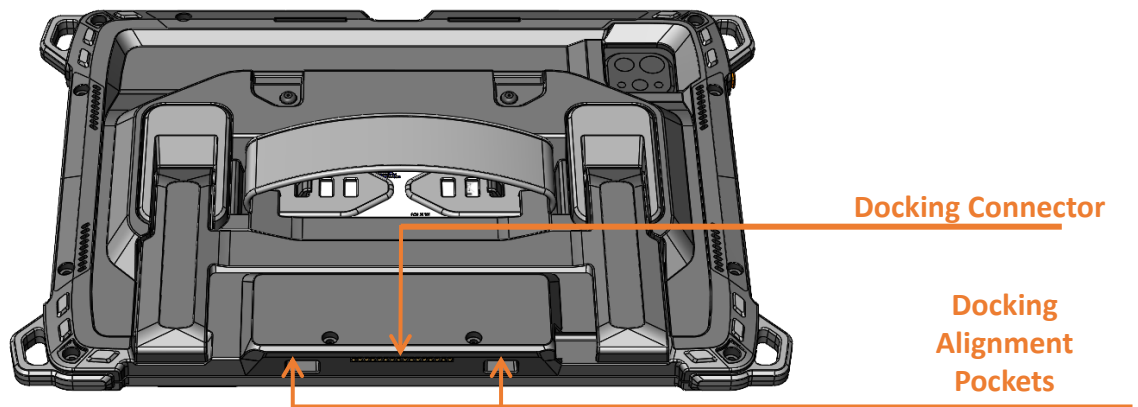
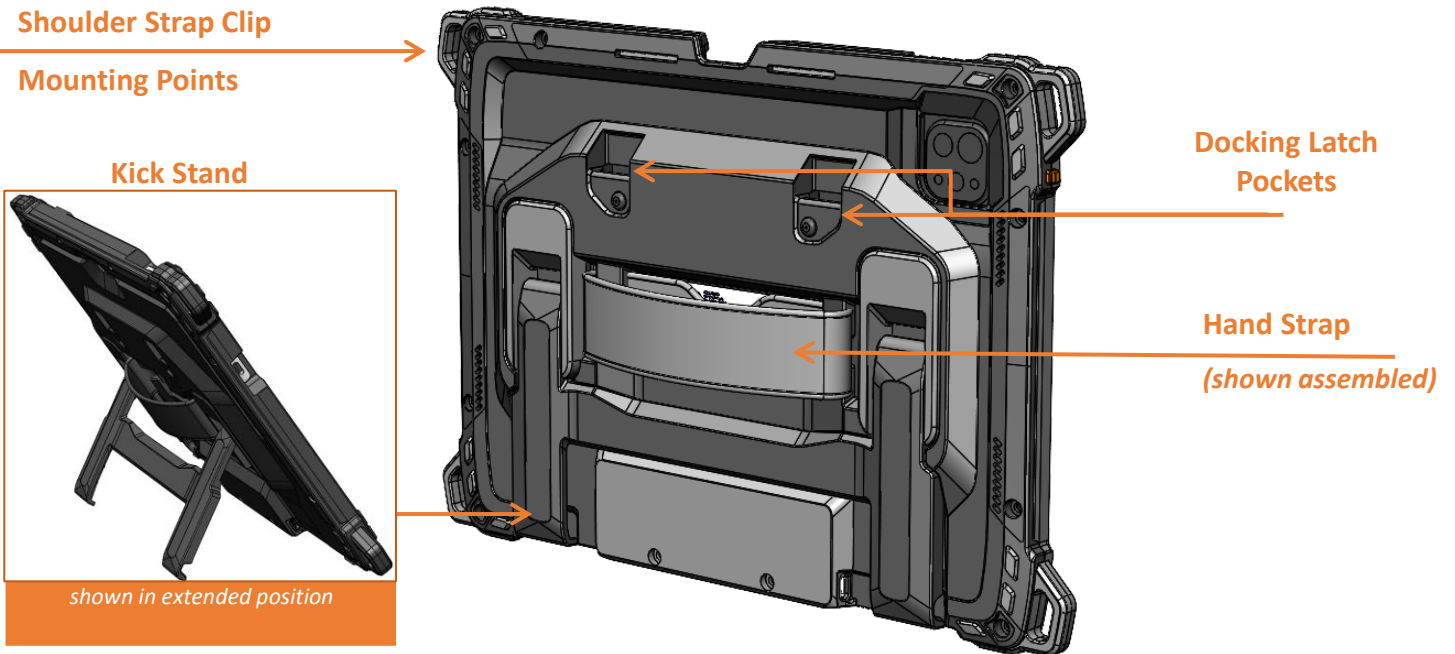
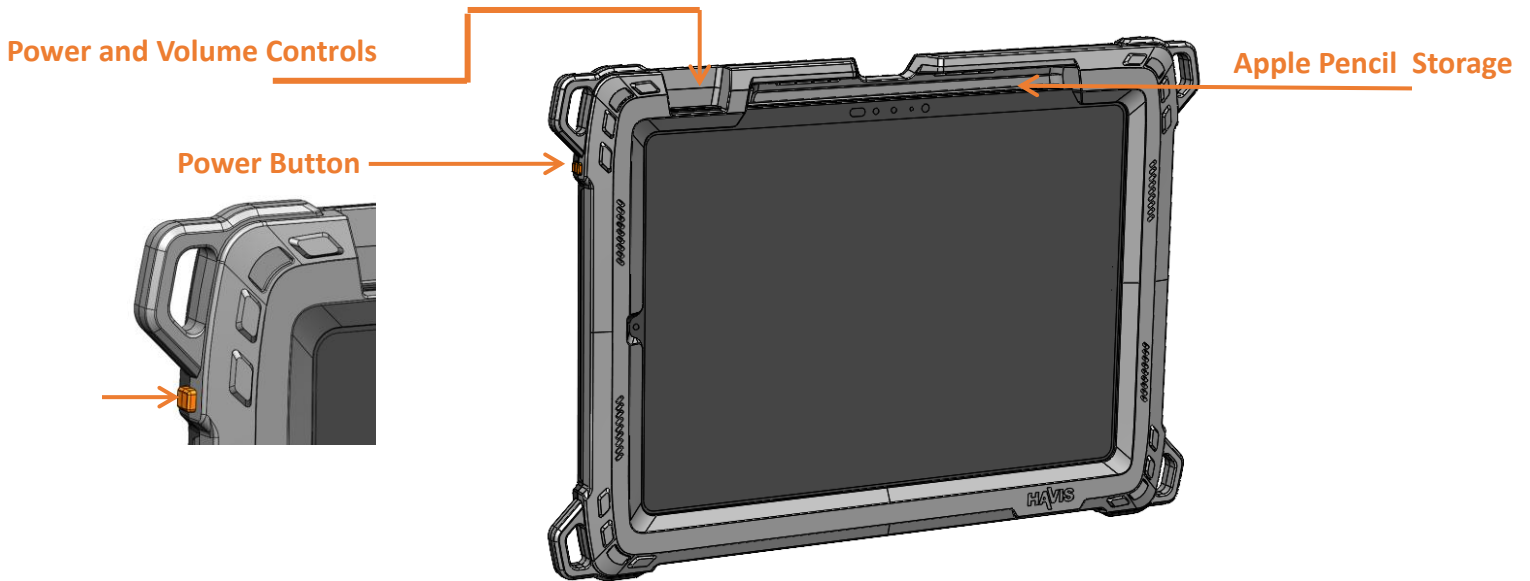
Parts Included (TC-410, 411 and 412)

Tablet Case (Part ID TC-410 shown assembled with Apple iPad Air M2)



Parts Included (TC-402, 403, 404, 405, 406 and 409)

Tablet Case (Part ID TC-403 shown assembled with iPad Pro M4)



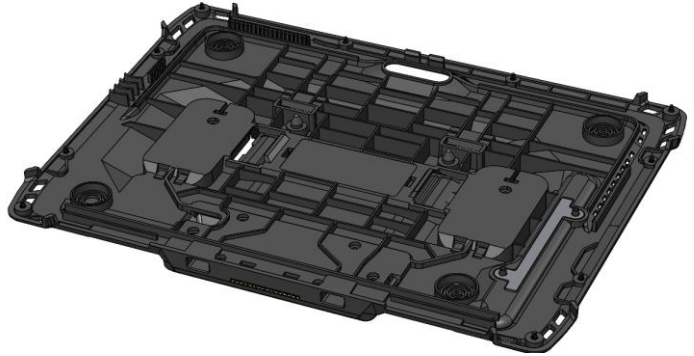
Parts Included (TC-4XX)

Tablet Case

Front Tablet Case



Back Tablet Case Assembly



Hardware Kit (HWK-0055)

This Hardware Kit includes:

1. M2.5 , 6mm long Washer Head Screws (12)
2. T8 Torx Bit, ¼" Hex Shank (1)

Tools required for installation:

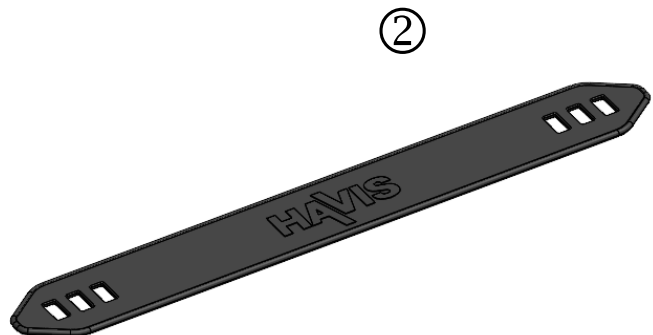
- ¼" Driver for T8 Torx Bit
(For attaching Back Piece to Front Piece with M2.5 Washer Head Screws)



Additional Items:

Depending on Tablet Case Model, Tablet Case may include:

1. Hand Strap (Qty:1)

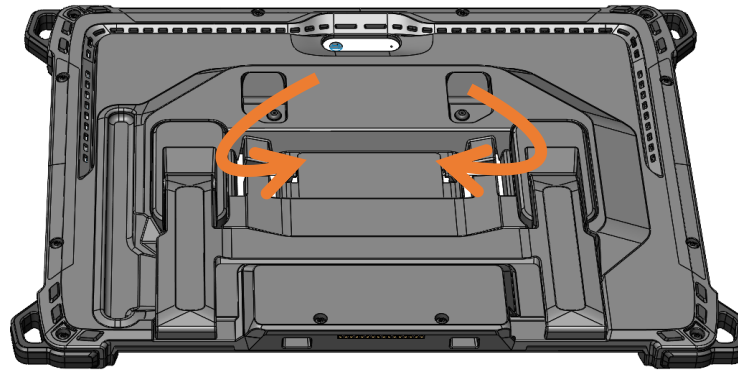


Installation (TC-4XX)

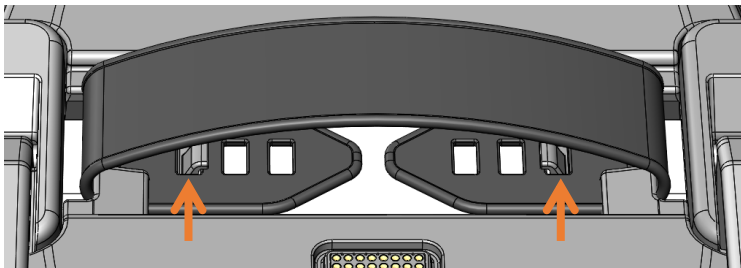
NOTICE

**IF A SCREEN PROTECTOR IS BEING USED ON TABLET (NOT INCLUDED),
ASSEMBLE BEFORE BEGINNING TABLET CASE INSTALLATION.**

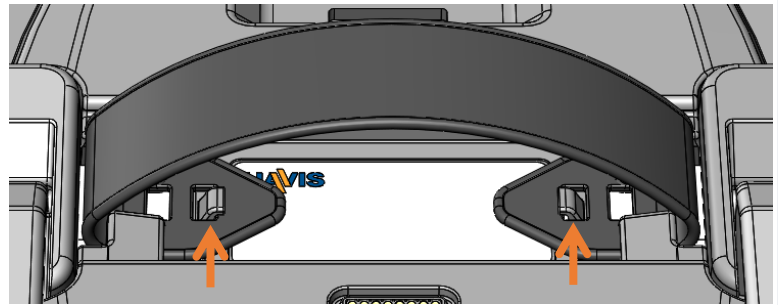
- 1) Assemble hand strap by guiding each end through the slots on the Back Assembly of Tablet Case. Adjust loop size as desired and secure on the hook featured of the rear housing.



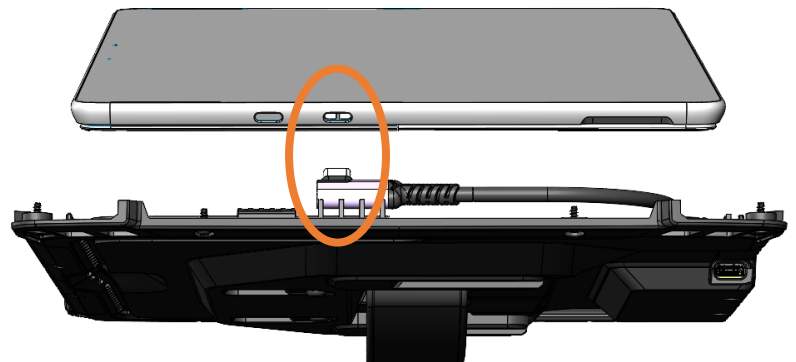
Smallest hand strap setting



Largest hand strap setting

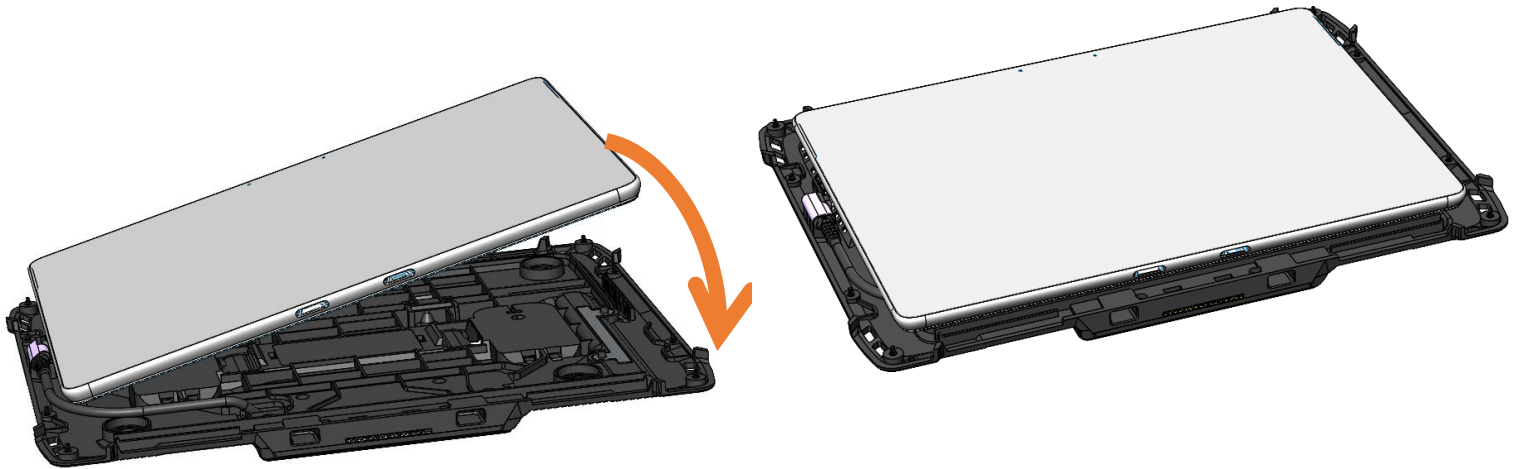


- 2) With the front cover removed. Insert the USB connector from the Back Assembly of the Tablet Case into the circled USB port of the tablet (TC-401 shown as example).

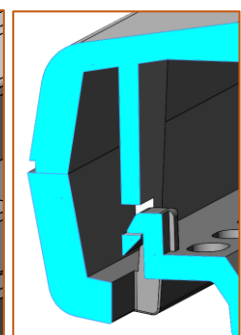
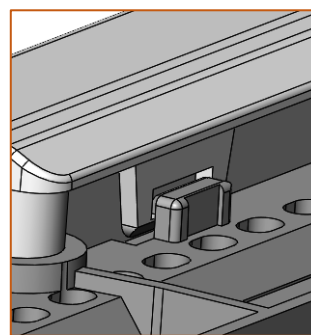
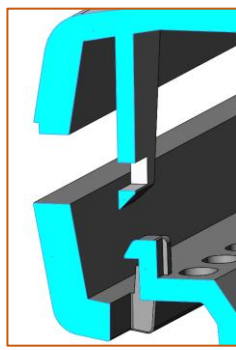
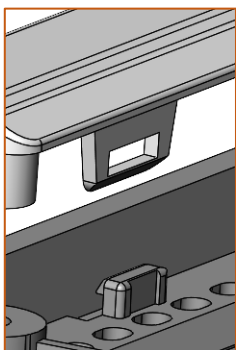


Installation (TC-401 shown as example)

3) Lower the Tablet into the rear housing. Ensuring that the connector cable is routed properly, being careful not to pinch cable.



4) Place the Front Assembly of the Tablet Case on the Back Assembly. Ensure a proper fit by looking for gaps along the seam between the two pieces. This case contains six snap fits denoted with the arrows below. Apply light pressure around the entire perimeter to ensure that all six snaps engage.



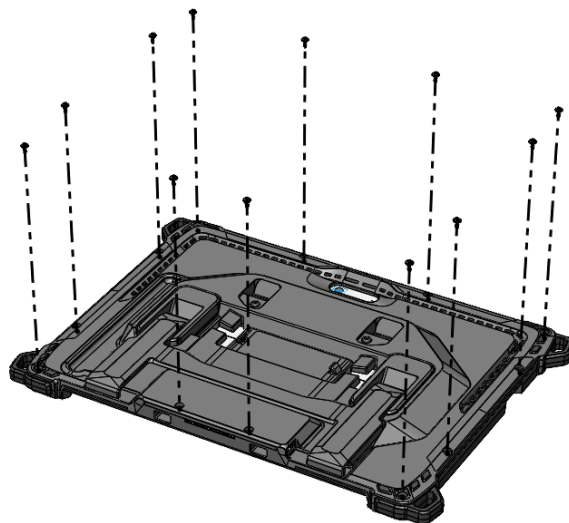
Cross section view of Front case snapping into the Back case.

Installation (TC-401 shown as example)

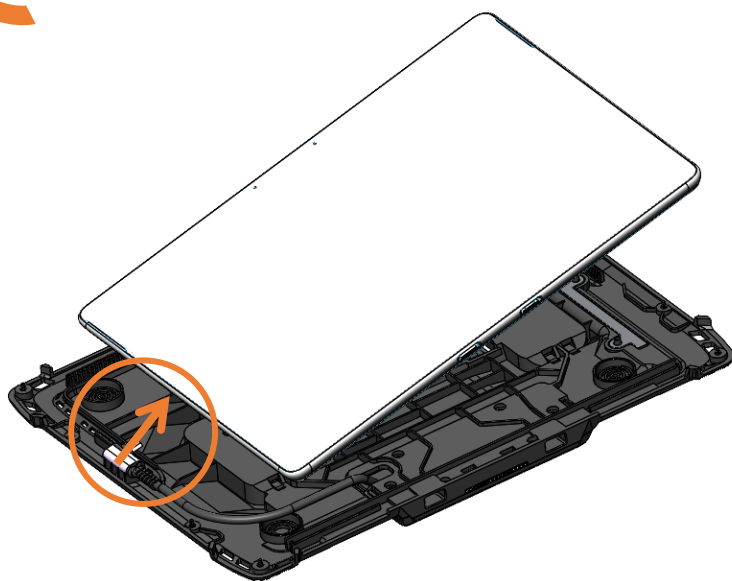
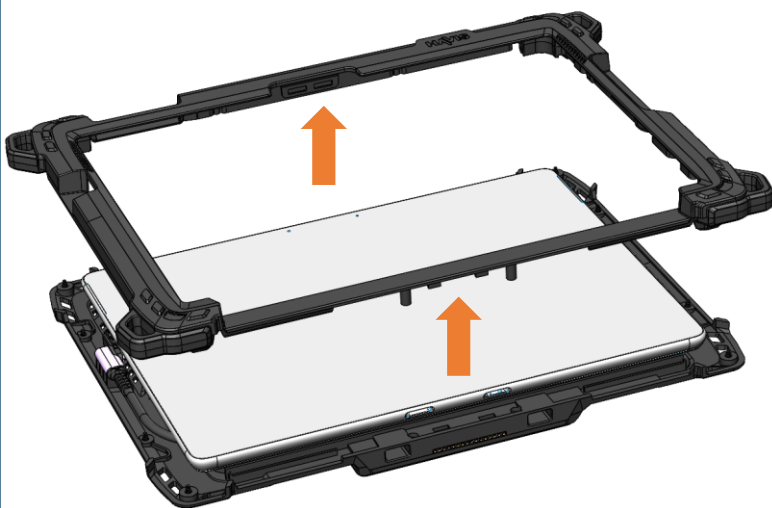
- 5) Holding the two Assemblies together, carefully turn the Tablet Case over. Insert all the necessary screws (Hardware Kit Item 1) and tighten with provided T8 Torx Bit (Hardware Kit Item 5).

Torque screws to 4 in-lbs (0.45Nm) ± 10%.

CAUTION: DO NOT OVERTIGHTEN SCREWS OR DAMAGE TO TABLET CASE MAY OCCUR.



- 6) To remove your tablet from the Tablet Case remove all the screws then carefully turn the case over. If your Tablet Case includes interlocking snaps use your fingers to pry the Front Assembly up from the inside edge along the screen. Lift the Front Assembly off the Back Assembly, unplug the connector, and remove tablet.



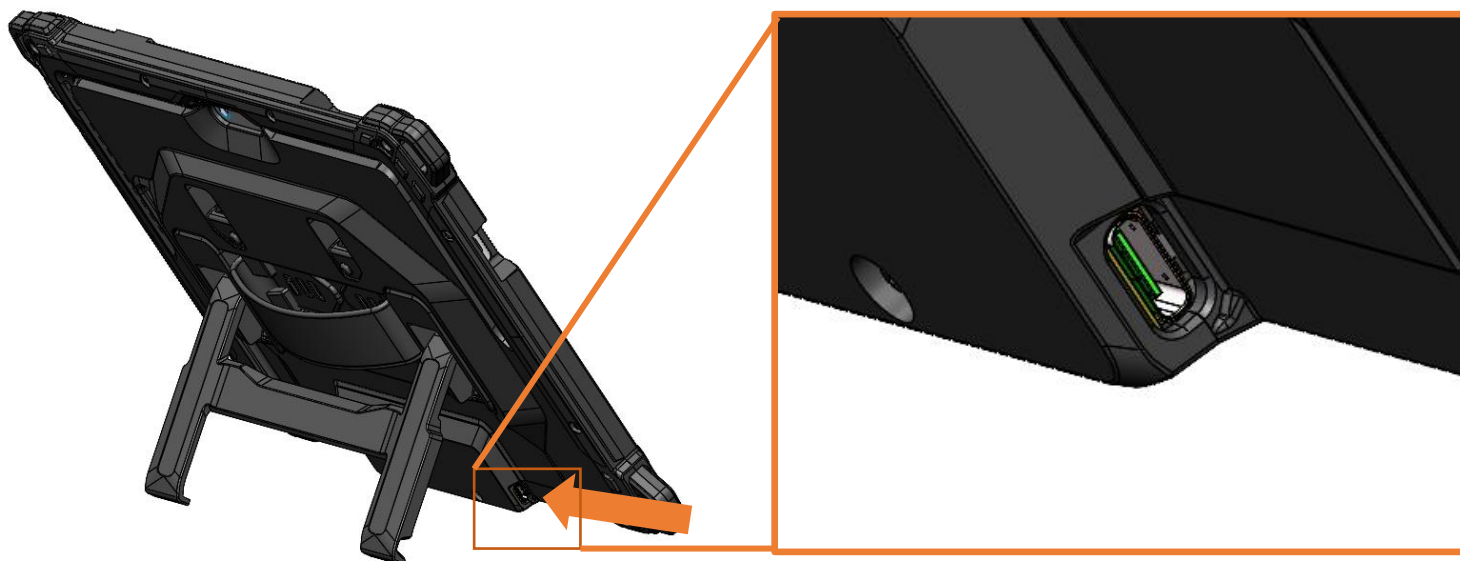
Tablet Case Features (TC-4XX)

The Kickstand on this tablet case can hold the tablet through a wide range in the landscape orientation.



Wide range of angles available in landscape orientation

With the kick stand moved access is open to a USB C Port that connects to your tablet.



Operation - Docking

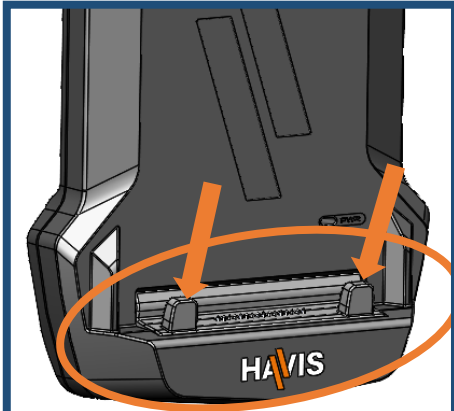
CAUTION **ATTENTION**

DO NOT FORCE TABLET CASE INTO DOCKING STATION. IF THERE IS RESISTANCE, CHECK ALIGNMENT OF TABLET CASE ON DOCKING STATION.

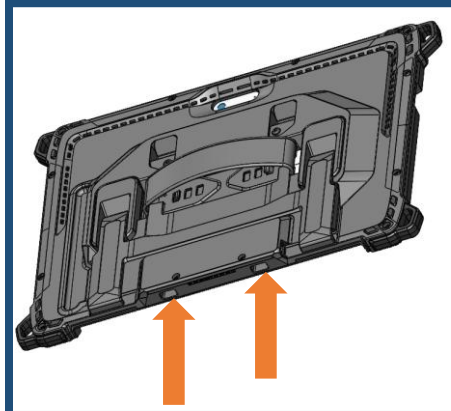
NE FORCEZ PAS L'ÉTUI DE LA TABLETTE DANS LA STATION D'ACCUEIL. S'IL Y A UNE RÉSISTANCE,

VÉRIFIEZ L'ALIGNEMENT DE L'ÉTUI DE LA TABLETTE SUR LA STATION D'ACCUEIL.

NOTE: Ensure a proper connection by aligning the Tablet Case's Alignment Pockets with the Docking Station's Front Hooks

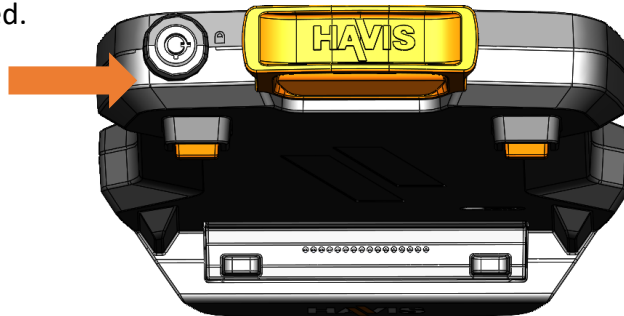


Front Hooks on the DS-TAB-200 Series Docking Station

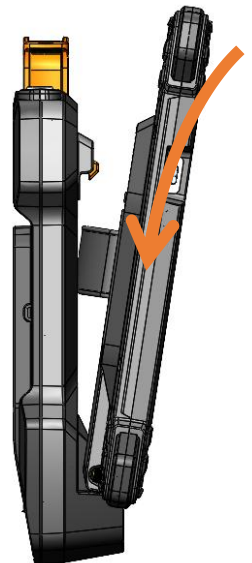
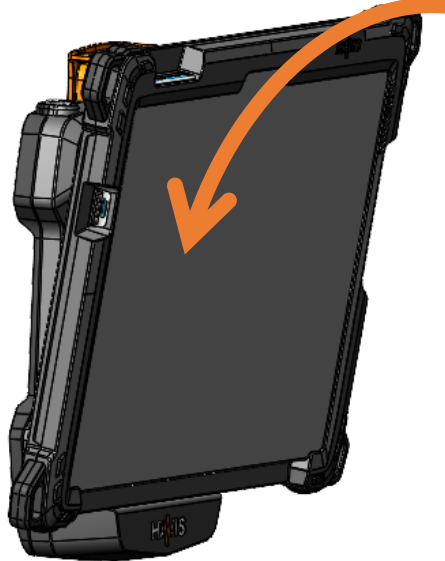
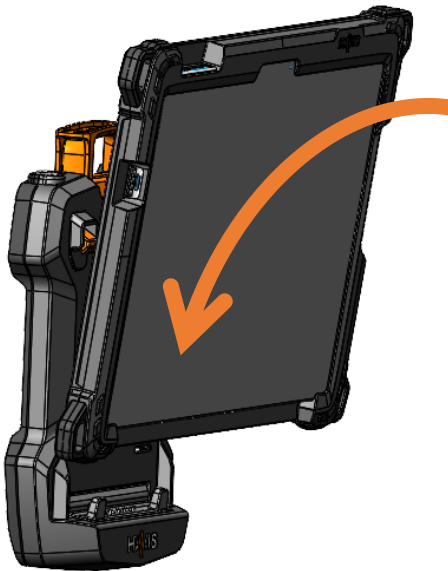


Alignment Pockets on the bottom piece of the TC-4XX Series Tablet Case

- 1) Ensure the Docking Station is unlocked.

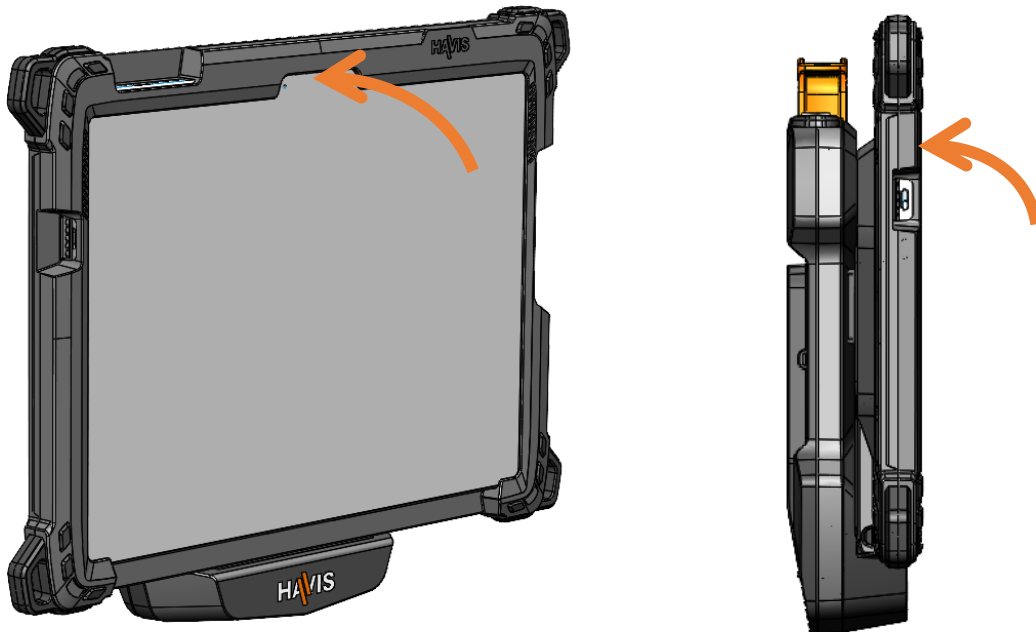


- 2) Hold Tablet in landscape orientation, with bottom angled toward Docking Station. Lower Tablet onto the Docking Station so the Alignment Pockets on the Tablet Case align with the Front Hooks on the Docking Station.

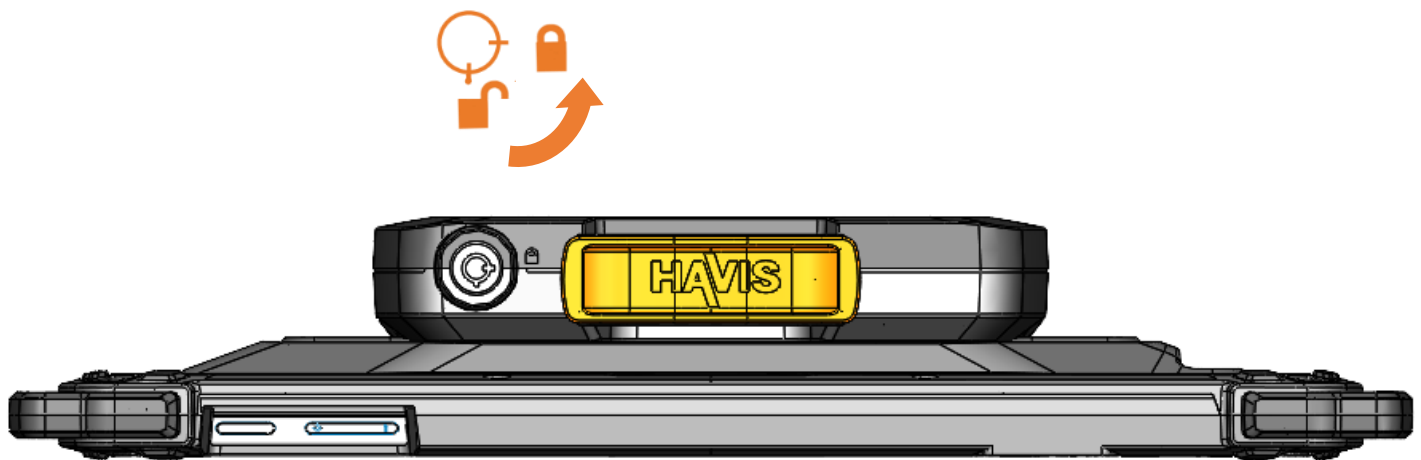


Operation – Docking (continued)

- 3) Pivot Tablet Case into the Docking Station until the Docking Station's Latch Hook engages with the Latch Hook Recess on the Tablet Case. A click will be heard when docked correctly.

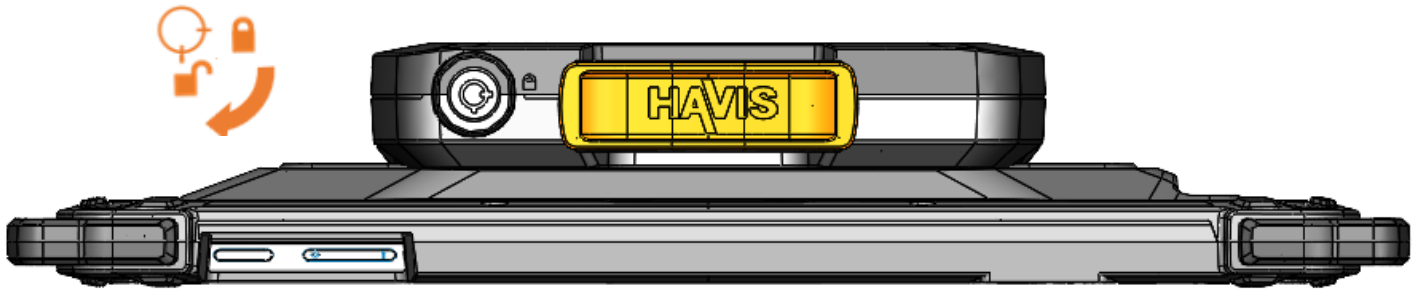


- 4) For theft deterrence, secure Tablet Case by locking Docking Station with supplied key (Hardware Kit Item 2).

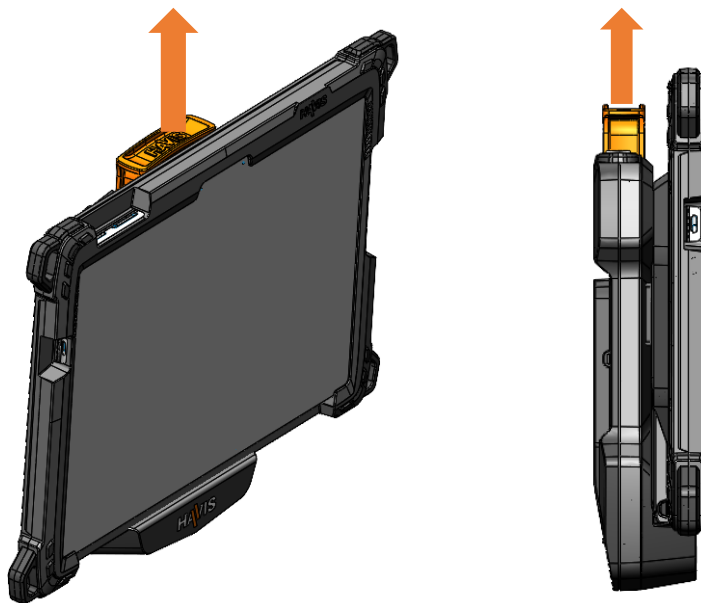


Operation - Undocking

1) If previously locked, unlock Docking Station using the supplied key.



2) While holding Tablet Case with one hand, lift the Release Handle on the top of Docking Station.



3) While lifting the Release Handle grab the side of Tablet Case, rock the top forward and carefully lift out of Docking Station, top end first.



Regulatory Information

Canada

CAN ICES-3 (A) / NMB-3 (A)

Class A equipment

This Class A digital apparatus meets all requirements of the Canadian Interference-Causing Equipment Regulations.

Warning: Operation of this equipment in a residential environment could cause radio interference.

Équipement de Classe A

Cet appareil numérique de la Classe A respecte toutes les exigences du Règlement sur le matériel brouilleur du Canada.

Avvertissement: L'utilisation de cet équipement dans un environnement résidentiel peut provoquer des interférences radio.

United States of America

FCC Compliance

This device complies with part 15 of the FCC Rules. Operation is subject to the following two conditions: (1) This device may not cause harmful interference, and (2) this device must accept any interference received, including interference that may cause undesired operation.

Note: This equipment has been tested and found to comply with the limits for a Class A digital device, pursuant to part 15 of the FCC Rules. These limits are designed to provide reasonable protection against harmful interference when the equipment is operated in a commercial environment. This equipment generates, uses, and can radiate radio frequency energy and, if not installed and used in accordance with the instruction manual, may cause harmful interference to radio communications. Operation of this equipment in a residential area is likely to cause harmful interference in which case the user will be required to correct the interference at his own expense.

Changes or modifications not expressly approved by the party responsible for compliance could void the user's authority to operate the equipment.

Responsible party (contact for FCC matters only):

Havis, Inc.

75 Jacksonville Road

Warminster, PA 18974

havis.com/contact-us

Warning: Operation of this equipment in a residential environment could cause radio interference.

Regulatory Information *(continued)*

European Union

Waste Electrical and Electronic Equipment (WEEE)

Electrical and electronic equipment (EEE) contain materials, components and substances that can be hazardous and harmful to human health and the environment when WEEE is not disposed of properly.

Products marked with the "crossed-out wheeled bin" symbol are EEE. The crossed-out wheeled bin symbolizes that WEEE must not be disposed of together with unsorted household waste, but must be collected separately.

For this purpose, all municipalities have established collection schemes where WEEE can be handed in, free of charge, by citizens at recycling stations or other collection points or collected directly from households. Further information should be obtained from the municipality's technical administration.



This symbol on the product or on its packaging indicates that the product must not be disposed of with normal household waste. Instead, it is your responsibility to dispose of your waste equipment by arranging to return it to a designated collection point for the recycling of WEEE. By separating and recycling your waste equipment at the time of disposal, you will help to conserve natural resources and ensure that the equipment is recycled in a manner that protects human health and the environment. This product is EEE and shall not be placed in the municipal waste after end of its life. This device should be handled properly and handed over to appropriate collection places or to authorized companies.

Conformité Européene (CE) Mark



The CE marking on a Havis product indicates conformity to the provisions of applicable European Union (EU) directives. The EU Declaration of Conformity (DoC) is the manufacturer's declaration that the product complies with those directives.

EU Authorized Representative:

Alura Group B.V.
Kroonwiel 2
6003 BT Weert
Netherlands

Warning: Operation of this equipment in a residential environment could cause radio interference.

United Kingdom

United Kingdom Conformity Assessed (UKCA) Mark



The UKCA marking on a Havis product indicates conformity to the provisions of applicable European Union (EU) directives and United Kingdom (UK) legislations. The UK Declaration of Conformity (DoC) is the manufacturer's declaration that the product complies with those directives and legislations.

UK Authorized Representative:

Tailwind Solutions Limited
Unit 2a Castle Business Centre, Queensferry Road, Pitreavie Business Park
Dunfermline Fife, KY11 8NT
Scotland, United Kingdom

Warning: Operation of this equipment in a residential environment could cause radio interference.

Related Products

Havis offers a wide variety of accessory products specifically for use with your Docking Station and Protective Case.

For more information or to order, please visit www.havis.com.



C-MD-401/402 and PKG-FAM-118

Universal Rugged Articulating Phone & Tablet Mounts

Light weight mounts are an ideal mobile solution for tablet, phone, or keyboard



DS-DA-218

Desktop Stand for Tablet Docking Stations

Durable stand for mounting tablet Docking Stations for use in the home or office.



DS-DA-117 Tablet Case Shoulder Strap

Mount this Shoulder Strap to the top of the Tablet Case for easy carrying for the Microsoft and Samsung Cases.



DS-DA-502

Replacement Keys

Set of two (2) replacement keys for DS-TAB-400 Series Docking Stations.



120N-D01-S04-1

DC Power Supply

24 Volt power supply for in vehicle applications



LPS-183

AC Power Supply

24 Volt power supply for in office applications

