

Owner's Manual Havis Docking Station For Panasonic TOUGHBOOK 55 and 56

DS-PAN-440 Series

This Owner's Manual applies to the following Part Numbers:

DS-PAN-441
DS-PAN-441-2
DS-PAN-442N
DS-PAN-442N-2

DS-PAN-443
DS-PAN-444
DS-PAN-444-2
DS-PAN-445N

DS-PAN-445N-2
DS-PAN-446



DS-PAN-440-SERIES_OMN_03-26

Before Beginning

Havis is pleased to provide this Owner's Manual to aid in the proper installation and use of the DS-PAN-440 Series Docking Station for the Panasonic TOUGHBOOK 55 and 56.

For questions regarding the set-up of your DS-PAN-440 Series Docking Station, please contact Havis at 1-800-524-9900 or visit www.havis.com for additional product support and information.

WARNING

- NEVER STOW OR MOUNT THE DOCKING STATION DIRECTLY IN A VEHICLE AIRBAG DEPLOYMENT ZONE.
- DO NOT USE COMPUTER WHILE DRIVING.
- DO NOT PLACE METAL OBJECTS OR CONTAINERS OF LIQUID ON TOP OF THE DOCKING STATION.
- IF A MALFUNCTION OCCURS, IMMEDIATELY UNPLUG THE POWER SUPPLY AND REMOVE THE LAPTOP.

CAUTION

- READ ALL INSTRUCTIONS THOROUGHLY BEFORE BEGINNING INSTALLATION.
- THIS PRODUCT IS NOT CLASSIFIED WITH AN IP (INGRESS PROTECTION) RATING. DO NOT STORE, INSTALL, OR OPERATE THE DOCKING STATION WHERE WATER, MOISTURE, STEAM, DUST, ETC. ARE PRESENT.
- DO NOT DOCK OR UNDOCK YOUR COMPUTER UNLESS IT IS POWERED OFF. DOCKING OR UNDOCKING WITH YOUR COMPUTER IN ON, STANDBY, HIBERNATION, OR SLEEP MODES CAN CAUSE PERMANENT DAMAGE.
- FOR THE DS-PAN-441, DS-PAN-441-2, & DS-PAN-444, DS-PAN-444-2 DOCKING STATIONS: DO NOT CONNECT DIRECTLY TO VEHICLE VOLTAGE SOURCE: THIS PRODUCT REQUIRES A CERTIFIED, AUTOMOTIVE GRADE, PANASONIC APPROVED 120W POWER SOURCE RATED FOR A CONTINUOUS, REGULATED 15.0 VDC OUTPUT (*HAVIS PART NUMBER 120N-B01-R03-1 OR 120N-B01-S03-1 OR EQUIVALENT*). FAILURE TO COMPLY WITH THIS REQUIREMENT WILL CAUSE PRODUCT DAMAGE THAT IS NOT REPAIRABLE AND IS NOT COVERED UNDER WARRANTY.
- FOR THE DS-PAN-443 DOCKING STATIONS (CRADLES): DO NOT CONNECT DIRECTLY TO VEHICLE VOLTAGE SOURCE: THE PANASONIC TOUGHBOOK 55 & 56 REQUIRES A CERTIFIED, PANASONIC APPROVED POWER SOURCE (*HAVIS PART NUMBER 120N-B01-R03-1*) RATED FOR A CONTINUOUS, REGULATED 15.0 VDC OUTPUT. FAILURE TO COMPLY WITH THIS REQUIREMENT WILL CAUSE PRODUCT DAMAGE THAT IS NOT REPAIRABLE AND IS NOT COVERED UNDER WARRANTY.
- THE DS-PAN-400 SERIES DOCKING STATION IS ONLY COMPATIBLE WITH THE PANASONIC TOUGHBOOK 55 & 56.
- USE ONLY THE SPECIFIED POWER SUPPLY (PART # 120N-B01-R03-1 OR 120N-B01-S03-1) WITH THIS DOCKING STATION.
- DO NOT CONNECT CABLES INTO PORTS OTHER THAN WHAT THEY ARE SPECIFIED FOR.
- DO NOT LEAVE THE DOCKING STATION IN A HIGH TEMPERATURE ENVIRONMENT (GREATER THAN 85°C, 185°F).

Avant de commencer

Havis est ravi de fournir ce manuel du propriétaire pour faciliter l'installation et à assurer une utilisation adéquate de la station d'accueil de série DS-PAN-440 pour le Panasonic TOUGHBOOK 55 & 56.

Pour toute question concernant la configuration de votre station d'accueil de série DS-PAN-440, veuillez communiquer avec Havis au 1-800-524-9900 ou visitez le www.havis.com pour obtenir de l'aide et des informations supplémentaires sur le produit.

AVERTISSEMENT

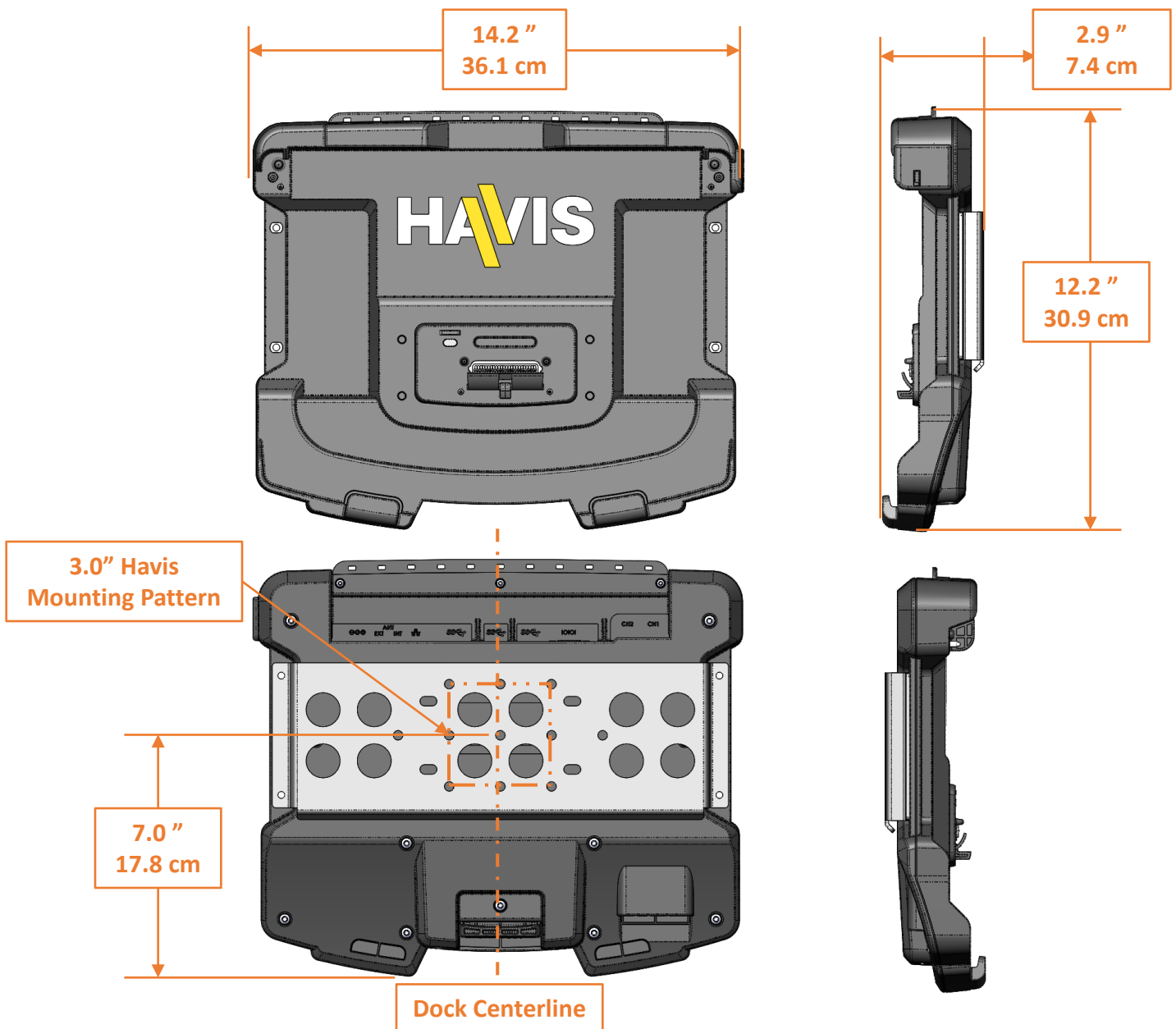
- NE JAMAIS RANGER OU MONTER LA STATION D'ACCUEIL DIRECTEMENT DANS LA ZONE DE DÉPLOIEMENT D'UN COUSSIN GONFLABLE DU VÉHICULE.
- NE PAS UTILISER L'ORDINATEUR EN CONDUISANT.
- NE PAS PLACER D'OBJETS MÉTALLIQUES OU DE RÉCIPIENTS CONTENANT DU LIQUIDE SUR LA STATION D'ACCUEIL.
- EN CAS DE DYSFONCTIONNEMENT, DÉBRANCHEZ IMMÉDIATEMENT L'ALIMENTATION ÉLECTRIQUE ET RETIREZ L'ORDINATEUR PORTABLE.

ATTENTION

- LISEZ ATTENTIVEMENT TOUTES LES INSTRUCTIONS AVANT DE COMMENCER L'INSTALLATION.
- CE PRODUIT N'EST PAS DOTÉ D'UN INDICE DE PROTECTION IP (PROTECTION CONTRE LES INFILTRATIONS). NE PAS ENTREPOSER, NE PAS INSTALLER ET NE PAS UTILISER LA STATION D'ACCUEIL DANS UN ENDROIT OÙ DE L'EAU, DE L'HUMIDITÉ, DE LA VAPEUR, DE LA POUSSIÈRE, ETC. SONT PRÉSENTS.
- NE PAS ENTREPOSER, INSTALLER OU UTILISER LA STATION D'ACCUEIL DANS UN ENDROIT OÙ L'EAU, L'HUMIDITÉ, LA VAPEUR, LA POUSSIÈRE, ETC. SONT PRÉSENTS.
- NE PAS PLACER OU RETIRER L'ORDINATEUR DE LA STATION D'ACCUEIL S'IL N'EST PAS ÉTEINT. PLACER OU RETIRER L'ORDINATEUR EN MODE MARCHÉ, ATTENTE, VEILLE OU VEILLE PROLONGÉE PEUT PROVOQUER DES DOMMAGES PERMANENTS.
- POUR LES STATIONS D'ACCUEIL DS-PAN-441, DS-PAN-441-2, & DS-PAN-444, DS-PAN-444-2: NE PAS CONNECTER DIRECTEMENT À LA SOURCE DE TENSION DU VÉHICULE: CE PRODUIT NÉCESSITE UNE SOURCE D'ALIMENTATION NOMINALE 120W DE QUALITÉ AUTOMOBILE, APPROUVÉE PAR PANASONIC, CONÇUE POUR UNE SORTIE CONTINUE ET RÉGULÉE 15.0 VDC (NUMÉRO DE PIÈCE HAVIS 120N-B01-R03-1 OU 120N-B01-S03-1 OU ÉQUIVALENT). LE NON-RESPECT DE CETTE EXIGENCE ENTRAÎNERA DES DOMMAGES AU PRODUIT QUI NE SONT PAS RÉPARABLES ET NE SONT PAS COUVERTS PAR LA GARANTIE.
- POUR LES STATIONS D'ACCUEIL (SUPPORT) DS-PAN-443: NE PAS CONNECTER DIRECTEMENT À LA SOURCE DE TENSION DU VÉHICULE: LA MARQUE ET LE MODÈLE DE L'ORDINATEUR INSÉRÉ NÉCESSITENT UNE SOURCE D'ALIMENTATION CERTIFIÉE, APPROUVÉE PAR PANASONIC (NUMÉRO DE PIÈCE HAVIS 120N-B01-R03-1), CONÇUE POUR UNE SORTIE CONTINUE ET RÉGULÉE 15.6 VDC LE NON-RESPECT DE CETTE EXIGENCE ENTRAÎNERA DES DOMMAGES AU PRODUIT QUI NE SONT PAS RÉPARABLES ET NE SONT PAS COUVERTS PAR LA GARANTIE.
- LA STATION D'ACCUEIL DE SÉRIE DS-PAN-440 EST UNIQUEMENT COMPATIBLE AVEC PANASONIC TOUGHBOOK 55 &.
- UTILISER UNIQUEMENT LE BLOC D'ALIMENTATION SPÉCIFIÉ (PIÈCE # 120N-B01-R03-1 OU 120N-B01-S03-1) AVEC CETTE STATION D'ACCUEIL.
- NE PAS BRANCHER DE CÂBLES DANS D'AUTRES PORTS QUE CEUX AUXQUELS ILS SONT DESTINÉS.
- NE LAISSER PAS LA STATION D'ACCUEIL DANS UN ENVIRONNEMENT À HAUTE TEMPÉRATURE (PLUS DE 85°C, 185°F) POUR UNE PÉRIODE PROLONGÉE.

Specifications

Configuration (SKU)	Description	Power Options	Dock Input Voltage Requirement	Weight : Lbs. (kg)
DS-PAN-441 DS-PAN-441-2 DS-PAN-444 DS-PAN-444-2	Advanced Electronics Advanced Electronics with Antenna Pass-Thru Standard Electronics Standard Electronics with Antenna Pass-Thru	External Power Supply	15.0 VDC	3.48 (1.58)
DS-PAN-443	Cradle, No Electronics	None	None	3.1 (1.41)
Dimensions	2.9" (7.4 cm) H x 14.2" (36.1 cm) W x 12.2" (30.9cm) D			
Operating Environment	-10° C to 50° C (14° F to 122° F)			
Storage Environment	-40° C to 85° C (-40° F to 185° F)			

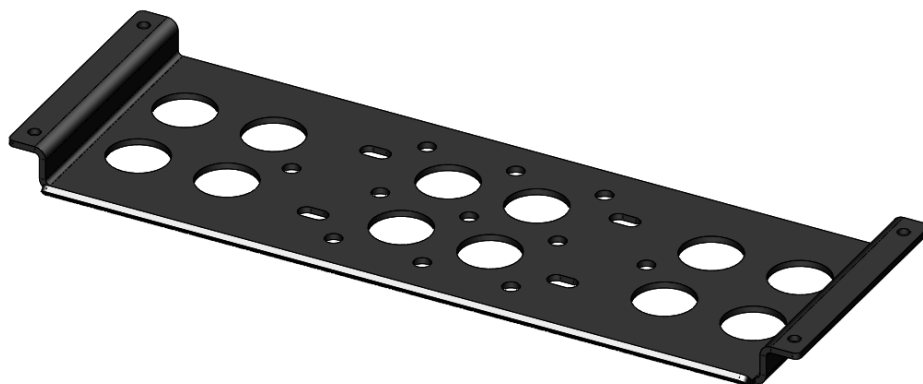


Parts Included

Docking Station



Mounting Bracket (No. 43792)



Parts Included (continued)

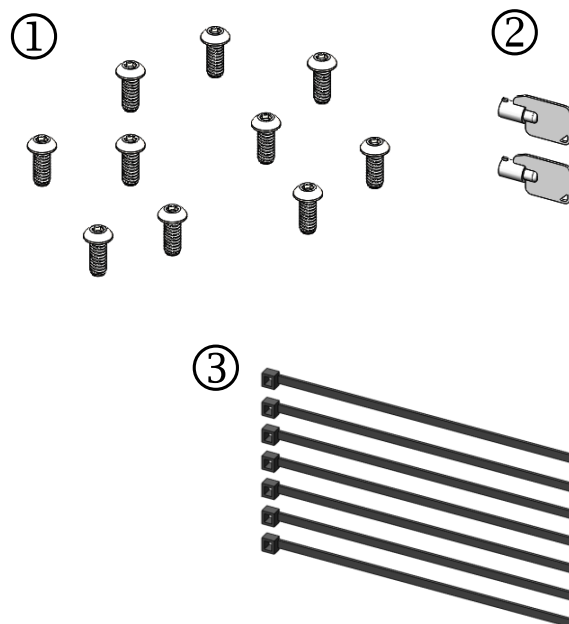
Hardware Kit (No. 55443)

This Hardware Kit includes:

1. 1/4" - 20 x 5/8" Button Head Screws (QTY 10)
2. Keys (QTY 2)
3. Zip Ties (QTY 7)

Tools required for installation:

- 5/32" Hex Drive
(For attaching Mounting Bracket to Motion Device with 1/4"-20 x 5/8" Button Head Screws)



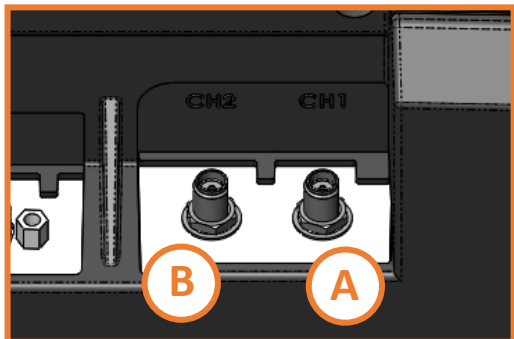
Antenna Identification

DS-PAN-441-2, DS-PAN-444-2

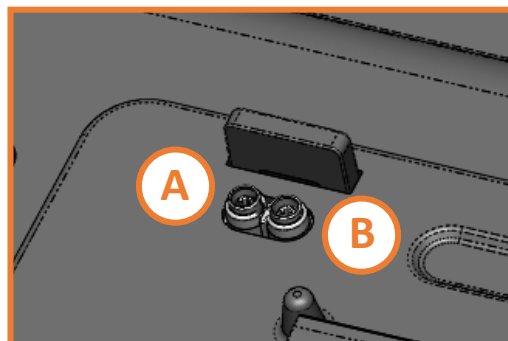
A – Ch1

B – Ch2

Antenna Connectors (SMA)

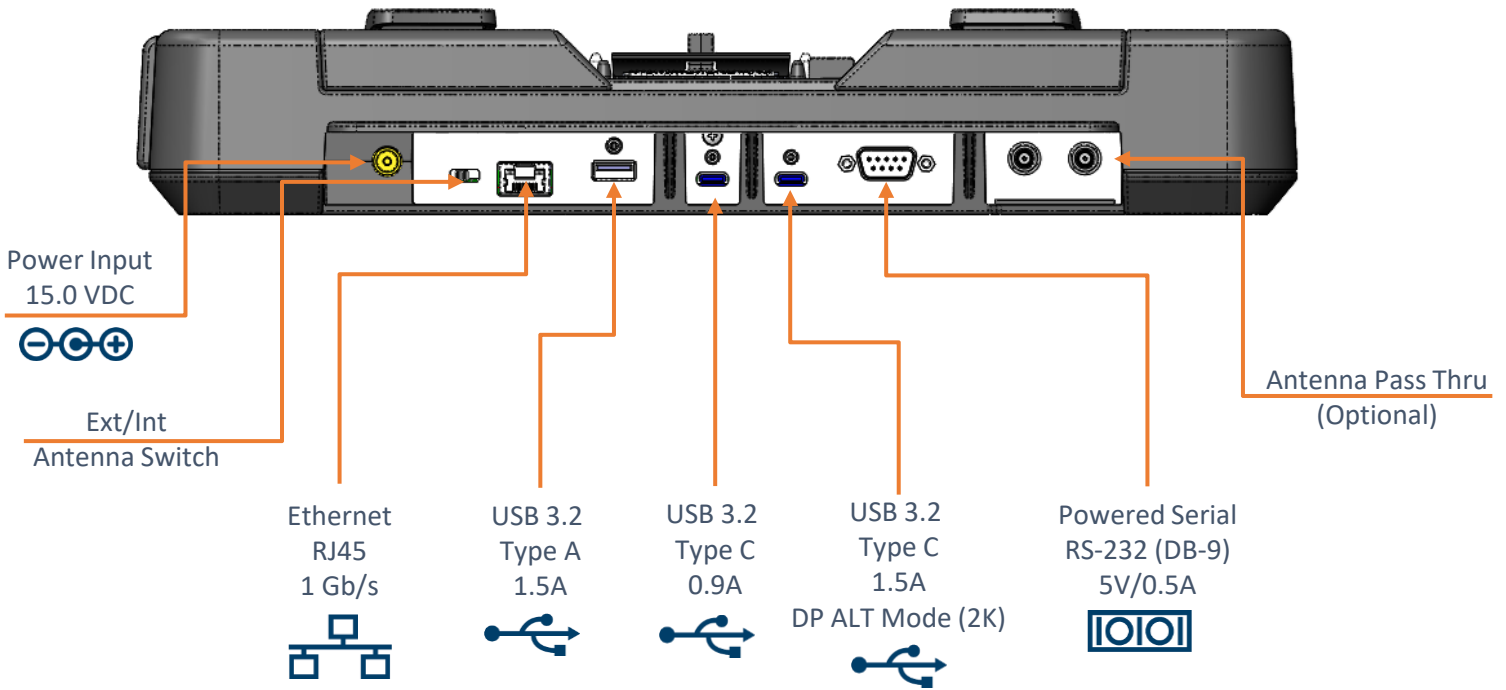


Laptop/Tablet Interface

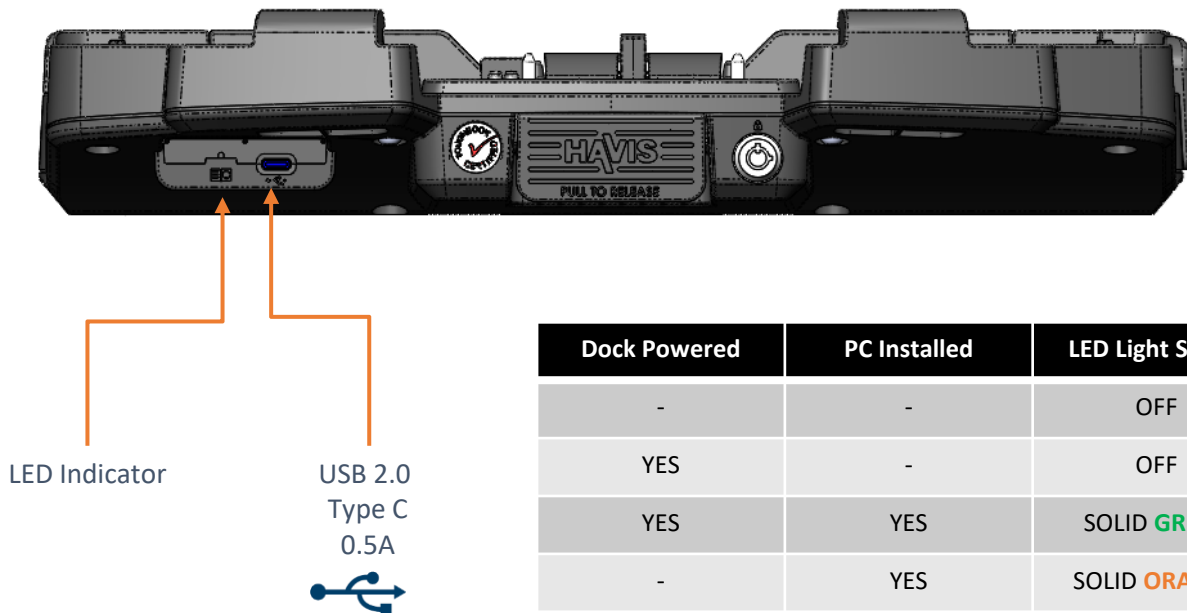


Port Replication Capability (Advanced)

Rearward Facing Ports
 DS-PAN-441, DS-PAN-441-2



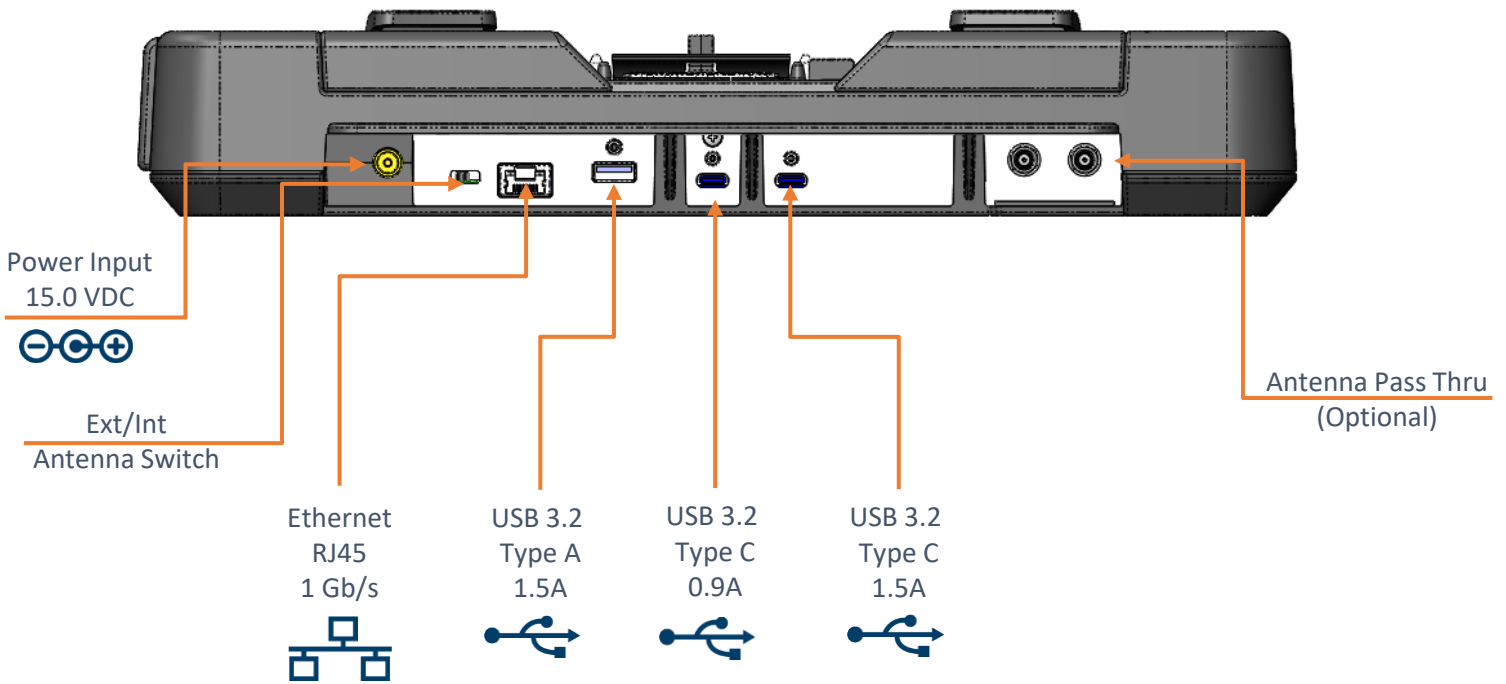
Forward Facing Ports
 DS-PAN-441, DS-PAN-441-2, DS-PAN-444, DS-PAN-444-2



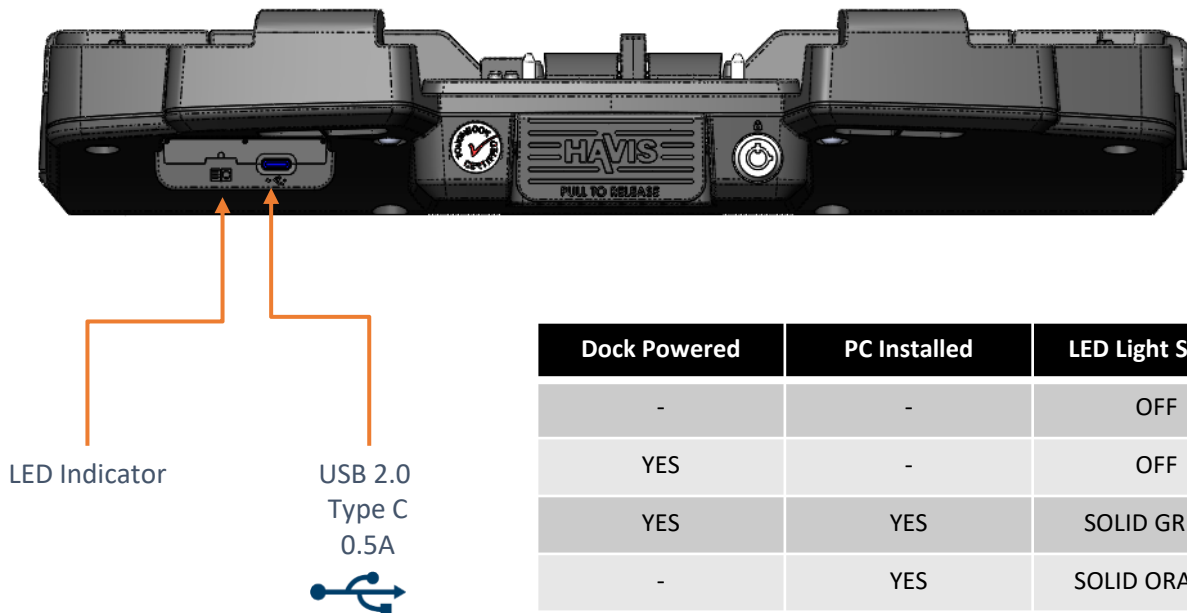
Dock Powered	PC Installed	LED Light Status
-	-	OFF
YES	-	OFF
YES	YES	SOLID GREEN
-	YES	SOLID ORANGE
YES	NOT CORRECT	BLINKING RED

Port Replication Capability (Standard)

Rearward Facing Ports
 DS-PAN-444, DS-PAN-444-2



Forward Facing Ports
 DS-PAN-441, DS-PAN-441-2, DS-PAN-444, DS-PAN-444-2

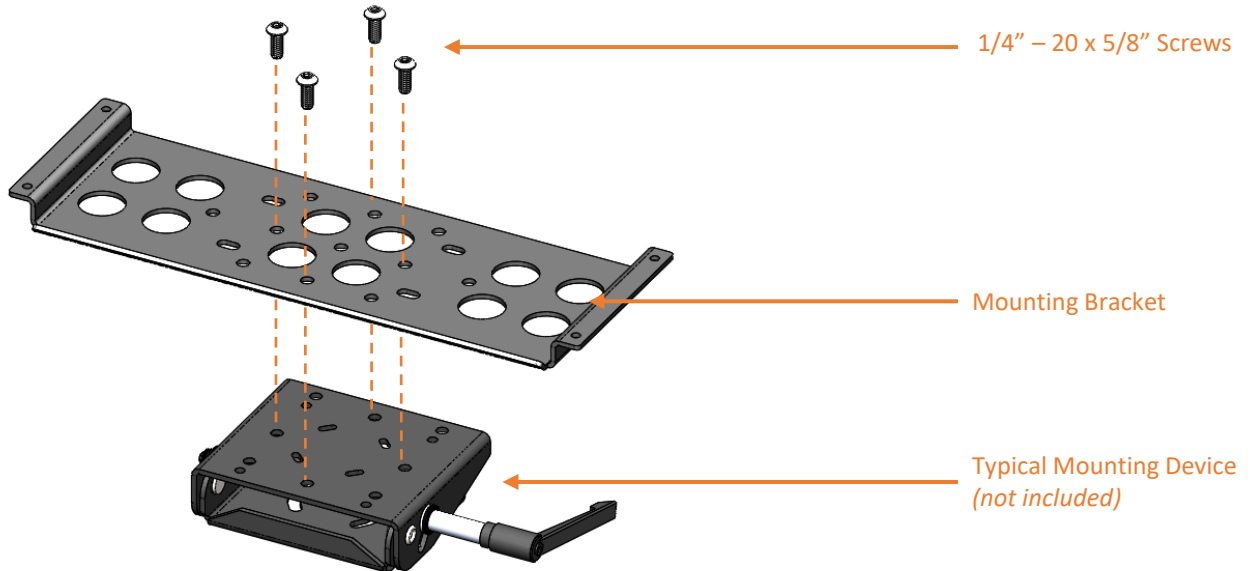


Dock Powered	PC Installed	LED Light Status
-	-	OFF
YES	-	OFF
YES	YES	SOLID GREEN
-	YES	SOLID ORANGE
YES	NOT CORRECT	BLINKING RED

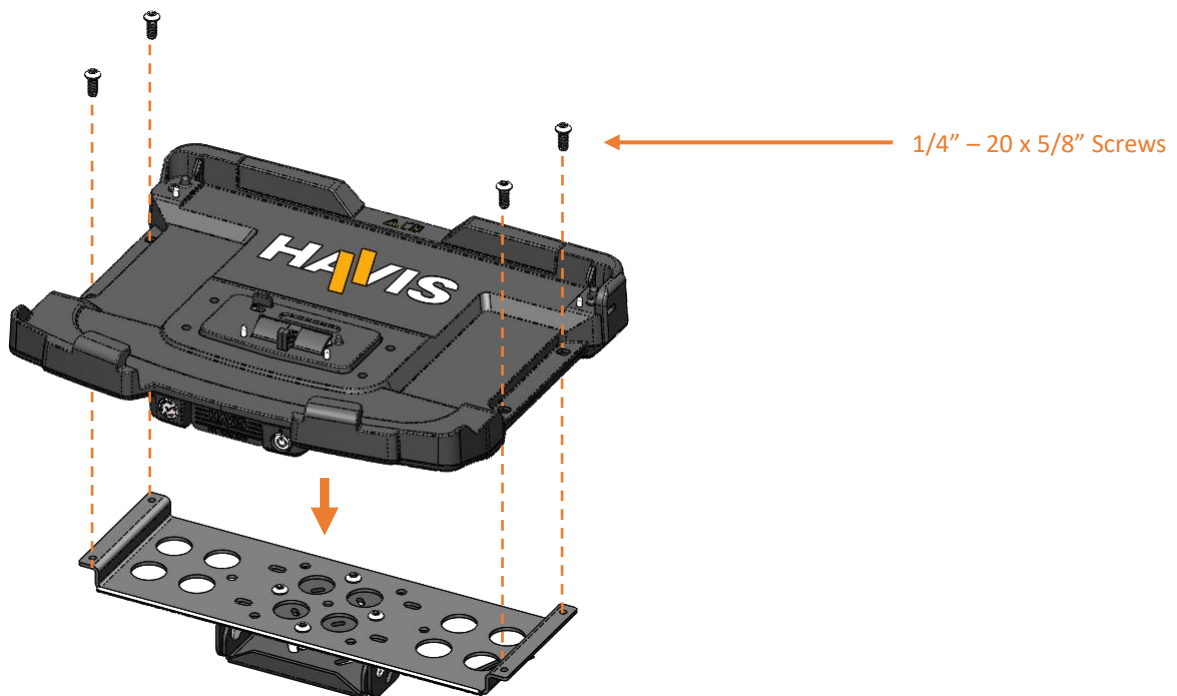
Installation

- 1) Remove the mounting bracket from the packaging. Install the mounting bracket to the motion device using (4) 1/4"-20 x 5/8" long button head screws. Torque the screws to 80 in-lbs. (9.0Nm) ± 10%.

NOTE: Numerous hole patterns present in the mounting bracket will accommodate Havis motion devices as well as most third-party motion devices. Additional hardware may be required for mounting depending on the mounting device selected.



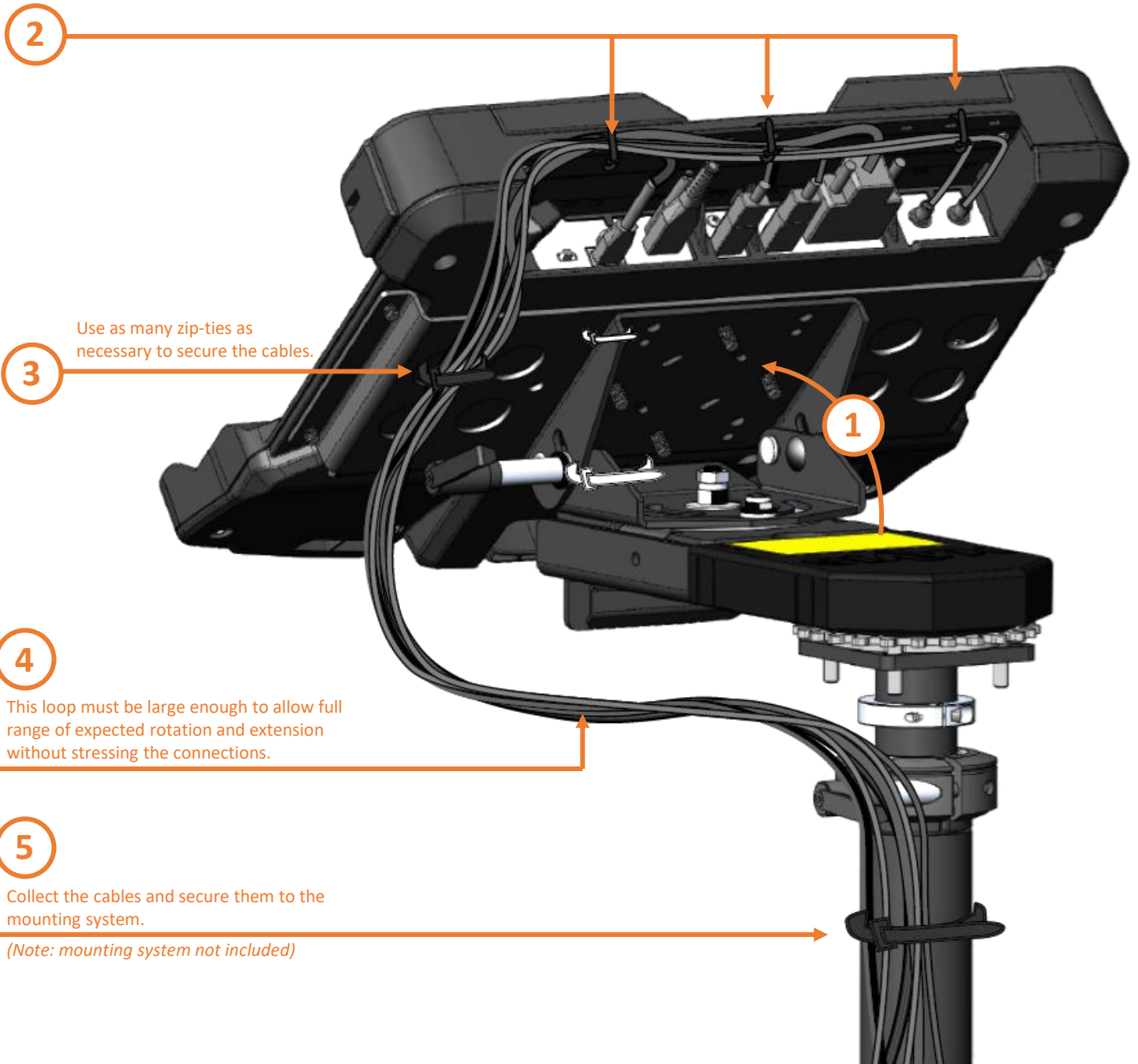
- 2) Lower the docking station onto the mounting bracket as shown and secure the docking station with (4) 1/4"-20 x 5/8" long screws. Torque the screws to 32 in-lbs. (3.5Nm) ± 10%.



NOTE: Havis recommends applying medium strength thread locking adhesive to the threads of all fasteners.

Cable Management

- 1) Orient the docking station in a position that is comfortable to work with.
- 2) Install all cables that are necessary for computing needs.
- 3) Use zip-ties to strain relieve cables to the strain relief pins, routing all cables together to the front of the docking station.
- 4) Secure the cable bundle to the mounting bracket with a zip-tie.
- 5) Create a service loop with the cable bundle to ensure that no tension is on the connectors, and to enable the intended motion.
- 6) Tie off the cables onto a stationary part of the mounting system.
(Mounting system not included with the docking station.)



Operation – Docking

⚠ CAUTION ⚠ ATTENTION

DO NOT FORCE THE LAPTOP ONTO THE DOCKING STATION. IF THERE IS RESISTANCE, CHECK THE ALIGNMENT OF THE LAPTOP ON THE DOCKING STATION.

NE FORCEZ PAS L'ORDINATEUR PORTABLE SUR LA STATION D'ACCUEIL. EN CAS DE RÉSISTANCE, VÉRIFIEZ L'ALIGNEMENT DE L'ORDINATEUR PORTABLE SUR LA STATION D'ACCUEIL.

- 1) With the rear of computer elevated, load front of computer into Docking Station ensuring the computer's handle extends under the Front Hooks. Take care to center computer in Docking Station when lowering.



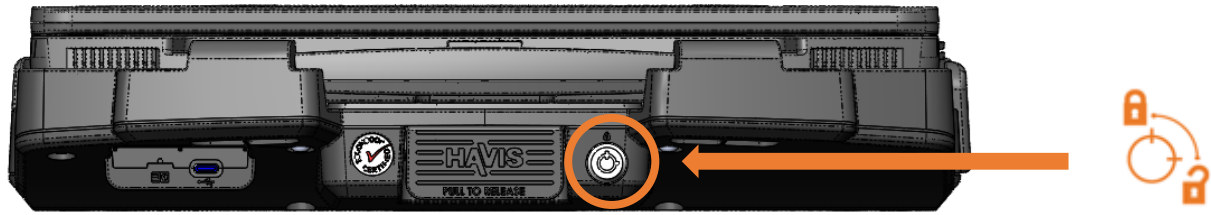
- 2) Slowly lower the back of computer onto the docking station, ensuring computer properly aligns with both Locator Posts in Docking Station. With computer seated on Docking Station, firmly press the rear corners of the computer until both Latch Hooks snap into place. An audible 'click' will be heard when computer is securely docked.



WARNING: Always press down on BOTH rear corners of the computer to ensure that BOTH Latch Hooks are fully secured. Failure to do so can result in improper docking of the computer to the dock.

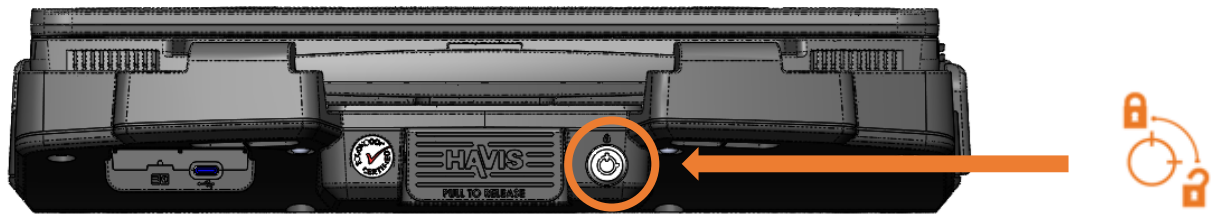
Operation – Docking

- 3) For theft deterrence, secure computer by locking Docking Station with supplied key (Hardware Kit Item #2).

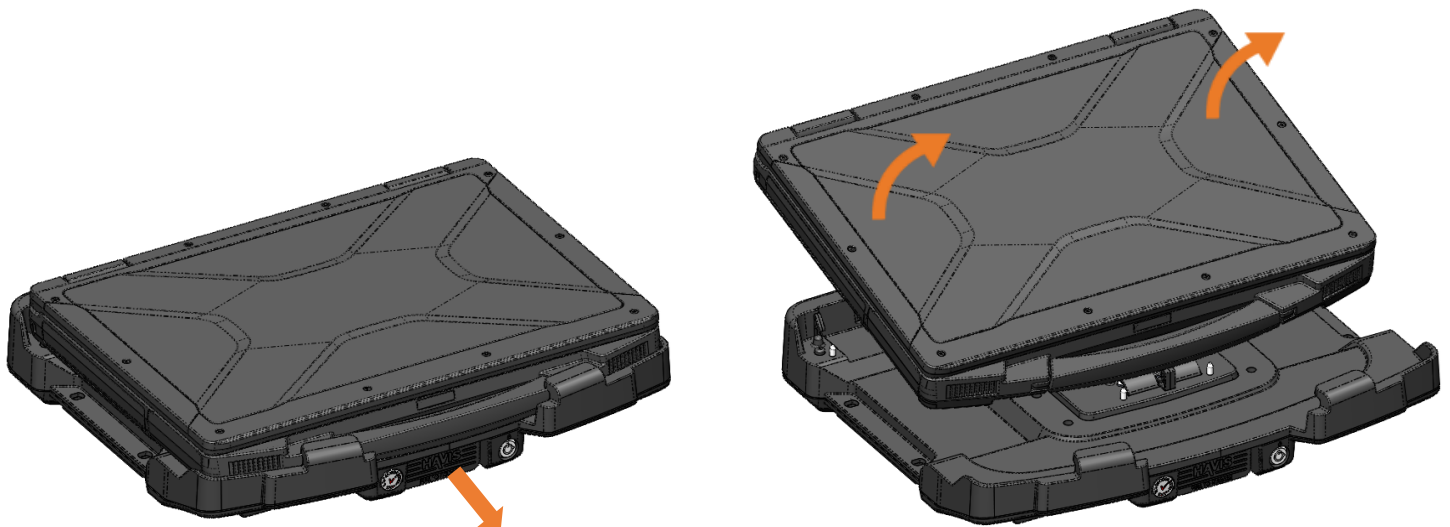


Operation - Undocking

- 1) If previously locked, unlock Docking Station using supplied key.



- 2) Remove the computer from Docking Station by pulling the Release Handle to release the Latch Hooks. Once Latch Hooks are released, grab both sides of the computer and lift out of Docking Station, rear end first.



Regulatory Information

Canada

CAN ICES (B) / NMB (B)

Class B equipment

This Class B digital apparatus meets all requirements of the Canadian Interference-Causing Equipment Regulations.

Équipement de Classe B

Cet appareil numérique de la Classe B respecte toutes les exigences du Règlement sur le matériel brouilleur du Canada.

United States of America

FCC Compliance

This device complies with part 15 of the FCC Rules. Operation is subject to the following two conditions: (1) This device may not cause harmful interference, and (2) this device must accept any interference received, including interference that may cause undesired operation.

Note: This equipment has been tested and found to comply with the limits for a Class B digital device, pursuant to part 15 of the FCC Rules. These limits are designed to provide reasonable protection against harmful interference in a residential installation. This equipment generates, uses and can radiate radio frequency energy and, if not installed and used in accordance with the instructions, may cause harmful interference to radio communications. However, there is no guarantee that interference will not occur in a particular installation. If this equipment does cause harmful interference to radio or television reception, which can be determined by turning the equipment off and on, the user is encouraged to try to correct the interference by one or more of the following measures:

- Reorient or relocate the receiving antenna.
- Increase the separation between the equipment and receiver.
- Connect the equipment into an outlet on a circuit different from that to which the receiver is connected.
- Consult the dealer or an experienced radio/TV technician for help.

Changes or modifications not expressly approved by the party responsible for compliance could void the user's authority to operate the equipment.

Responsible party (contact for FCC matters only):

Havis, Inc.
75 Jacksonville Road
Warminster, PA 18974
havis.com/contact-us

Regulatory Information *(continued)*

European Union

Waste Electrical and Electronic Equipment (WEEE)

Electrical and electronic equipment (EEE) contain materials, components and substances that can be hazardous and harmful to human health and the environment when WEEE is not disposed of properly.

Products marked with the "crossed-out wheeled bin" symbol are EEE. The crossed-out wheeled bin symbolizes that WEEE must not be disposed of together with unsorted household waste, but must be collected separately.

For this purpose, all municipalities have established collection schemes where WEEE can be handed in, free of charge, by citizens at recycling stations or other collection points or collected directly from households. Further information should be obtained from the municipality's technical administration.



This symbol on the product or on its packaging indicates that the product must not be disposed of with normal household waste. Instead, it is your responsibility to dispose of your waste equipment by arranging to return it to a designated collection point for the recycling of WEEE. By separating and recycling your waste equipment at the time of disposal, you will help to conserve natural resources and ensure that the equipment is recycled in a manner that protects human health and the environment. This product is EEE and shall not be placed in the municipal waste after end of its life. This device should be handled properly and handed over to appropriate collection places or to authorized companies.

Conformité Européene (CE) Mark



The CE marking on a Havis product indicates conformity to the provisions of applicable European Union (EU) directives. The EU Declaration of Conformity (DoC) is the manufacturer's declaration that the product complies with those directives.

EU Authorized Representative:

Alura Group B.V.
Kroonwiel 2, 6003 BT Weert, Netherlands

United Kingdom

United Kingdom Conformity Assessed (UKCA) Mark



The UKCA marking on a Havis product indicates conformity to the provisions of applicable European Union (EU) directives and United Kingdom (UK) legislations. The UK Declaration of Conformity (DoC) is the manufacturer's declaration that the product complies with those directives and legislations.

UK Authorized Representative:

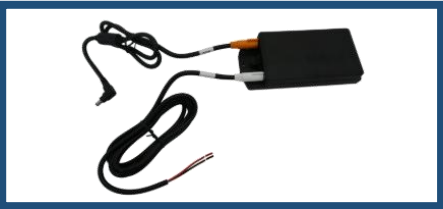
Tailwind Solutions Limited
Unit 2a Castle Business Centre, Queensferry Road, Pitreavie Business Park
Dunfermline Fife, KY11 8NT
Scotland, United Kingdom

Related Products

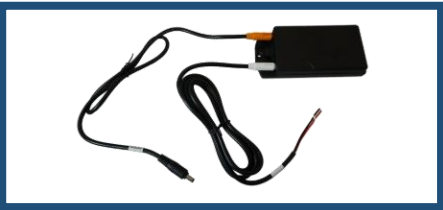
Havis offers a wide variety of accessory products specifically for use with your Docking Station. For more information or to order, please visit www.havis.com.



DS-DA-503
Replacement Keys
Set of (2) replacement keys for HAVIS Docking Stations



120N-B01-R03-1
Havis Power Supply
120W DC Power Supply with a 90° Right Angle Panasonic Connector



120N-B01-S03-1
(Not for use with DS-PAN-443 & DS-PAN-446)
Havis Power Supply
120W DC Power Supply with a Straight Panasonic Connector



CG-X
Charge Guard-Select
Auto Shut-Off timer that will protect your vehicles battery and peripherals



DS-DA-604
Rugged USB-C Port Replication Hub
Two Type C and two Type A USB3.1 ports and a Gigabit RJ45 port



DS-DA-427
Screen Support
Screen Support for DS-PAN-440 Series Docking Stations