

INSTALL INSTRUCTIONS SBX-5023

Vehicle Specific Dual Drawer Base Mount

Fits 2025-2026 Chevrolet Tahoe

TOOLS NEEDED:

Socket Set (Standard & Metric)	Open End Wrench Set	
Trim Removal Tools	Rubber Mallet	Torx / Allen Bit Set

INSTALLATION PARTS AND MOUNTING HARDWARE:

<u>QTY</u>	<u>DESCRIPTION</u>	<u>PART #</u>
2	SPACER, 1.5"	11561
2	BRKT, TTP, TAHOE, MT	24807
1	BRKT, TTP, TAHOE, FRONT MT, DS	24809
1	BRKT, TTP, TAHOE, FRONT MT, PS	24810
10	HRDW,SCRW,MS,82F,HEX,5/32,ST,BO,BLK,1/4-20X1/2,TL	25522
3	RUBBER BUMPER	13691
1	BRKT, TAHOE, VERT RISER, DS	43992
1	BRKT, TAHOE, VERT RISER, PS	43993
1	BASE MOUNT PLATE, TAHOE LONG DRAWERS	43994
1	BRKT, FRONT MOUNT, 23IN BOX	44682
1	BRKT, FRONT MOUNT, 15.5IN BOX	44683
1	CENTER BRACE, SXS BOX RISER	44684
1	BRKT, THUMB CLEAT, 23IN BOX	44685
1	BRKT, THUMB CLEAT, 15.5IN BOX	44686
1	CROSS BRACE B, SXS BOX RISER	44687
1	CROSS BRACE A, SXS BOX RISER	44688
1	BRKT, EXPEDITION SBX HAT, 2025	44659
1	TRIM PANEL, REAR STORAGE, SXS, TAHOE	45429
1	BRKT, SIDE, REAR STORAGE, SXS, TAHOE DS	45430
1	BRKT, SIDE, REAR STORAGE, SXS, TAHOE PS	45431
16	NUT 1/4-20 HEX FLANGE SERRATED ZP, BLK	16013
18	WASHER, 1/4 FLAT ZP, BLACK	16122
10	WASHER, 5/16" FLAT, SAE ZP BLK	16123
8	BOLT 1/4-20 X 1/2 CARRIAGE ZP BLK	16222
8	Hex Head Thread-Forming Screw 5/16"-18, 3/4" Long	16245
19	SCREW 1/4-20 x 3/4" HHCS ZP BLK	16326
8	SCREW 5/16-18 X 1" HHCS BLK	16336
2	HRDW,SCRW,8mm-1.25x55mm,HHCS,ZINC,GRADE 8	16511
2	M10 X 1.50 X 45 MM LG HEX BOLT	16518

ALWAYS!

- * Read all Instructions before installing any Havis, Inc. products.
- * Use Hardware included with install kit

SBX-5023 (Assembly)

THUMB CLEAT,
15.5" BOX
44686

CROSS BRACE B,
44687

CENTER BRACE,
44684

RISER ,TAHOE, DS
43992

THUMB CLEAT,
23" BOX, 44685

CROSS
BRACE A,
44688

RISER , TAHOE, PS
43993

BRKT, SIDE,
REAR
STORAGE,
TAHOE, DS
45430

BRACKET,
TTP, TAHOE, PS
24810

EXPD SBX
ELECTONICS
MOUNT,
44659

BASE MOUNT
PLATE, TAHOE
LONG DRAWERS
43994

TRIM PANEL,
REAR STORAGE,
SXS, TAHOE
45429

BRKT, FRONT,
23" BOX
44682

BRKT, SIDE,
REAR
STORAGE,
TAHOE, DS
45430

BRKT, FRONT,
15.5" BOX
44683



Flip up or remove 2nd row seats.



Remove cargo area floor padding and OEM plastic sill trim.



Remove OEM cargo D-rings on driver and passenger sides.



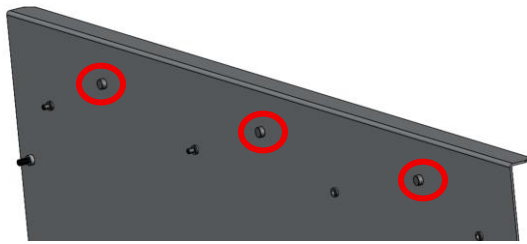
Determine 3rd row seat bolt locations in floor and loosely attach front floor brackets (24810) with supplied M10 bolts (16518). Temporarily remove OEM M12 bolts from the rear seat belt anchor locations. (T50 Torx)



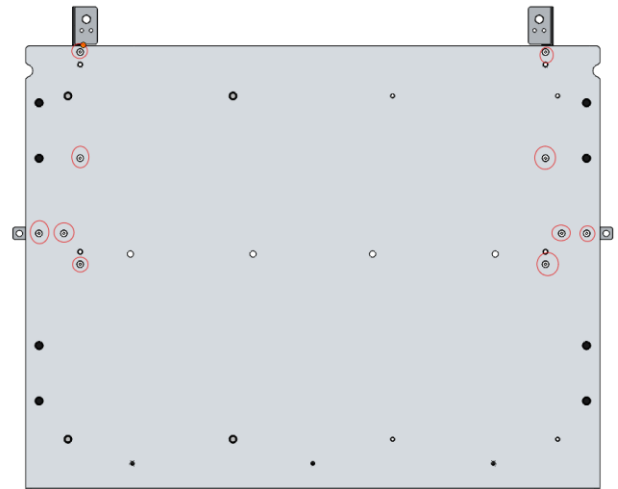
NOTE: Remove padding if necessary to allow supplied M10 (16518) bolt to pass through to OEM threaded hole. Repeat for both sides. Front brackets can sit on the padding.



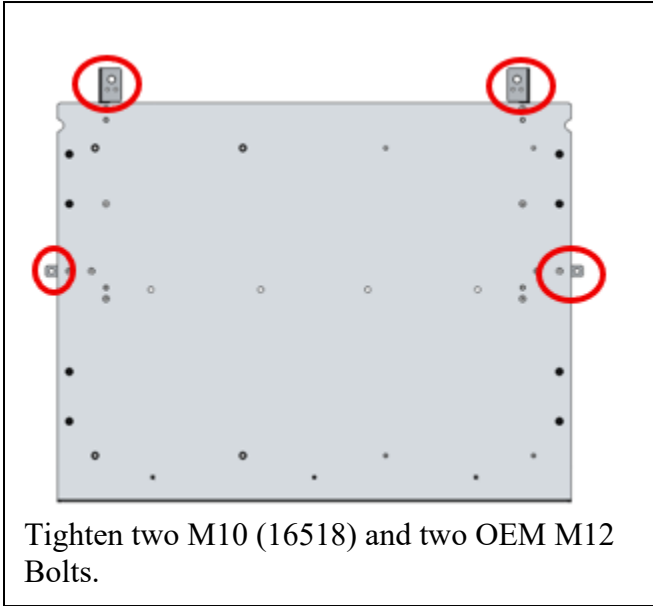
Mount BRKT, TTP TAHOE (24807) using OEM M12 bolts from the rear seat belt anchor locations on both sides. (T50 Torx)



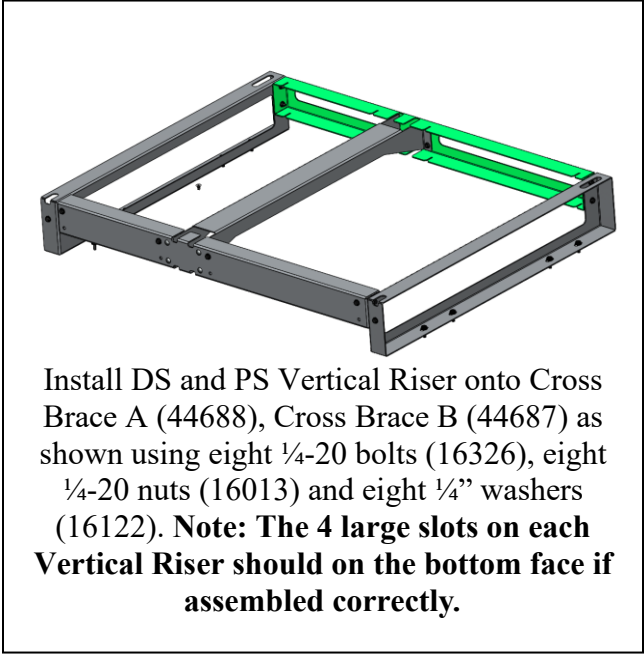
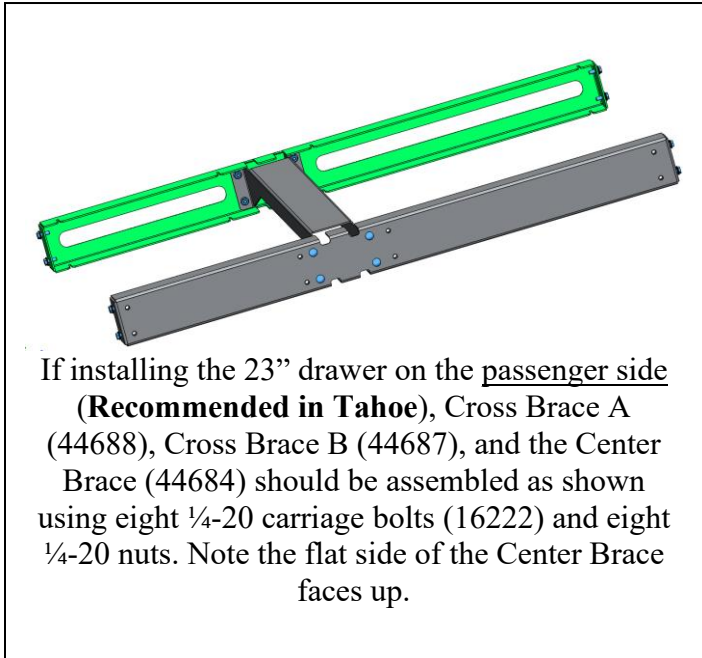
Install 3 Rubber Bumpers (13691) on bottom side of Base Mount Plate.

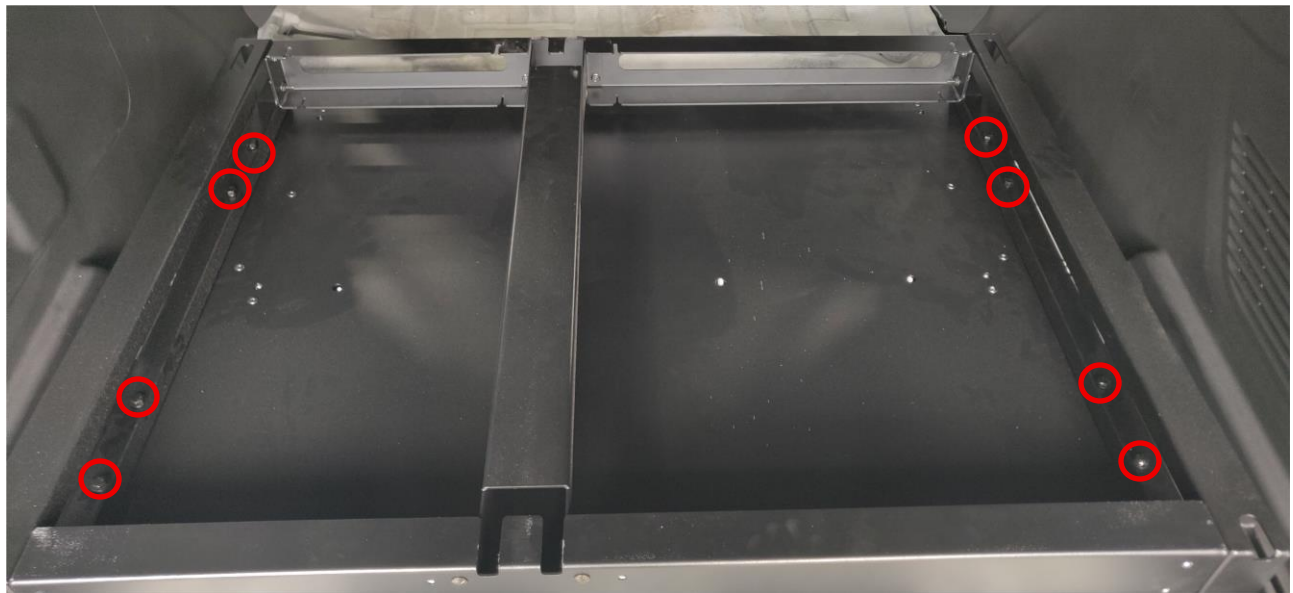


Install Base Mount Plate (43994) with flange pointing up at the rear of the vehicle. Secure to previously installed brackets (24807/24810) using ten 1/4-20 x 1/2" cone head Allen bolts (25522).



If installing the 23" drawer on the driver side, Cross Brace A (44688) and Cross Brace B (44687) should be oriented with the wider side on the driver side of the vehicle, as shown. Install the Center Brace (44684) using eight 1/4-20 carriage bolts (16222) and eight 1/4-20 nuts. The flat side of the Center Brace faces up.





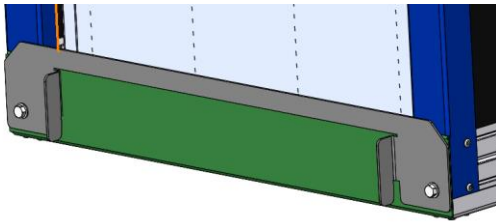
Set the assembled frame onto the Base Mount Plate (43994). Install using eight 5/16" x 1" bolts (16336) and eight 5/16" washers (16123)



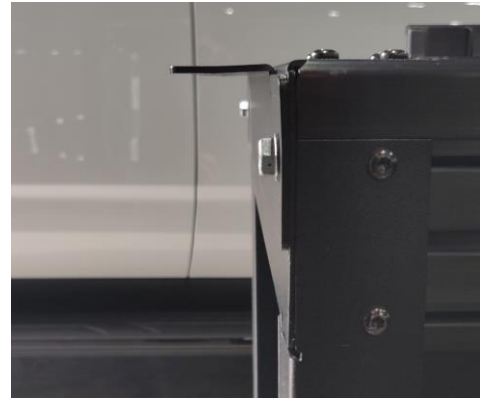
Loosely install the Side Bracket, DS using the 1.5" AL spacer (11561), M8-1.25 x 55mm bolt (16511) and 5/16" washer (16123) into the threaded hole for the OEM Cargo D-ring. Secure to Vertical Riser using one 1/4-20 (16326) and one 1/4" washers (16122). Repeat for passenger side. Tighten all four bolts.



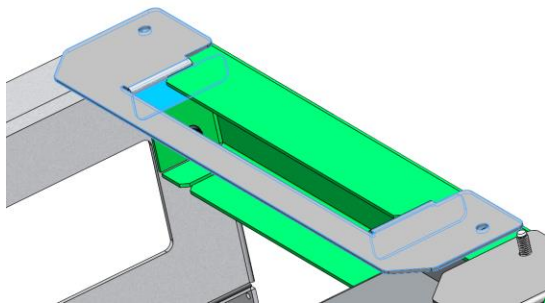
Install Electronics Mount(44659) using four 1/4-20 bolt (16326) and four 1/4" washers (16122) onto Base Mount Plate. *Installation on DS shown



To install the Thumb Cleat that matches the width of the box you are installing (44685 / 44686). Mount with the prongs facing to the rear of the drawer using two 5/16" x 3/4" bolts (16245). Bolts should self thread into the aluminum extrusion of the drawer corners. Repeat for second drawer if equipped.



Install the Front Bracket (44682 / 44683) that matches the width of the box you are installing. Mount with the face even with the front of the drawer using two 5/16" x 3/4" bolts (16245). Bolts should self thread into the aluminum extrusion of the drawer corners. Repeat for second drawer if equipped.



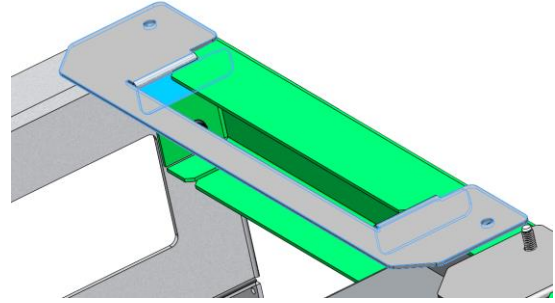
Installing Drawer onto Base Mount. The Thumb Cleat (44685 / 44686) installs into the slots in Cross Brace B (44687). Shown here without Drawer. To install a Drawer onto the Base Mount align the vertical parts of the Thumb Cleat with the slots and push into the slots. There is a slight interference to this fit.



Using a rubber mallet, seat the cleat by striking the highlighted areas alternating sides (Left, Right, Left, Repeat) until the Front Bracket (44682 / 44683) is close to Cross Brace A (44688). Secure with two 1/4-20 bolts (16326) and two 1/4" washers (16122) and tighten. Repeat for other drawer if equipped.
 **If single drawer solution: See below for install of cargo tray.



To install the Tray attach the Thumb Cleat (44686) and Front Bracket (44683) with the prongs facing outward using four 1/4" x 1/2" carriage bolts (16222) and four 1/4"-20 nuts. Bracket and cleat orientation should match the drawer.



When installing the Tray onto the Base Mount, the Thumb Cleat (44686) installs into the slots in Cross Brace B (44687).

Shown here without Tray. Align the vertical parts of the Thumb Cleat with the slots and push into the slots. There is a slight interference to this fit.



Using a rubber mallet and a block of wood to distribute the blows, seat the cleat by striking the highlighted areas alternating sides (Left, Right, Left, Repeat) until the Front Bracket (44683) is close to Cross Brace A (44688).

DO NOT strike without a wood block.

This may damage the edge. Secure with two 1/4-20 bolts (16326) and two 1/4" washers (16122) and tighten.

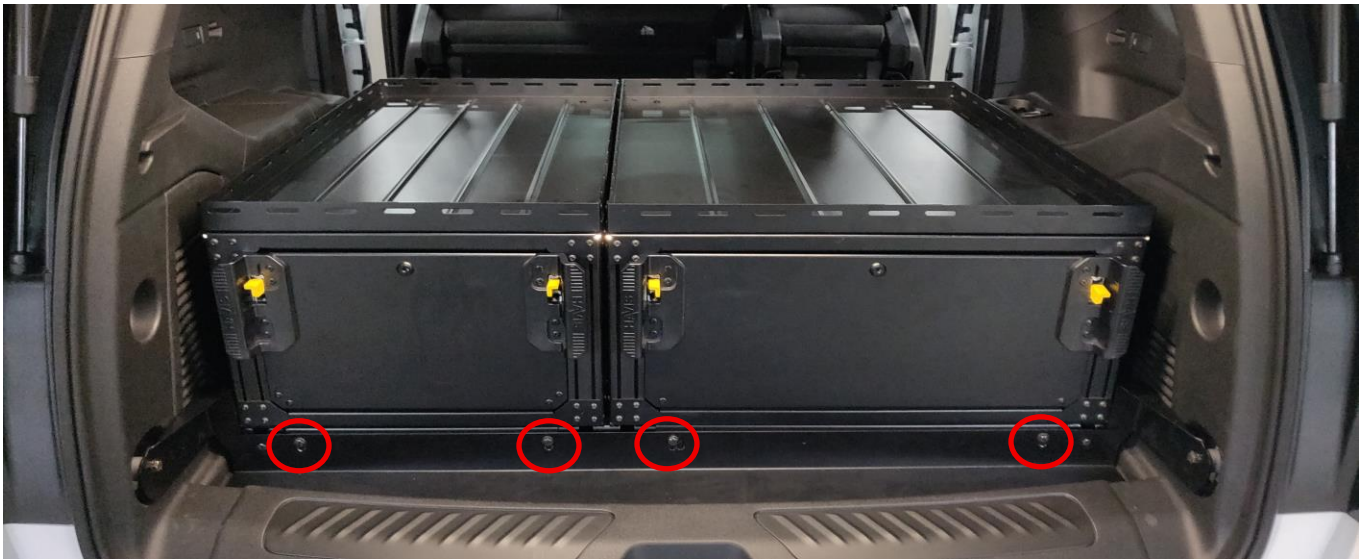


To Remove: Remove two 1/4-20 bolts (16326) and two 1/4" washers (16122).

Using a rubber mallet and a block of wood to distribute the blows, unseat the cleat by striking the block of wood as close to the corner of the tray as possible, alternating sides (Left, Right, Left, Repeat) until the Tray is free. **DO NOT strike without a wood block. This may damage the edge.**



Re-install OEM sill trim



Install trim panel (45429) using four ¼-20 bolts (16326) with washers (16122) and tighten.