

## INSTALL INSTRUCTIONS SBX-5022

### Vehicle Specific Dual Drawer Base Mount

### Fits 2025-2026 Ford Expedition

**TOOLS NEEDED:**

Socket Set (Standard & Metric)      Open End Wrench Set      Phillips Screwdriver

Trim Removal Tools                      Rubber Mallot

**INSTALLATION PARTS AND MOUNTING HARDWARE:**

<u>QTY</u>	<u>DESCRIPTION</u>	<u>PART #</u>
1	BRKT, FRONT MOUNT, 23IN BOX	44682
1	BRKT, FRONT MOUNT, 15.5IN BOX	44683
1	CENTER BRACE, SXS BOX RISER	44684
1	BRKT, THUMB CLEAT, 23IN BOX	44685
1	BRKT, THUMB CLEAT, 15.5IN BOX	44686
1	CROSS BRACE B, SXS BOX RISER	44687
1	CROSS BRACE A, SXS BOX RISER	44688
1	BRKT, EXPEDITION SBX HAT, 2025	44659
1	TRIM PANEL, 25 EXPD, SXS DRAWERS	44680
1	RISER B, PS, REAR STORAGE, SXS, EXPD 25	45181
1	RISER A, DS, REAR STORAGE, SXS, EXPD 25	45182
1	RISER B, DS, REAR STORAGE, SXS, EXPD 25	45183
1	RISER A, PS, REAR STORAGE, SXS, EXPD 25	45184
1	BRKT, EXPEDITION SBX BASE, LONG DRAWER, 2025	45185
1	BRKT, BASE DS, EXPD LONG DRAWER, 2025	45186
1	BRKT, BASE PS, EXPD LONG DRAWER, 2025	45187
16	HW,NUT,SERRFLNG,,ZN,BLK,1/4-20	16013
6	HW,NUT,SERRFLNG,,ZN,BLK,5/16-18	16014
17	HW,WSHR,FLAT,G5,ZN,BLK,1/4,0.28X0.63X0.06	16122
12	HW,WSHR,FLAT,G5,ZN,BLK,5/16,	16123
2	HW,WSHR,FLAT,SS,PLN,NAT,M12,M13X24X2.5	16212
8	HW,SCRW,MS,CRG,,,ST5,ZN,BLK,1/4-20x1/2	16222
8	HW,SCRW,TF,HXF,HEX,1/2",ST,ZN,SLVR,5/16-18X3/4	16245
17	HW,SCRW,MS,HEX,HEX,,ST5,ZN,BLK,1/4-20x3/4	16326
12	HW,SCRW,MS,HEX,HEX,1/2",ST5,ZN,BLK,5/16-18X1	16336
2	HW,SCRW,MS,HEX,HEX,19MM,ST8,ZN,SLVR,M12X1.75X40	16525
5	STAR KNOB W/1/4-20X.75"THREADED STUD	16795

**ALWAYS!**

- \* Read all Instructions before installing any Havis, Inc. products.
- \* Use Hardware included with install kit

**SBX-5022 (Assembly)**

CROSS BRACE B,  
44687

THUMB CLEAT,  
15.5" BOX  
44686

CENTER BRACE,  
44684

BRACKET, BASE, DS  
45186

RISER B, DS  
45183

THUMB CLEAT,  
23" BOX, 44685

RISER A, DS  
45182

RISER B, PS  
45181

M12 X1.75  
BOLT  
16525

TRIM PANEL, 25  
EXPD, SXS  
DRAWERS  
44680

BRACKET, BASE, PS  
45187

CROSS  
BRACE A,  
44688

RISER A, PS  
45184

BRKT, FRONT,  
15.5" BOX  
44683

BRKT, FRONT,  
23" BOX  
44682

SBX BASE,  
EXPD, LONG  
DRAWER  
45185

EXPD SBX  
ELECTRONICS  
MOUNT,  
44659



Remove cargo area floor panel and OEM plastic storage bin.

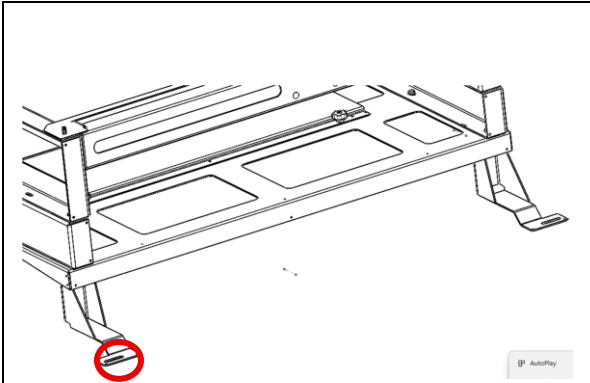


Remove 3<sup>rd</sup> row seats if applicable.  
Note: Tape over unused seat mount holes in floor.

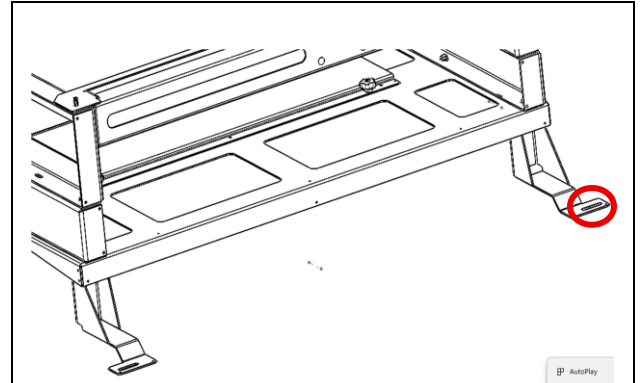


For a vehicle with no 3<sup>rd</sup> row seat, remove tape over two circled holes and tap with M12 x 1.75 thread.

**\*\*View is from front looking rearward\*\***



Using OEM seat bolt, loosely install the BRACKET, BASE, PS (45187). If 2<sup>nd</sup> row OEM seats are being retained, install under the seat mount.



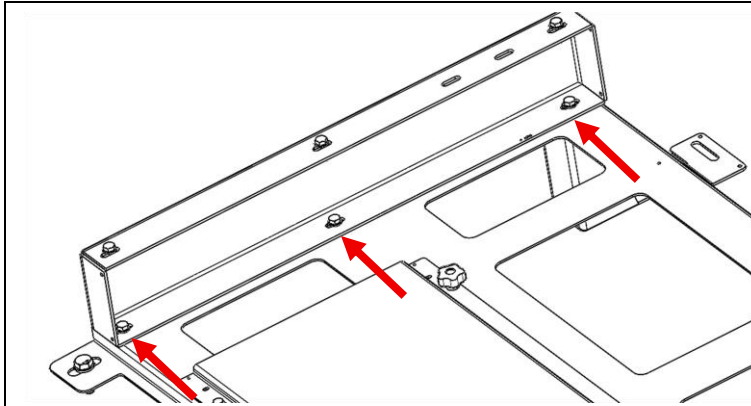
Using OEM seat bolt, loosely install the BRACKET, BASE, DS (45186). If 2<sup>nd</sup> row OEM seats are being retained, install under



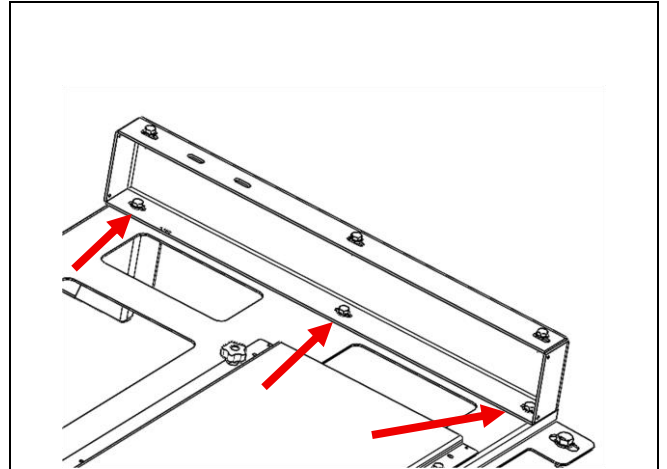
Set BRKT, EXPEDITION SBX BASE, LONG DRAWER, 2025 (45185) into place. Mounting tabs should face towards rear of vehicle.



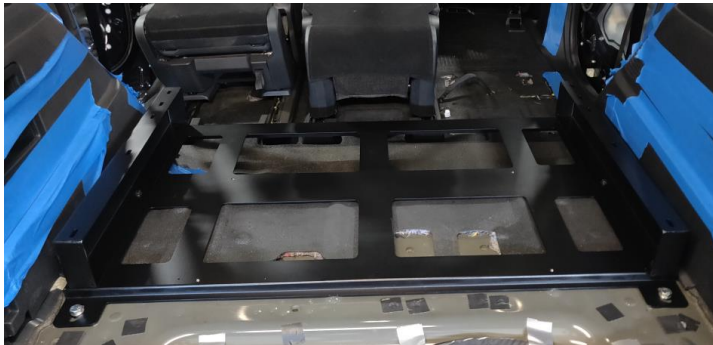
Loosely secure using two M12 Bolts (16525) and two M13 washers (16212)



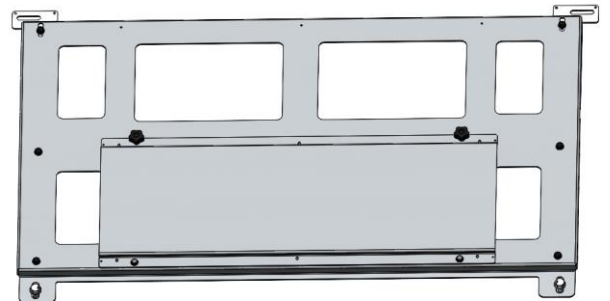
Using three 5/16-18X1 bolts (16336) and three 5/16 washers (16123) loosely install RISER A, DS (45182) on the drivers side. Bolts should be roughly centered in the slots.



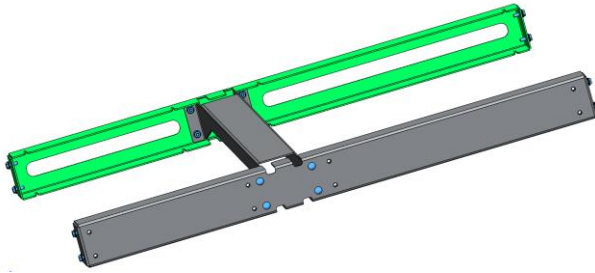
Using three 5/16-18X1 bolts (16336) and three 5/16 washers (16123) install RISER A, PS (45184) on the passenger side. Bolts should be roughly centered in the slots.



Tighten all six 5/16-18X1 bolts (16336), two M12 bolts, and 2 OEM seat mount bolts to secure the base.

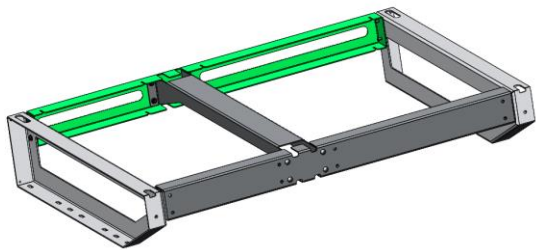


Install ELECTRONICS MOUNT, (44659) in vehicle using two 1/4-20 bolt (16326), with two 1/4 washers (16122), and two Star Knobs (16795). It is suggested to install the knobs towards the front of the vehicle.



If installing the 23" drawer on the passenger side, Cross Brace A (44688), Cross Brace B (44687), and the Center Brace (44684) should be assembled as shown using eight 1/4-so carriage bolts (16222) and eight 1/4-20 nuts. Note the flat side of the Center Brace faces up.

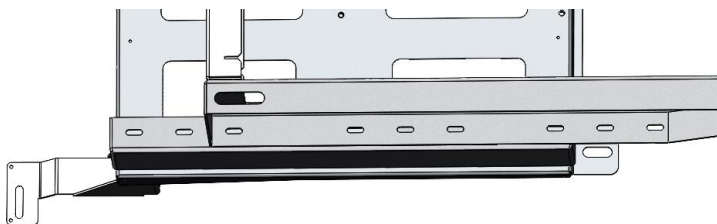
If installing the 23" drawer on the driver side, Cross Brace A (44688) and Cross Brace B (44687) should be oriented with the wider side on the driver side of the vehicle, as shown. Install the Center Brace (44684) using eight 1/4-so carriage bolts (16222) and eight 1/4-20 nuts. The flat side of the Center Brace faces up.



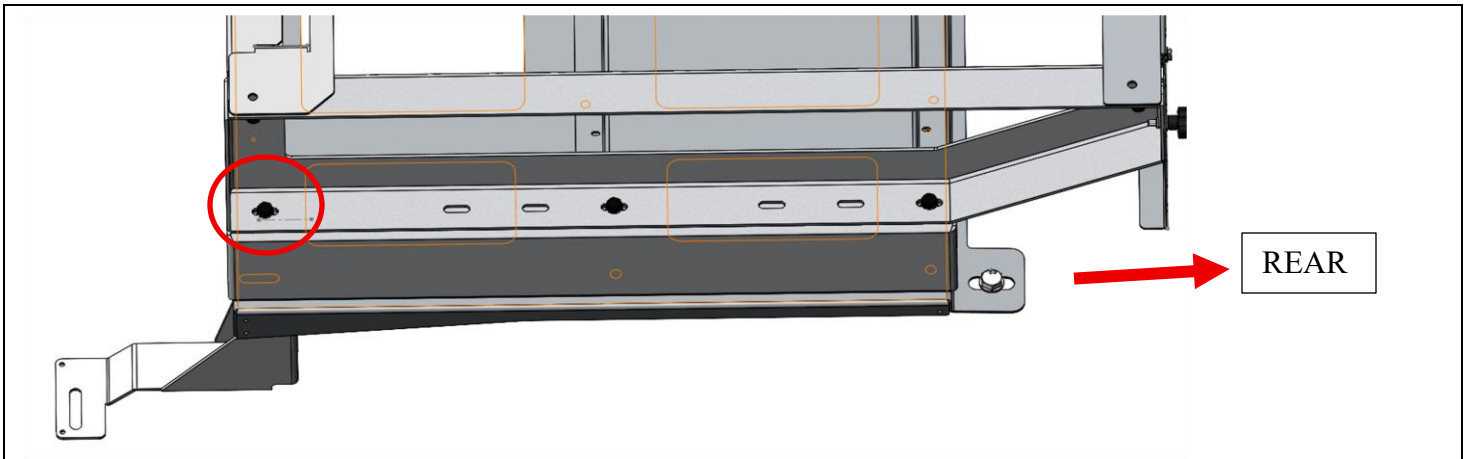
Using eight each of 1/4-20 bolts (16326), 1/4-20 nuts (16013), and 1/4" washers (16122) attach Riser B, DS (45183) and Riser B PS(45181).



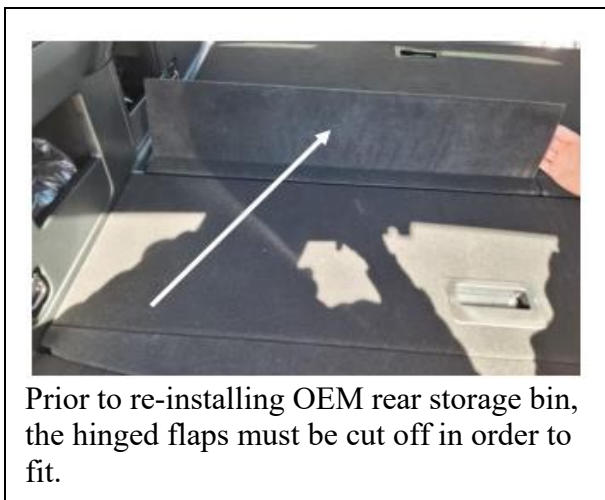
Now install frame onto base already installed in vehicle using six 5/16 bolts (16336), six 5/16 nuts (16014), and six 5/16 washers (16123).



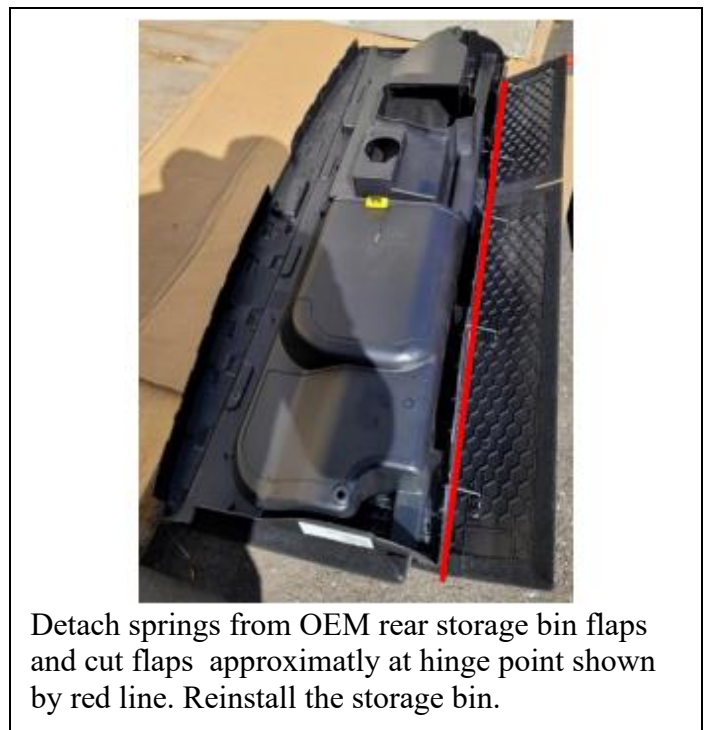
The mount is adjustable to allow use with various dividers, barriers, and K9 enclosures. Slots in the Risers (45183/45181) allow for mounting Standard, Plus 3" and Plus 6" toward rear of the vehicle. Plus 6" shown above, Standard shown in previous step.



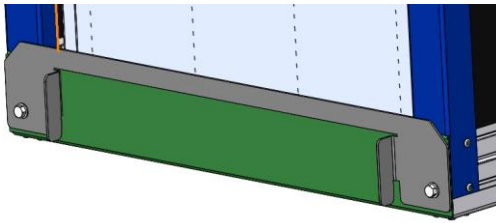
Standard Position: Install 5/16 bolt (16336) loosely in most forward slot of Riser B, DS and Riser A, DS as shown. This is recommended for use with Havis Standard K9. Install two more bolts in slots on DS (Shown above). Repeat for PS. Adjust Risers to desired position within the slotted hole travel and tighten all bolts.  
 \*For plus 3" move Riser B toward the rear 3". Install bolts in 3 slots per side once aligned.  
 \*\*For plus 6" move Riser B toward the rear 6". Install bolts in 3 slots per side once aligned.



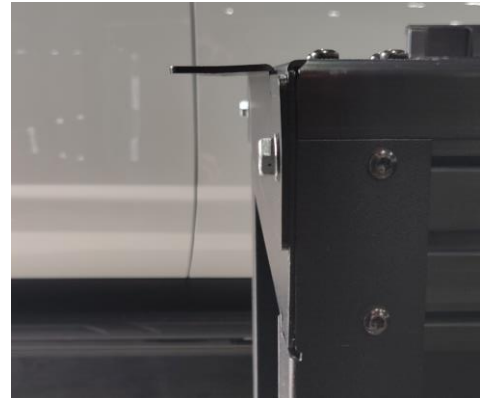
Prior to re-installing OEM rear storage bin, the hinged flaps must be cut off in order to fit.



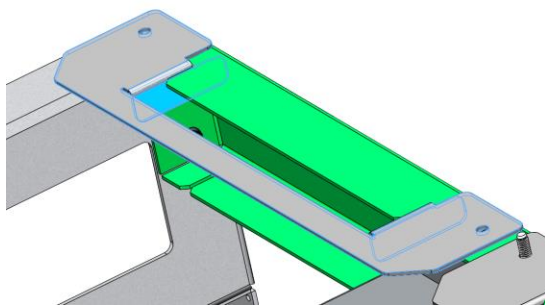
Detach springs from OEM rear storage bin flaps and cut flaps approximately at hinge point shown by red line. Reinstall the storage bin.



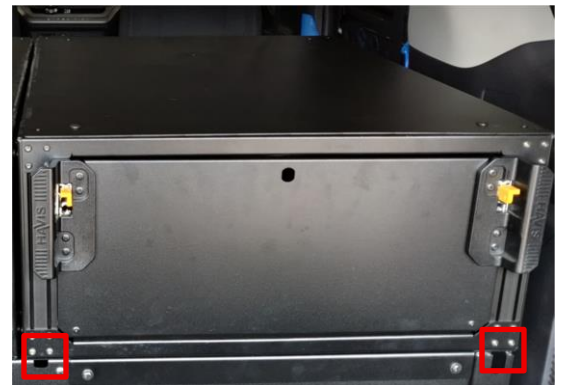
To install the Thumb Cleat that matches the width of the box you are installing (44685 / 44686). Mount with the prongs facing to the rear of the drawer using two 5/16" x 3/4" bolts (16245). Bolts should self thread into the aluminum extrusion of the drawer corners. Repeat for second drawer if equipped.



Install the Front Bracket (44682 / 44683) that matches the width of the box you are installing. Mount with the face even with the front of the drawer using two 5/16" x 3/4" bolts (16245). Bolts should self thread into the aluminum extrusion of the drawer corners. Repeat for second drawer if equipped.



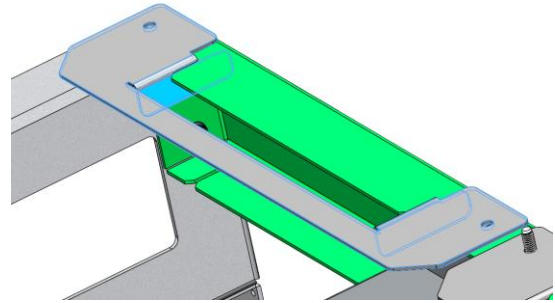
When installing Drawer onto Base Mount, the Thumb Cleat (44685 / 44686) installs into the slots in Cross Brace B (44687). Shown here without Drawer Align the vertical parts of the Thumb Cleat with the slots and push into the slots. There is a slight interference to this fit.



Using a rubber mallet, seat the cleat by striking the highlighted areas alternating sides (Left, Right, Left, Repeat). Once the Front Bracket (44682 / 44683) is close to Cross Brace A (44688) install two 1/4-20 bolts (16326) with washers (16122) and tighten. Repeat for other drawer if equipped.



To install the Tray attach the Thumb Cleat (44686) and Front Bracket (44683) with the prongs facing outward using four 1/4" x 1/2" carriage bolts (16222) and four 1/4"-20 nuts. Bracket and cleat orientation should match the drawer.



When installing Tray onto Base Mount, the Thumb Cleat (44686) installs into the slots in Cross Brace B (44687). Shown here without Tray. Align the vertical parts of the Thumb Cleat with the slots and push into the slots. There is a slight interference to this fit.



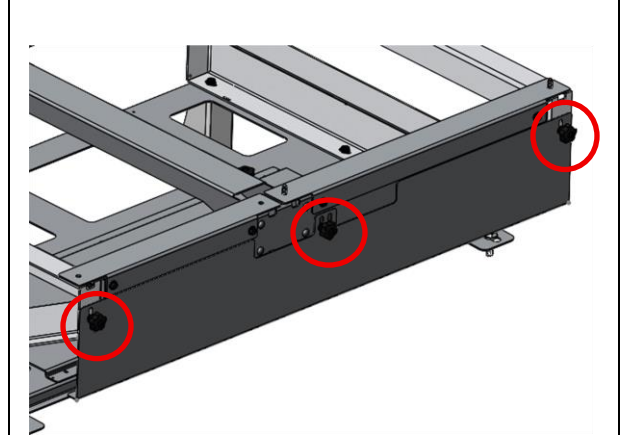
Using a rubber mallet and a block of wood to distribute the blows, seat the cleat by striking the highlighted areas alternating sides (Left, Right, Left, Repeat) until the Front Bracket (44683) is close to Cross Brace A (44688). **DO NOT strike without a wood block. This may damage the edge.** Once the Front Bracket (44682 / 44683) is close to Cross Brace A (44688) install two 1/4-20 bolts (16326) with washers (16122) and tighten.



**To Remove:** Remove two 1/4-20 bolts (16326) and two 1/4" washers (16122). Using a rubber mallet and a block of wood to distribute the blows, unseat the cleat by striking the block of wood as close to the corner of the tray as possible, alternating sides (Left, Right, Left, Repeat) until the Tray is free. **DO NOT strike without a wood block. This may damage the edge.**



Re-install OEM removable trunk floor.



Install trim panel (44680) with three knobs (16795) into threaded inserts in frame. Position panel near or in contact with removable trunk floor and tighten knobs.