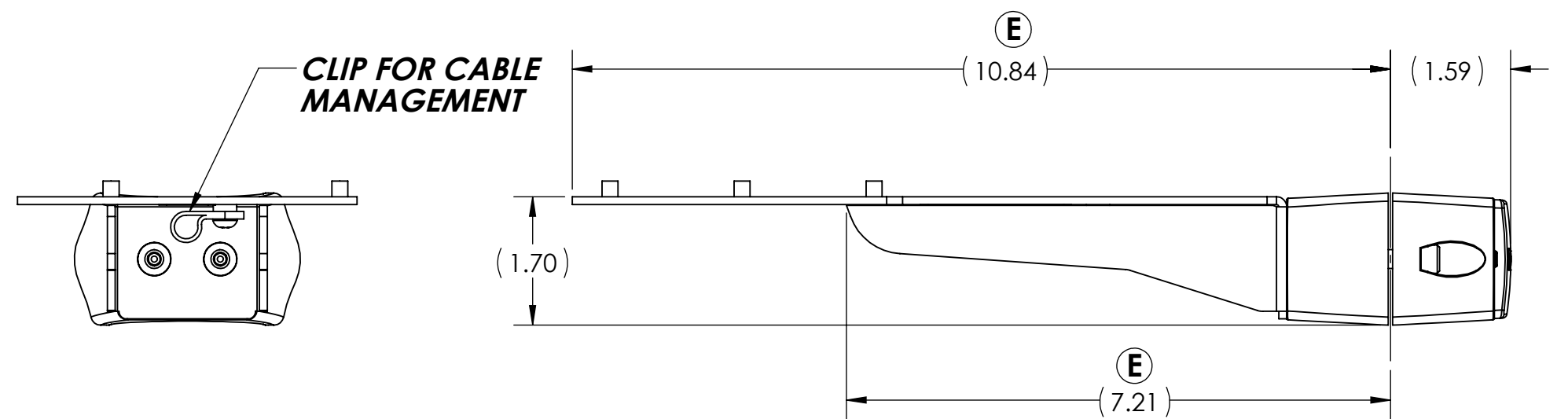
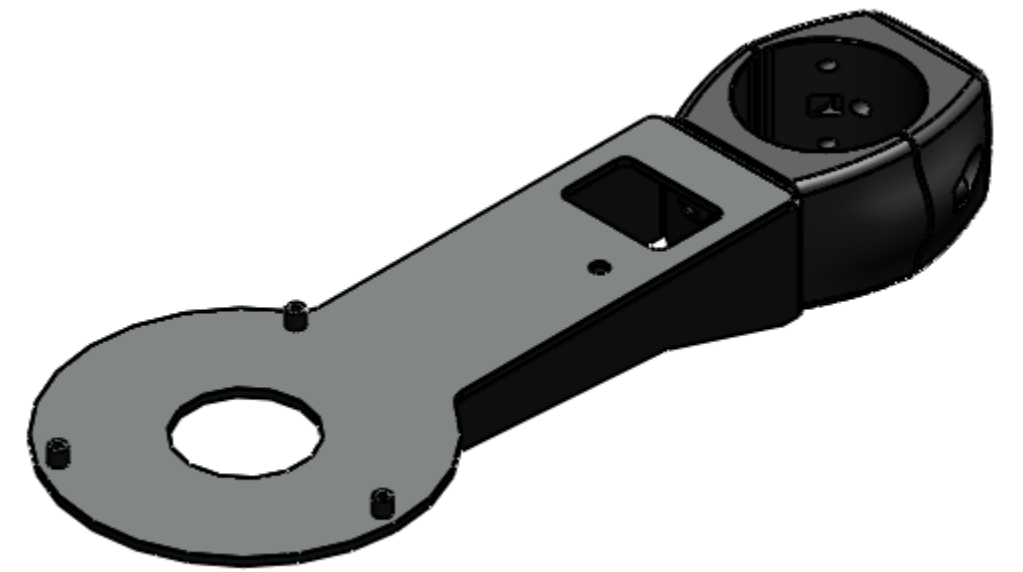
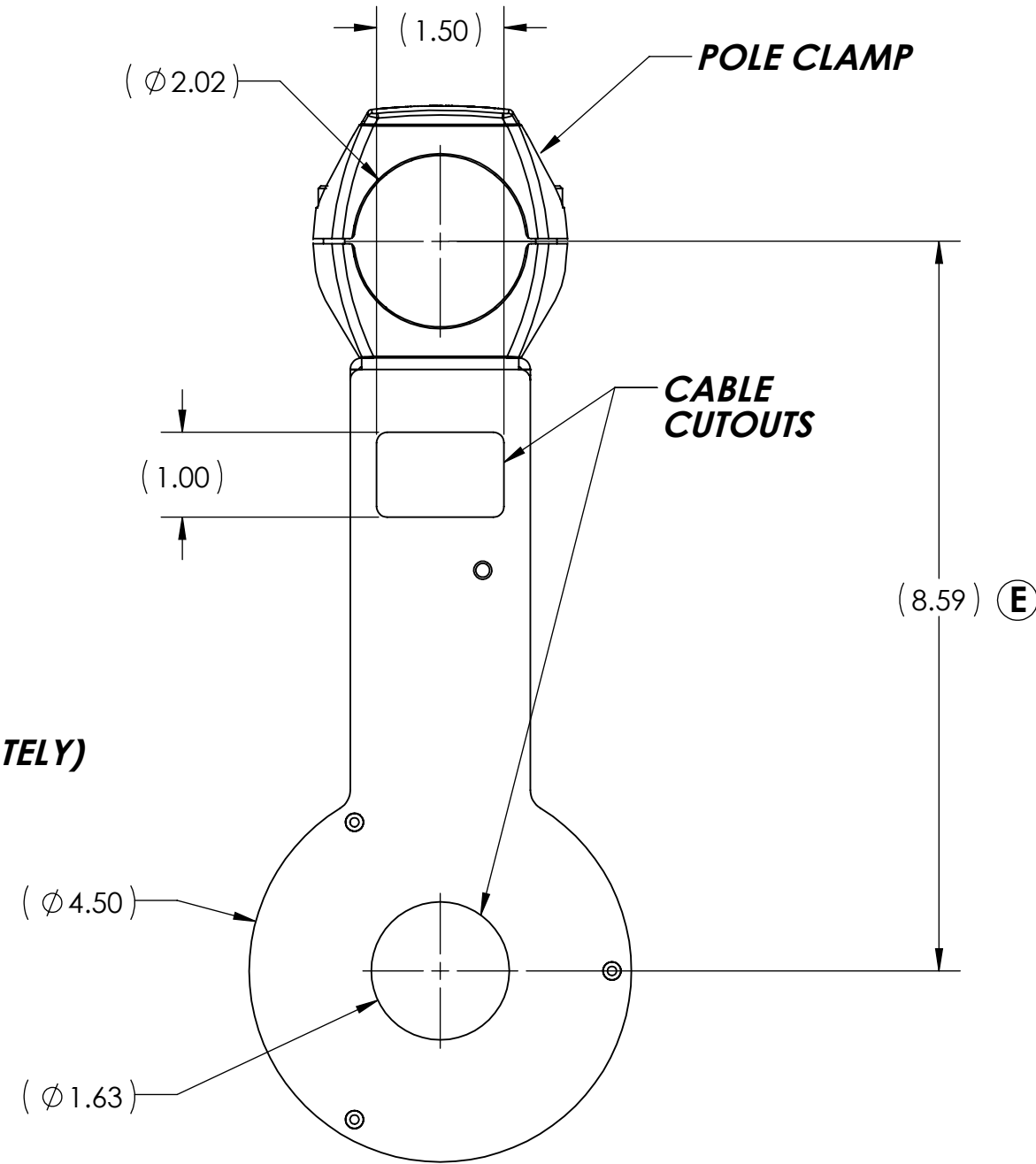
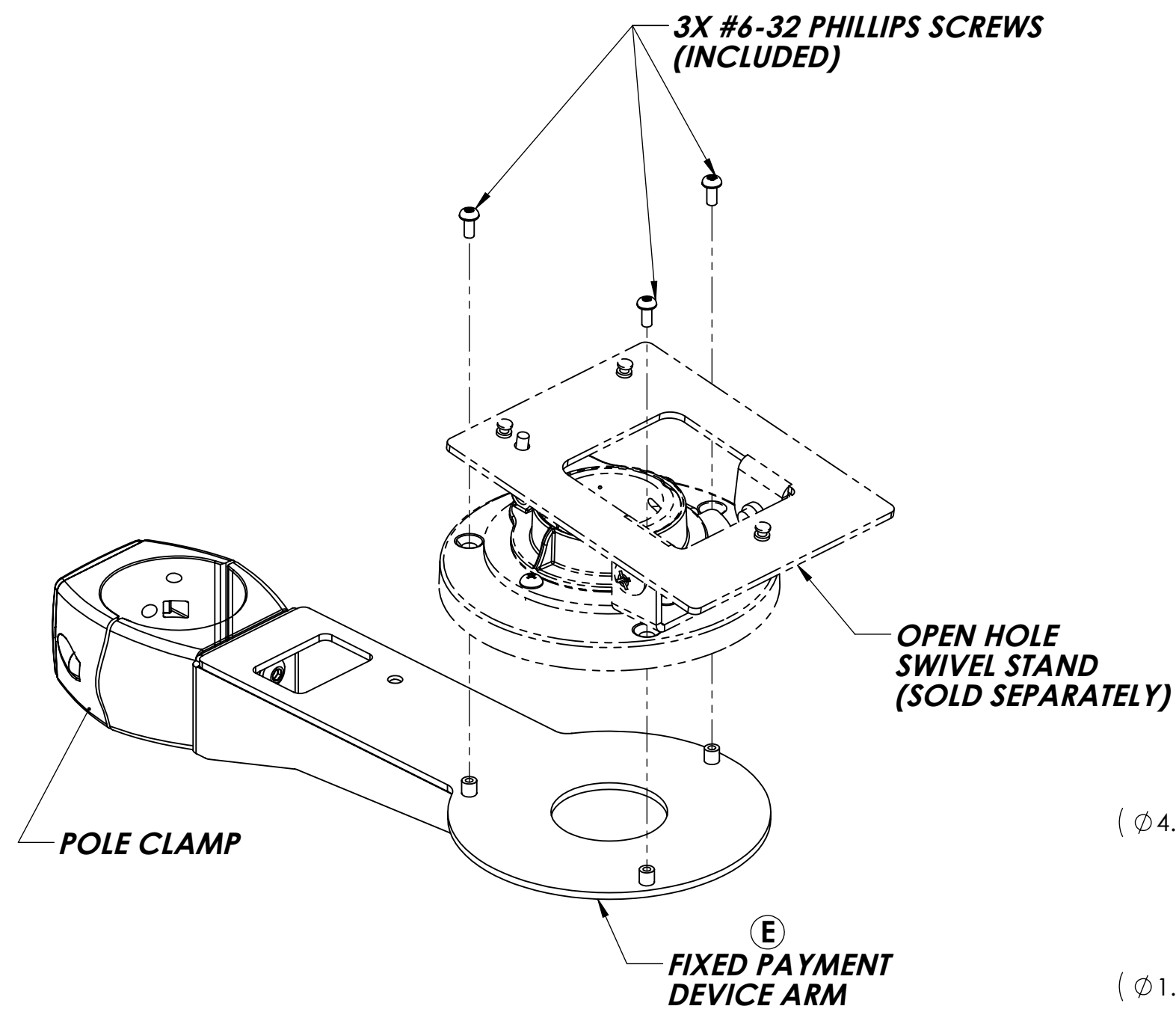



# REVISION E CHANGES = E

(4 CHANGES NOTED ON DRAWING)



REV.	DESCRIPTION	DATE	BY	CHK'D
E	REVISED FIXED PAYMENT DEVICE ARM TO NEW DESIGN, DIM 8.59 WAS 7.75, 7.21 WAS 6.37, 10.84 WAS 10.00.	04/09/14	JEB	
D	REVISED FIXED PAYMENT DEVICE ARM TO NEW DESIGN, DIM 1.70 WAS 1.83, 6.37 WAS 6.48.	01/22/14	JEB	

DRAWN	M.WOODS	 <small>14451 Ewing Ave, Suite 100 Burnsville, MN 55306 Phone: 952-767-1005 Fax: 952-767-1006</small>	
DATE	01/18/2011		
CUSTOMER APPROVAL (SIGNATURE REQUIRED):		TITLE	TECH TOWER, PAYMENT DEVICE ARM, TO MOUNT OPEN HOLE SWIVEL STAND, POLE CLAMP
DATE		SIZE	C
		DWG. NO.	367-2009-02
		REV.	E
		SHEET	1 OF 1

**TechTower™**  
CUSTOMER VERIFICATION AND AUTHORIZATION

THE INFORMATION CONTAINED IN THIS DRAWING IS THE SOLE PROPERTY OF ENGINEERED NETWORK SYSTEMS AND REPRODUCTION IN PART OR IN WHOLE WITHOUT THE WRITTEN PERMISSION OF ENGINEERED NETWORK SYSTEMS IS PROHIBITED.