

INSTALLATION INSTRUCTIONS

C-TTP-BLZR-101

Hinge Up Equipment Mounting Platform for 2024-2026 Chevy Blazer EV & PPV

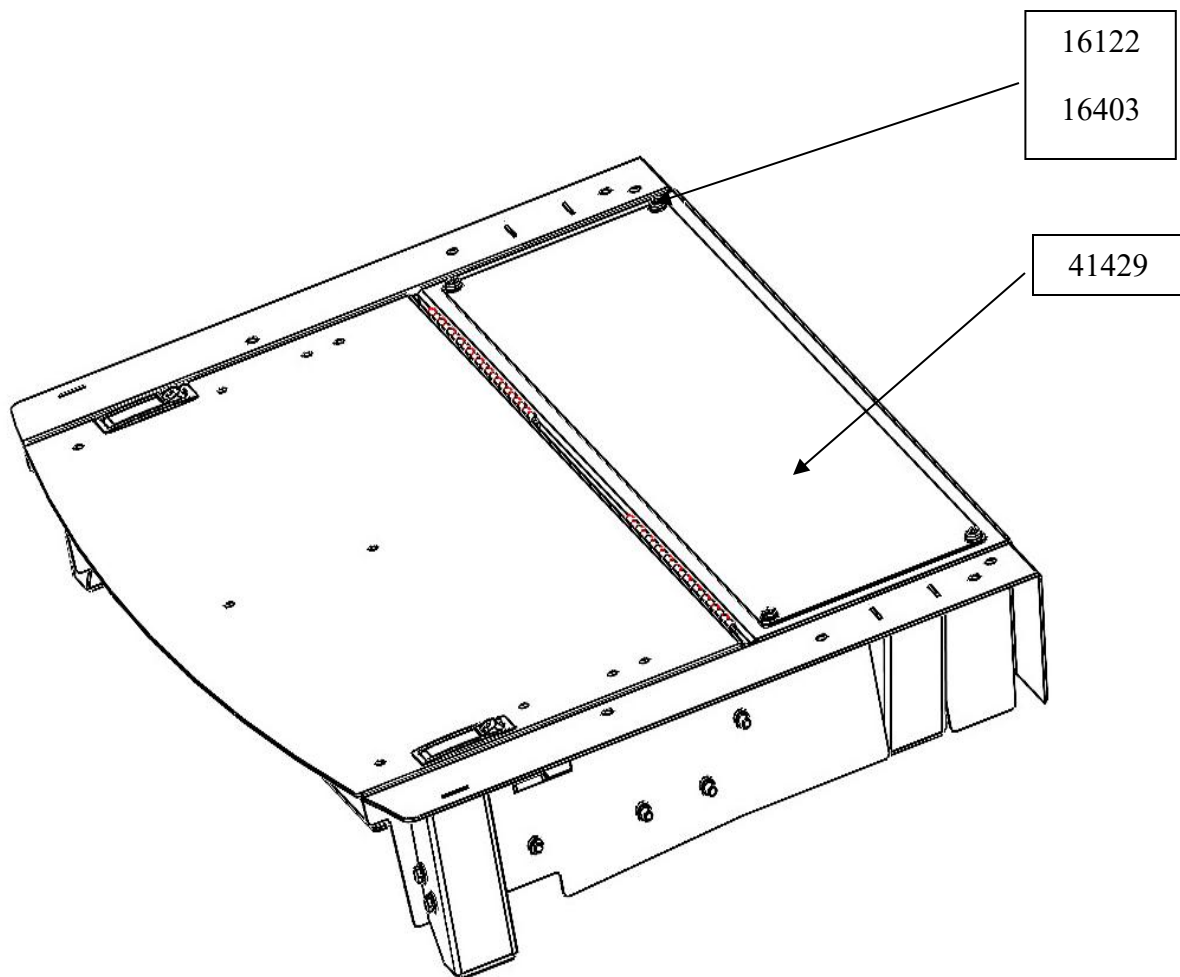
TOOLS REQUIRED:

Standard & Metric Socket Set

Standard wrench set

PARTS and MOUNTING HARDWARE:

<u>QTY</u>	<u>DESCRIPTION</u>	<u>PART#</u>
1	Rear cover bracket	41429
4	¼ Flat washer	16122
4	¼-20 x ½ Philips pan head machine screw	16403



Always!

- Read all instructions before installing any Havis, Inc. products.
- **Check for obstructions (Wires, brake lines, fuel tank, etc.) before drilling any holes!**
 - Use hardware provided with install kit



Remove floor



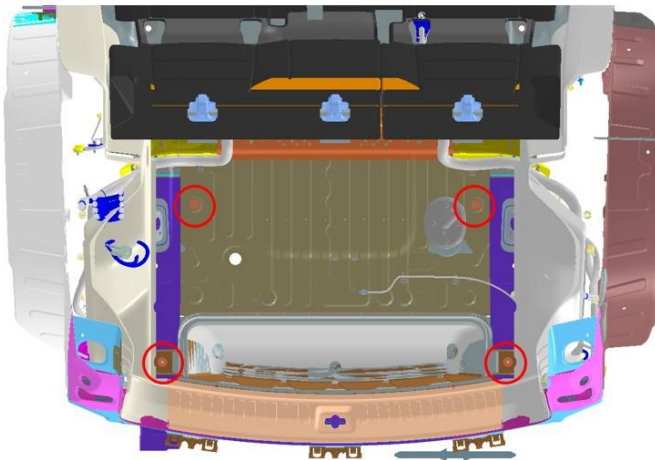
Locate (4) OEM mounting nuts and remove
Save these for later



Remove plastic insert



Remove carpet liner



Locate (4) mounting studs and line up slots



Reuse OEM mounting nuts and tighten down
Place rear cover bracket behind hinge up tray and
tighten with provided hardware